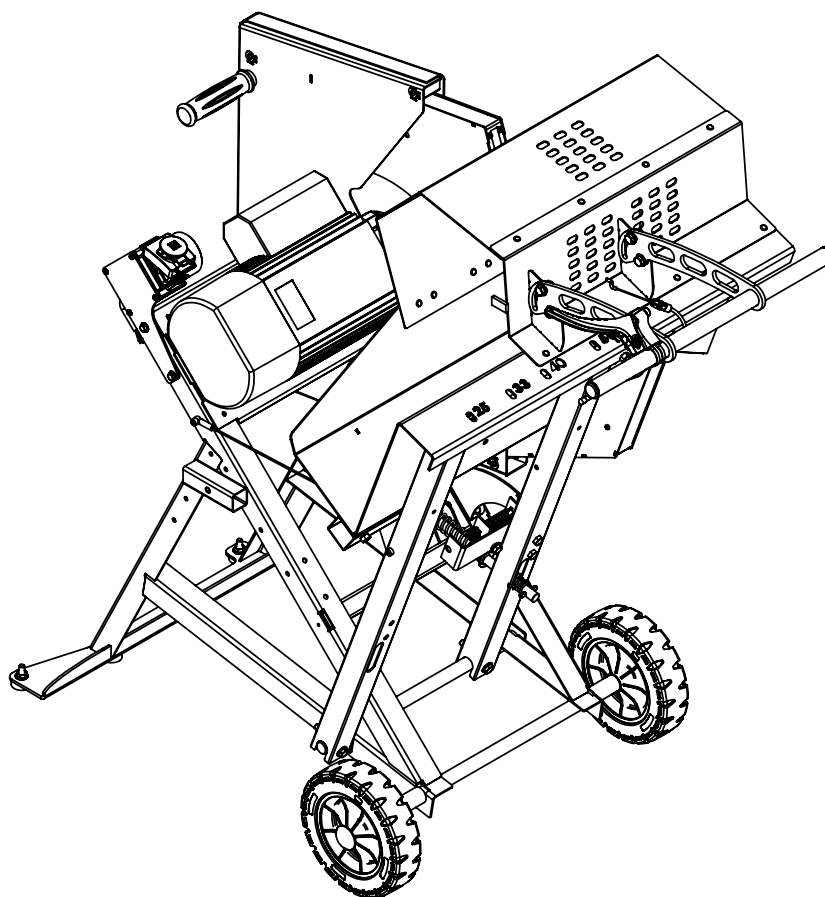
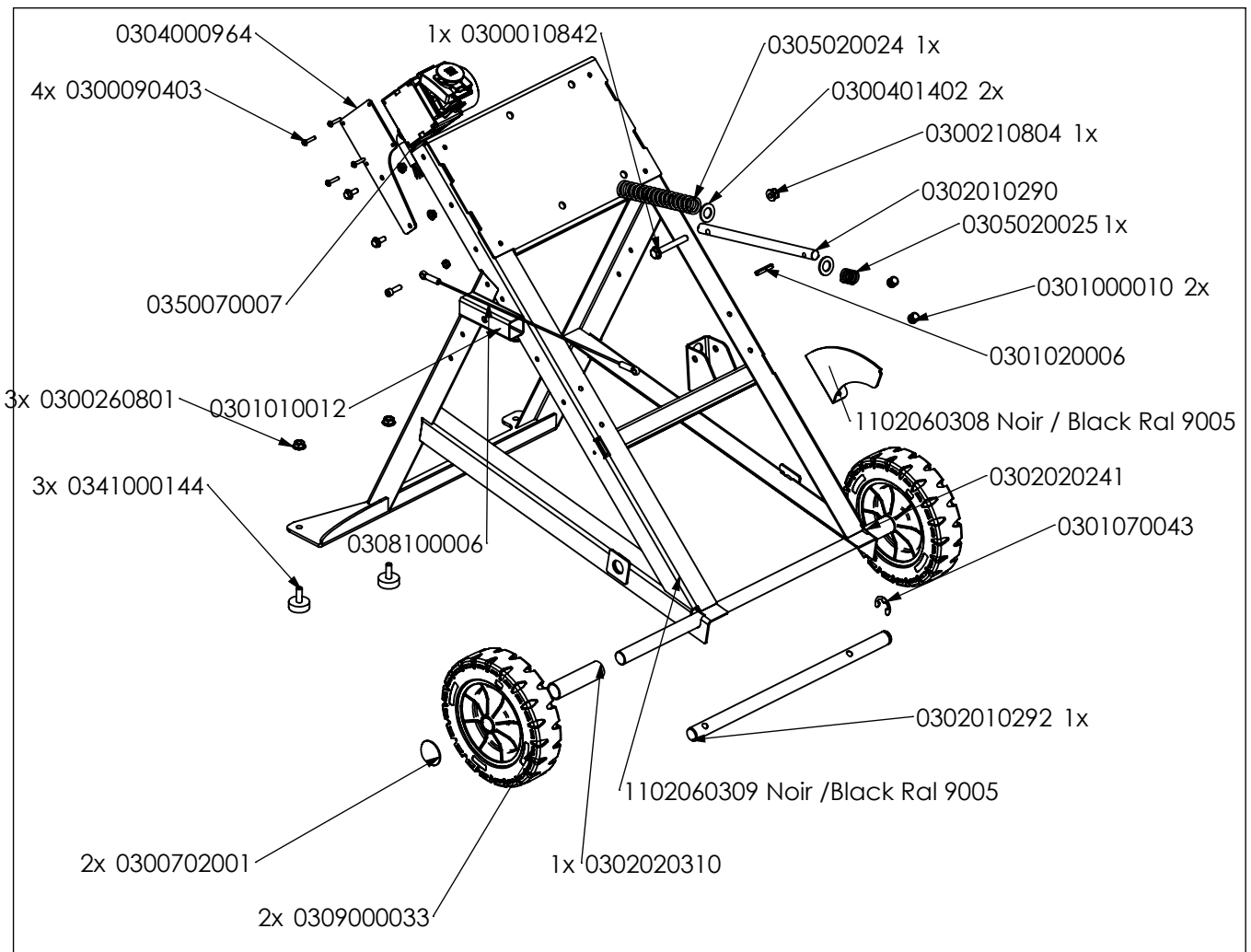


# Pièces de rechange Spare parts list

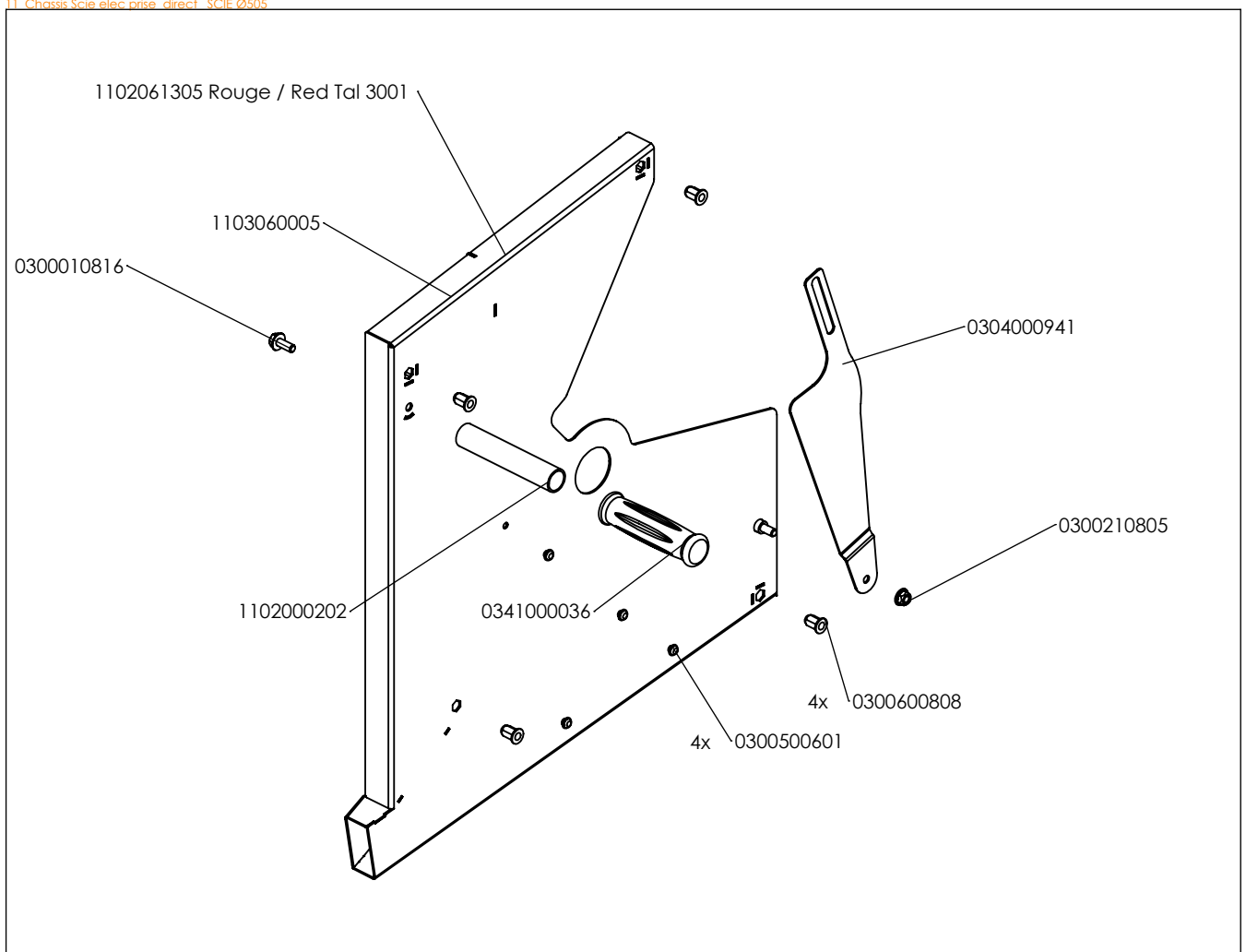
**1100\*\*06\*\***

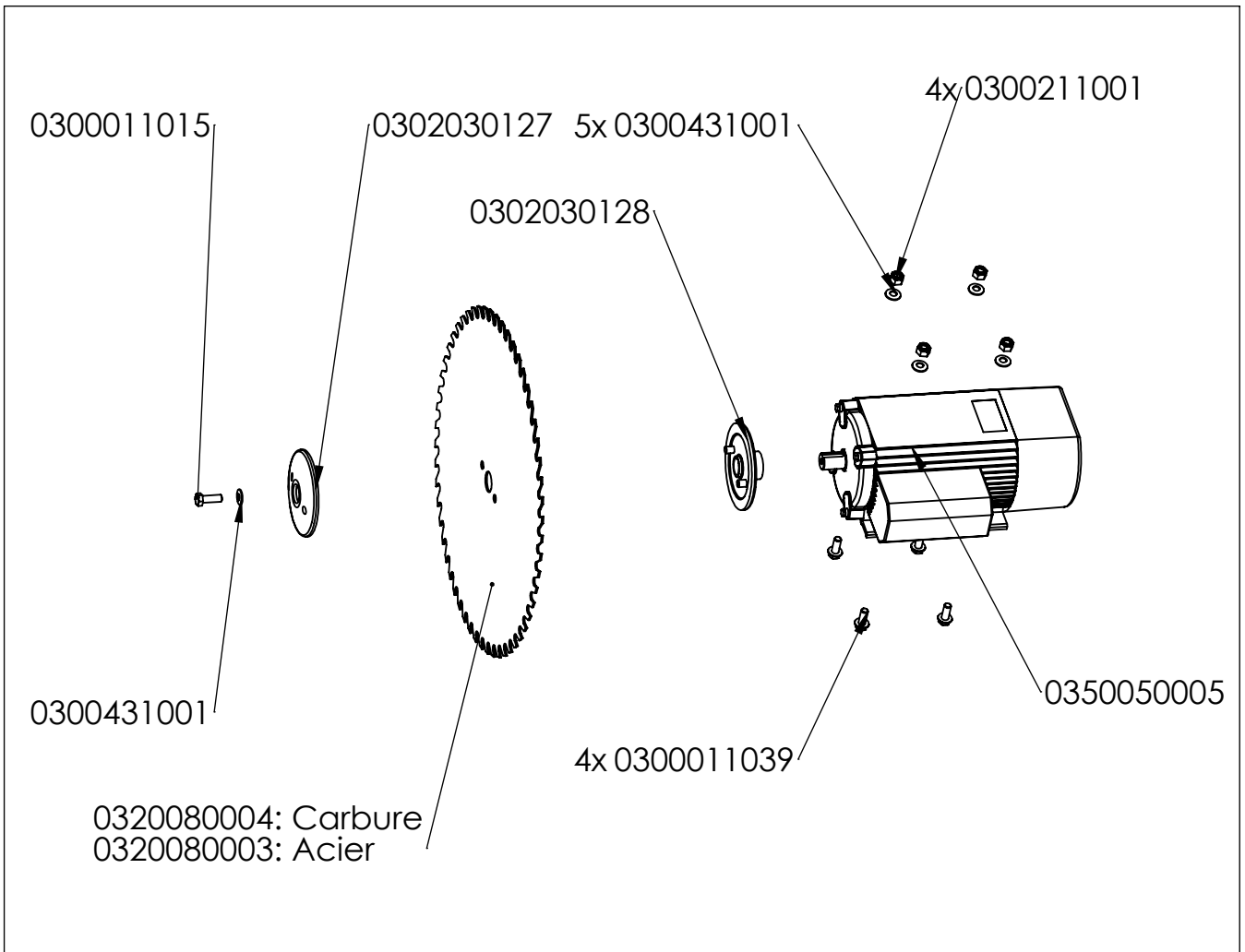


**SCIE A BUCHES  
LOG SAW**

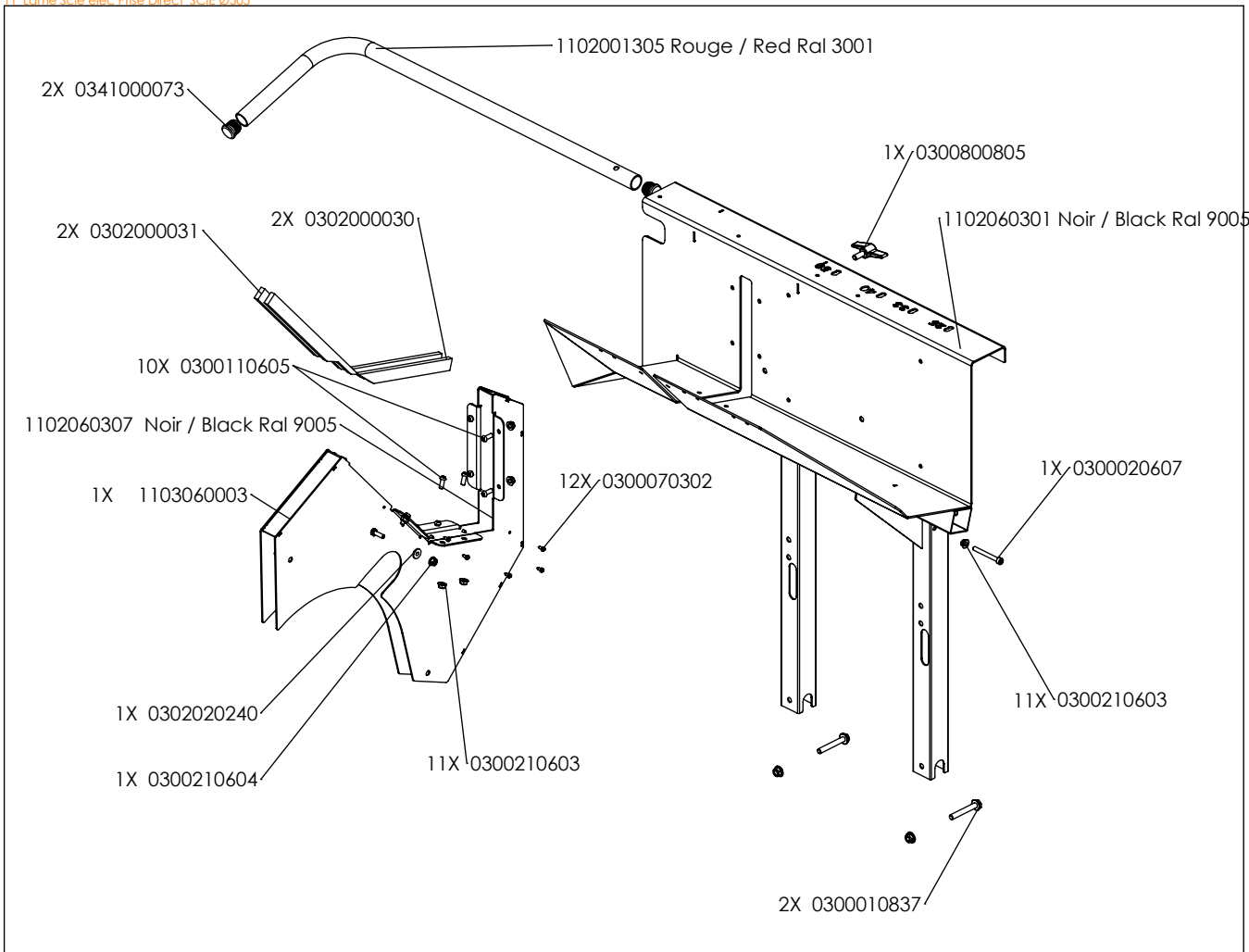


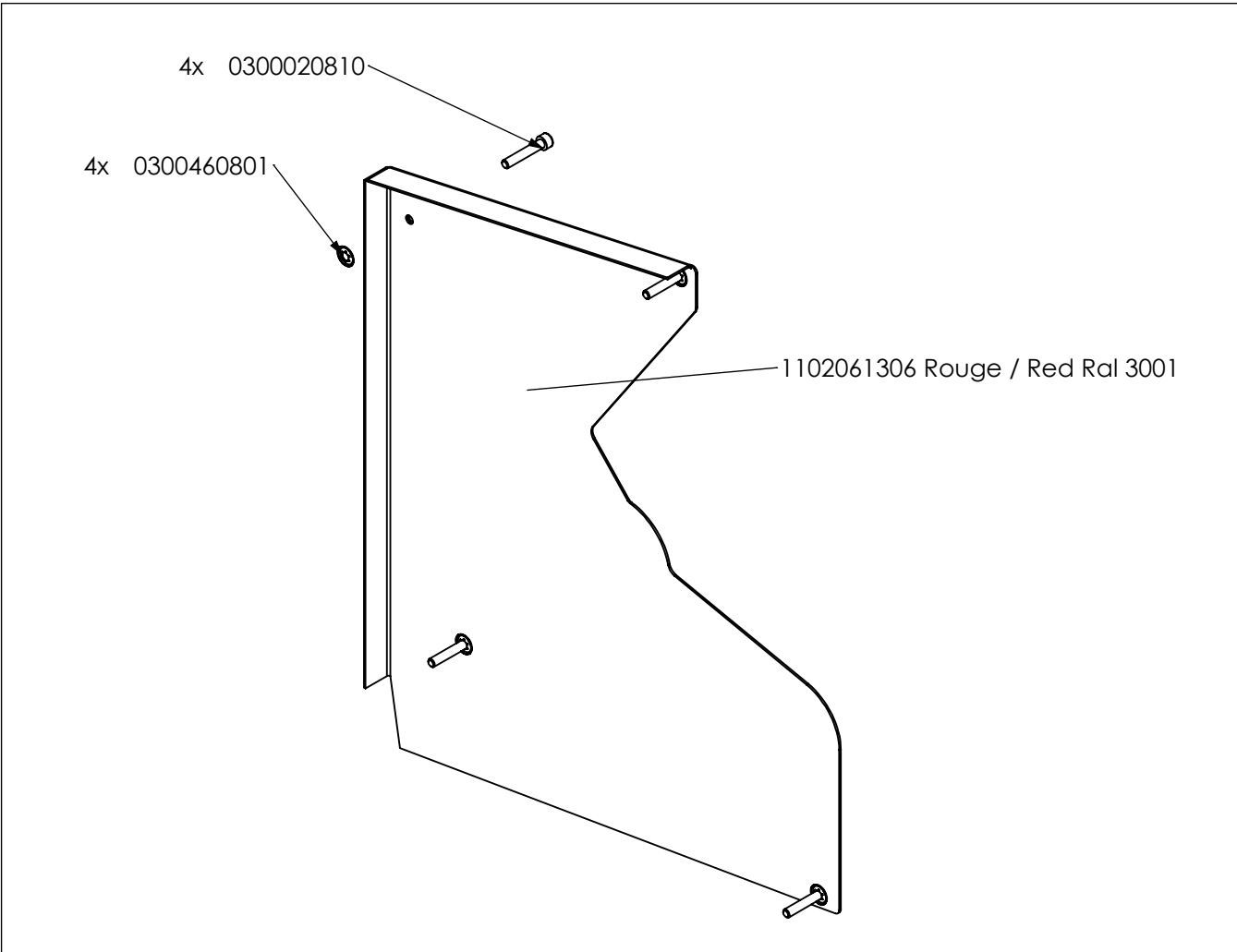
11\_Chassis\_Scie\_elec\_prise\_direct\_SCIE\_0505





11\_Lame\_Scie\_elec\_Prise\_Direct\_SCIE\_0505





11\_Capot Lame Mobile Ø505\_Défaut

