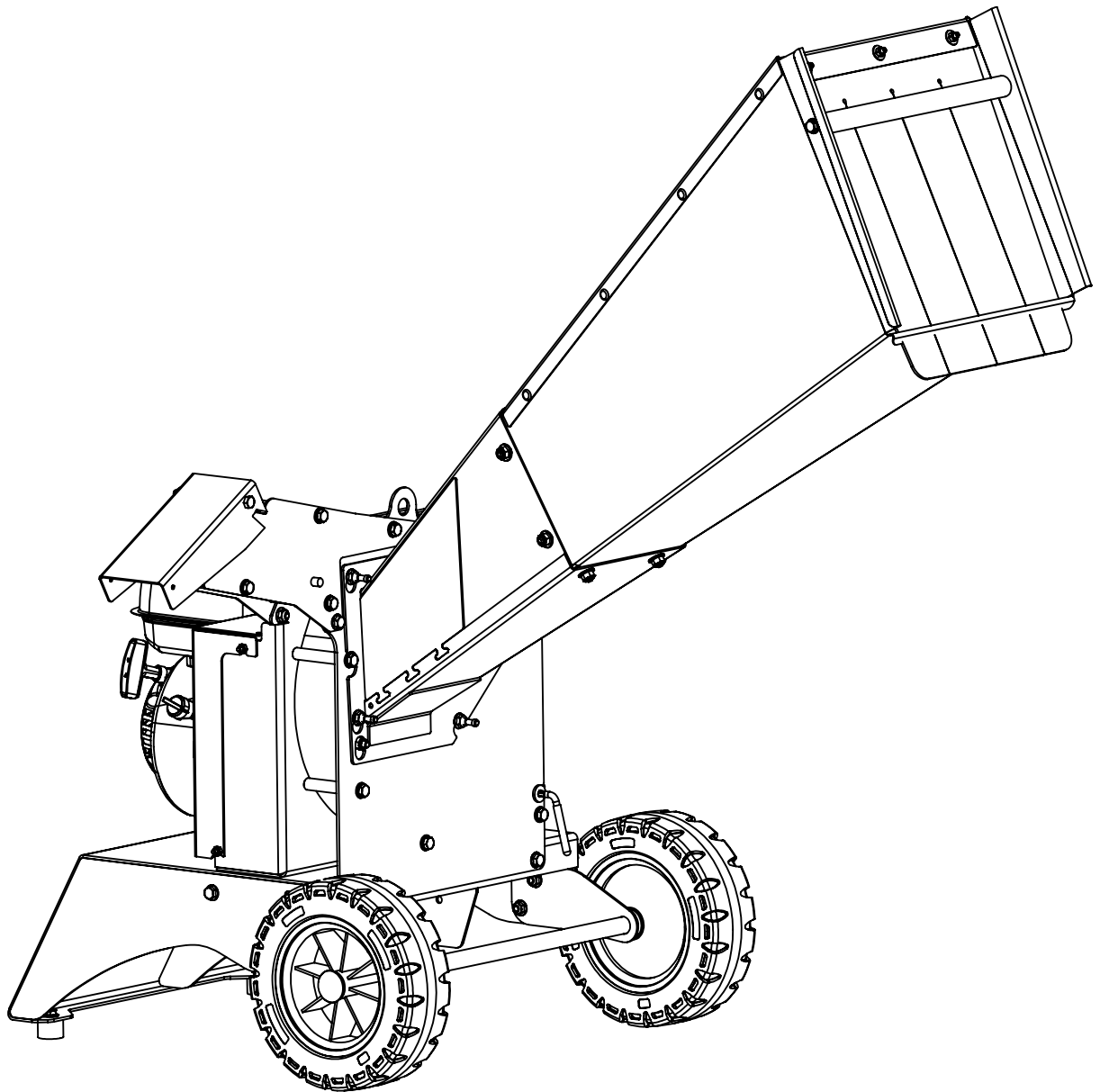
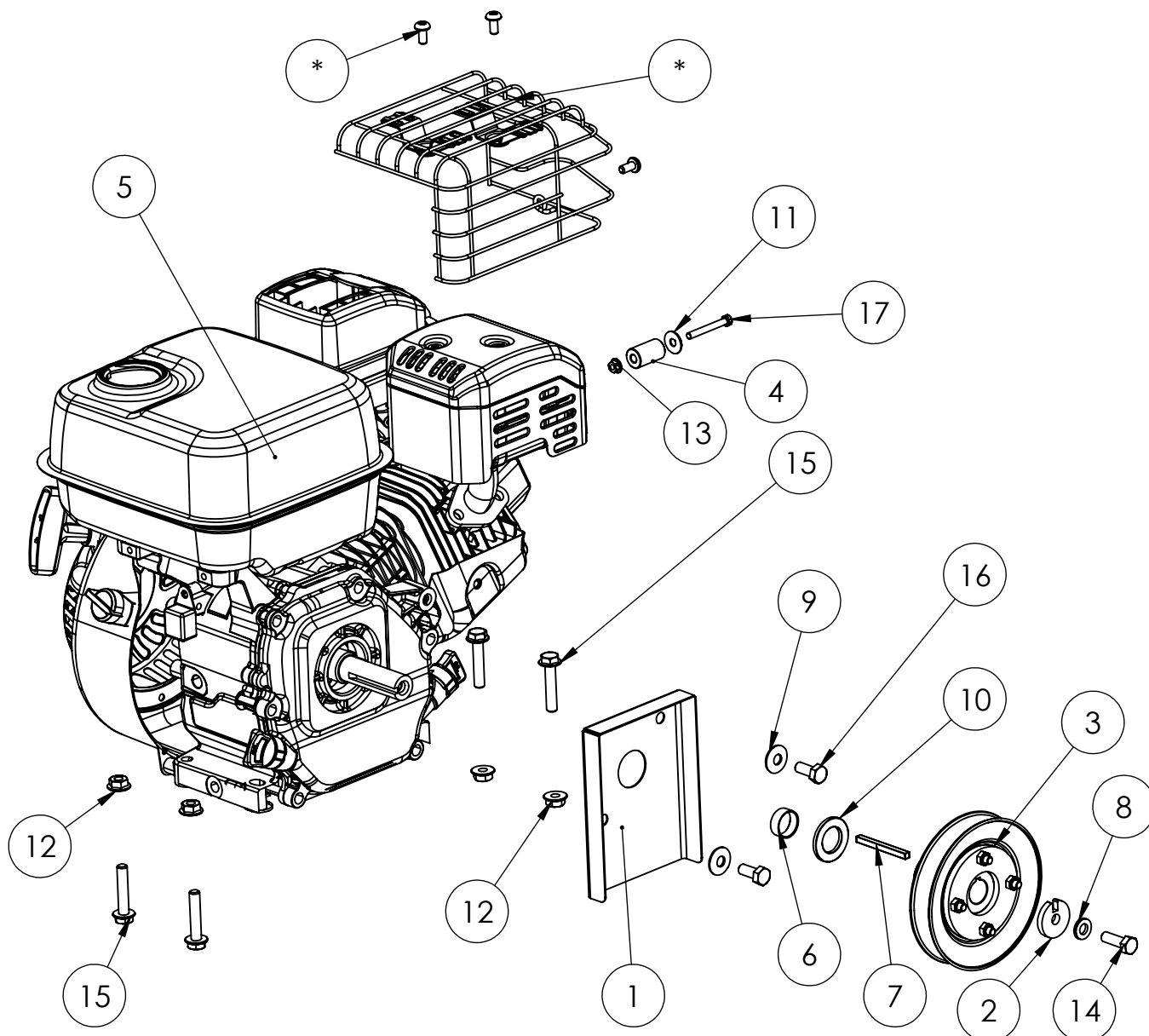


Pièces de rechange Spare parts list

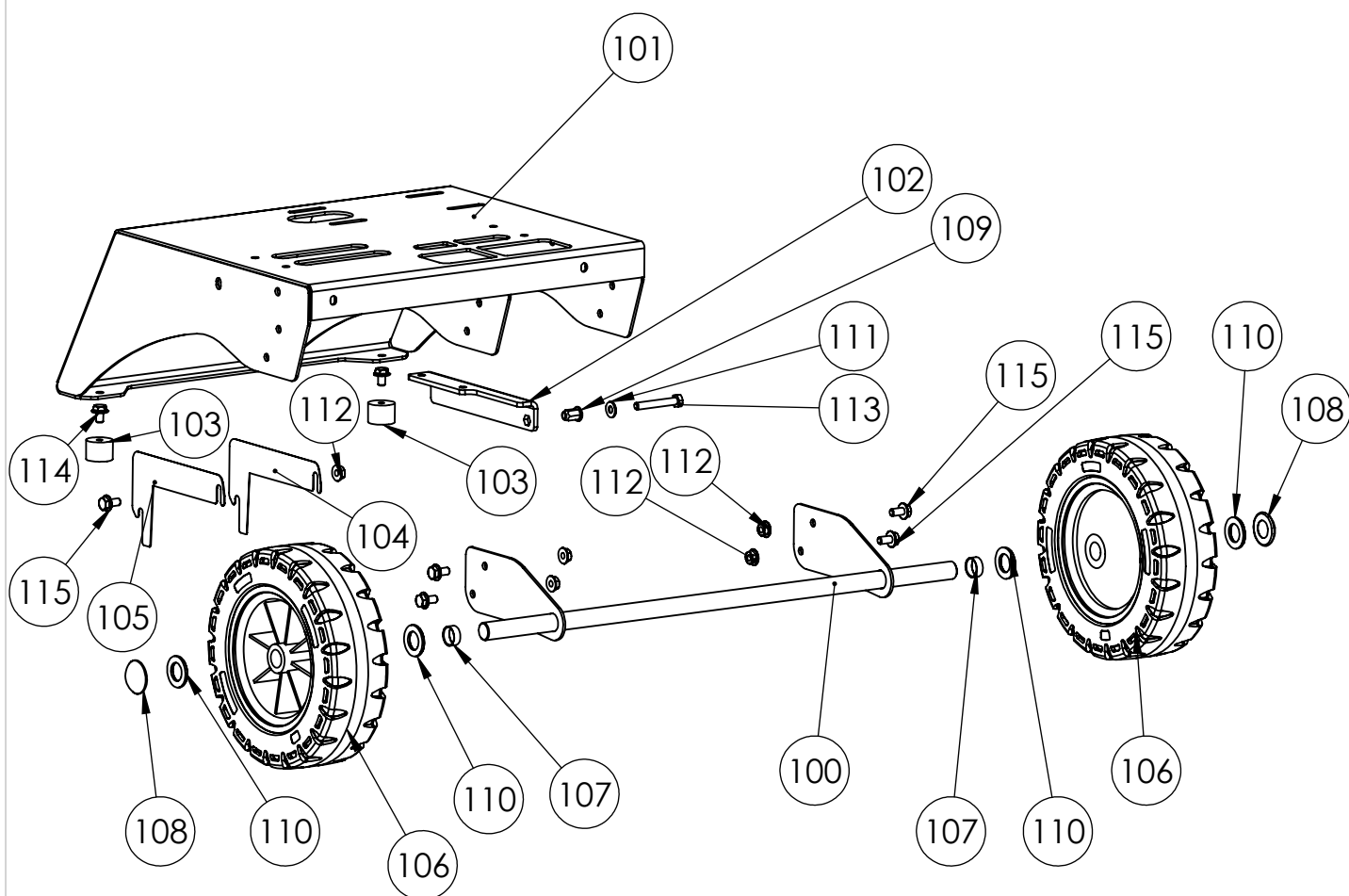
KL0007****



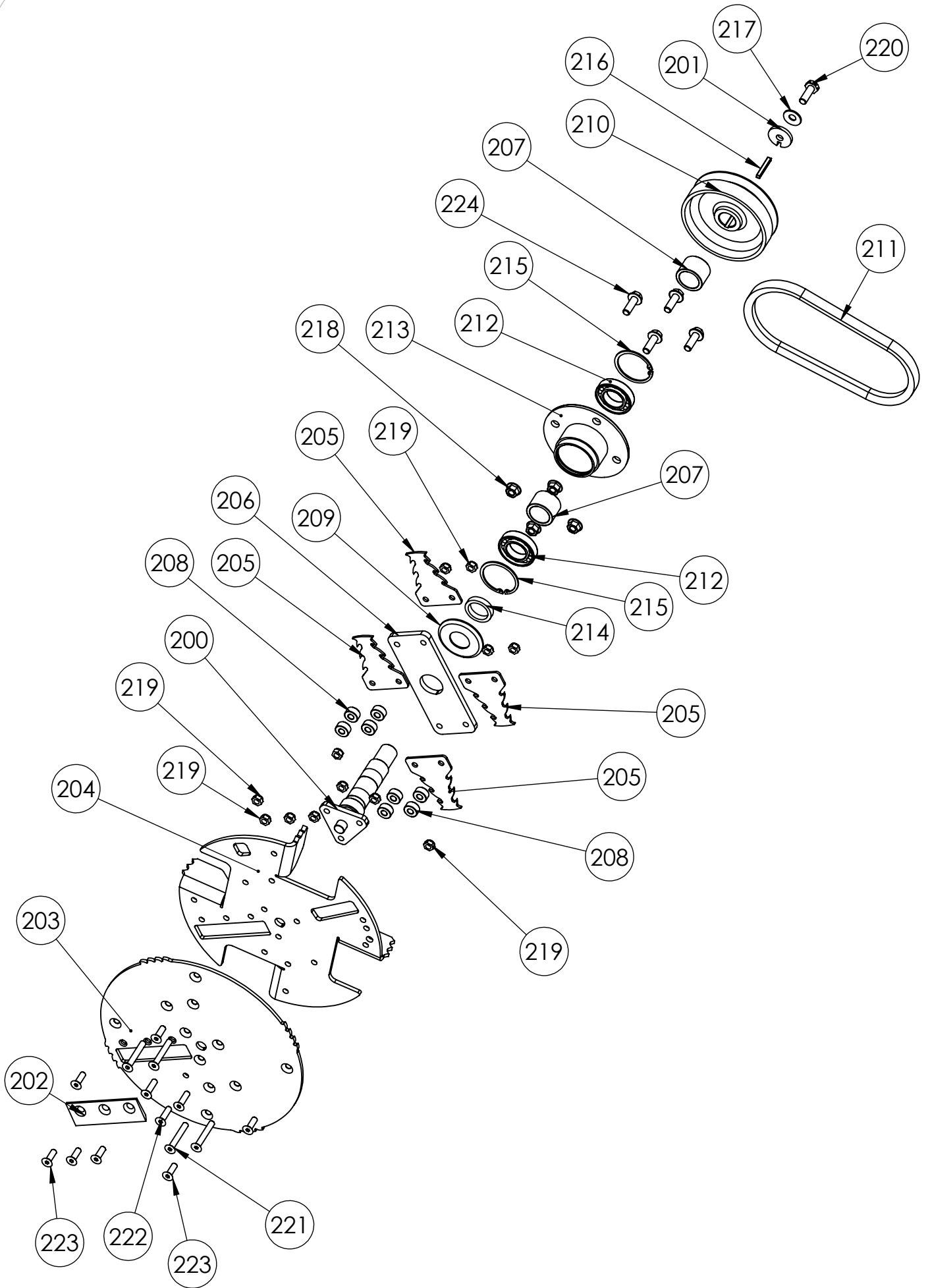
*BROYEUR DE VEGETAUX
GARDEN SHREDDER*



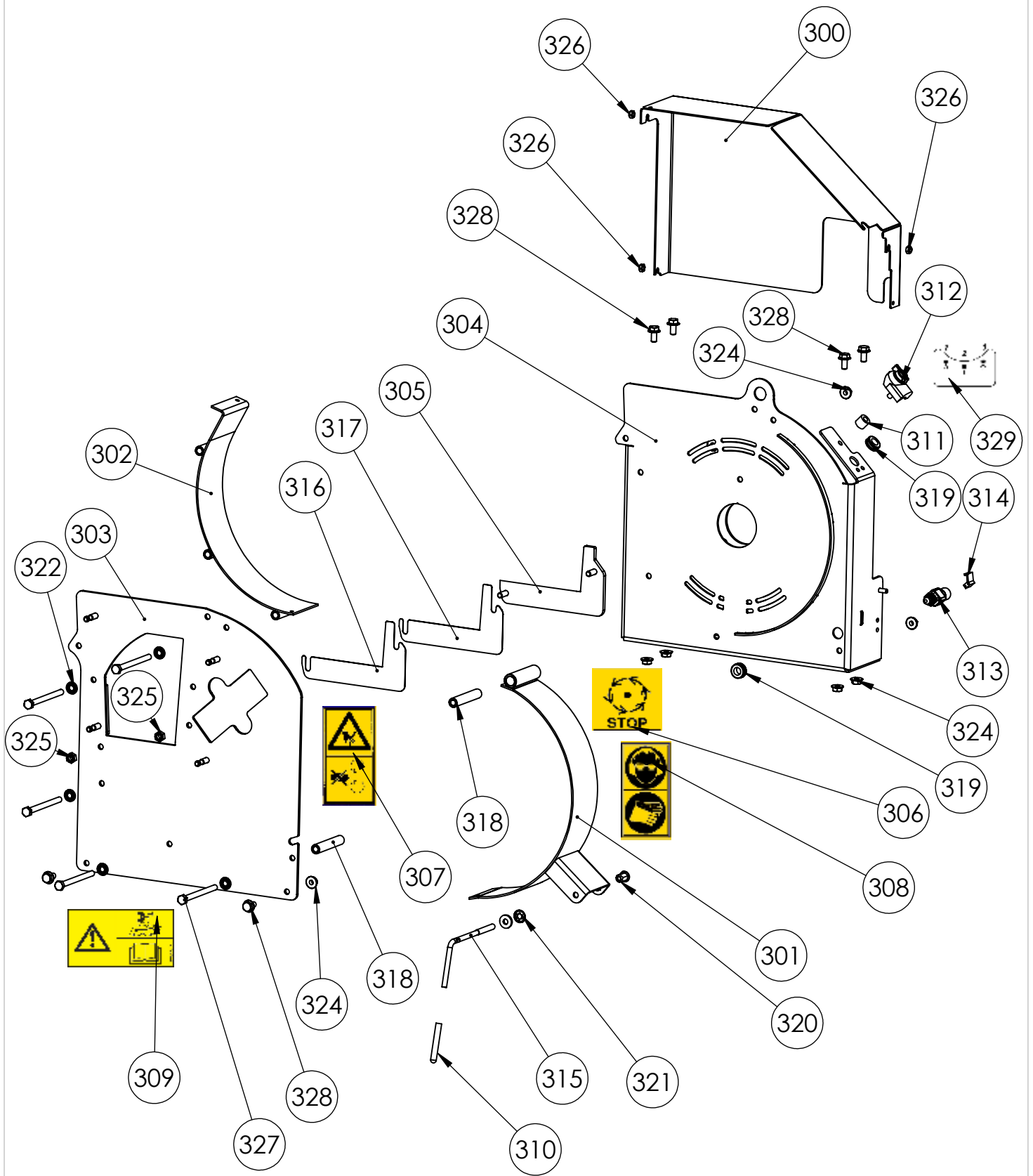
Rep N°	Ref	Désignation	Description	Qté/ R210	Qté/ GP160
1	KL02071603	CARTER CAPOT COURROIE NOIR	BLACK COVER	1	1
2	KL02040205	RONDELLE POULIE MOTEUR	ENGINE PULLEY WASHER	1	1
3	KL01040001	POULIE MOTEUR Ø 110	MOTOR PULLEY Ø 110	1	1
4	K302020137	ENTRETOISE Ø 6.2 x 16 x 27	SPACER Ø 6.2 x 16 x 27	1	-
5	0330011043	HONDA GP 160		-	1
5	0330091003	RATO R210BH		1	-
6	0302020220	ENTRETOISE MOTEUR	ENGINE SPACER	1	1
7	0301040035	CLAVETTE 4.76h9 x 4.76h9 x 54	COTTER 4.76 x 4.76 x 54	1	1
8	0300480802	RONDELLE NORD-LOCK Ø8 SP	WASHER NORD-LOCK Ø8	1	1
9	0300430802	RONDELLE CONTACT M8 LARGE	LARGE WASHER M8	2	2
10	0300402001	RONDELLE PLATE 21x36x3z	WASHER 21x36x3z	1	-
11	0300400601	RONDELLE 6 X 18 X 1.2 Z	Washer M6x18x1.2 Z	1	-
12	0300260801	ECROU HM 8 ZEMB CR DIN 6923-8	NUT H M8 Z NOTCHED SHOULDER	4	4
13	0300260501	ECROU HM 5 ZEMB CR DIN 6923-8	NUT H M5 Z NOTCHED SHOULDER	1	-
14	0300060501	VIS 5/16 TH 24 UNF LONG 25 Z	SCREW 5/16 TH24 LG 25MM Z	1	1
15	0300010817	VIS H 8x40 Z EMB CR DIN 6921	SCREW H M8 X 40	4	4
16	0300010806	VIS H 8 X 20 Z DIN 933 8/8	Screw HM 8x20 z	2	-
16	0300060504	VIS 5/16 TH24 UNF3/4(LG19)E	SCREW 5/16 TH24 UNF3/4 LG19	-	2
17	0300010513	VIS H M5x40	SCREW 5x40 Z	1	-
18	0300080602	VIS TOLE TCB POZI 6,3 X 13 Z	POZIDRIVE SCREW M6x13Z	-	3
19	0330012009	GRILLE ECHAP GP160	EXHAUST GRILL GP160	-	1



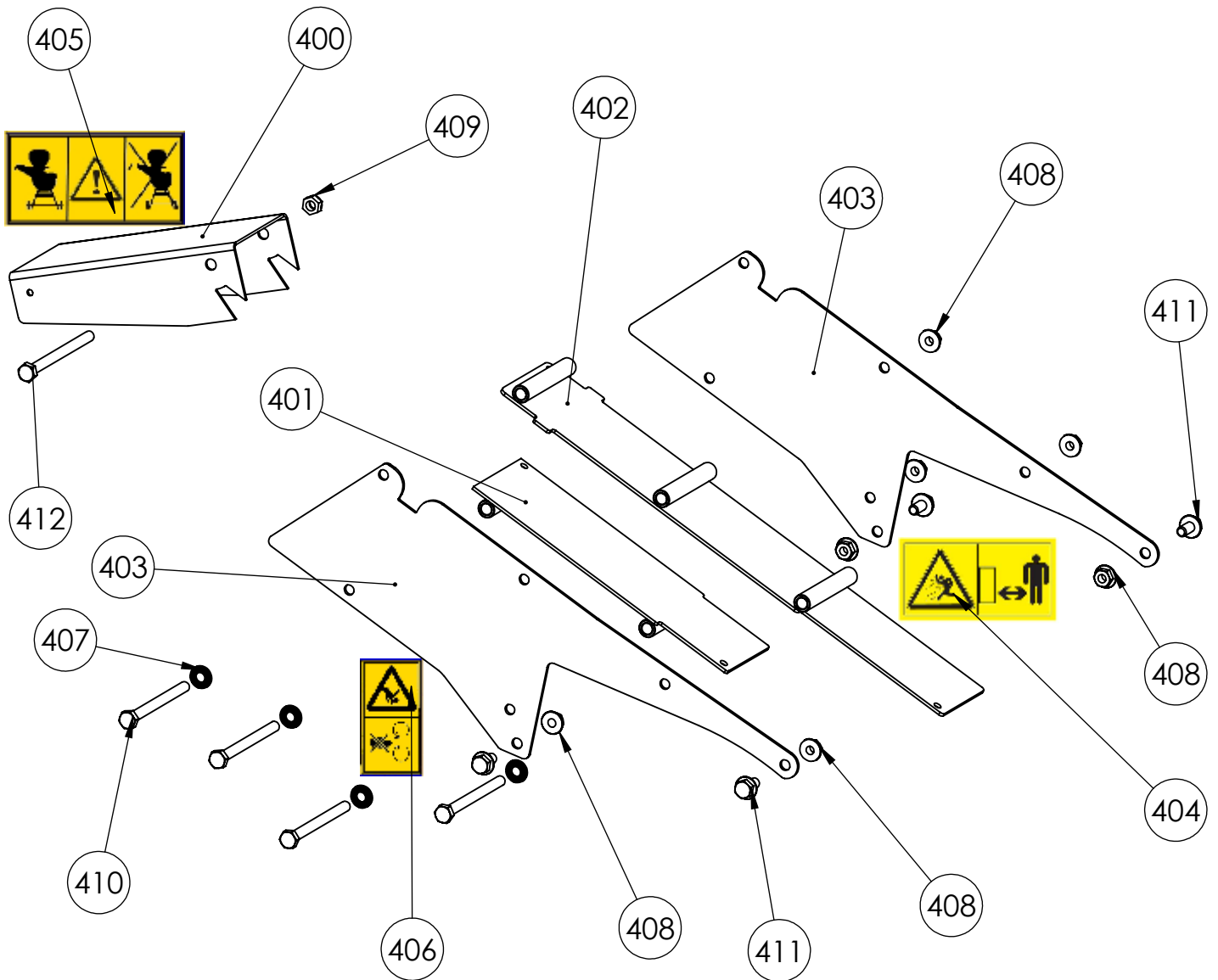
Rep N°	Ref	Désignation	Description	Qté
100	KL02071602	AXE DE ROUE NOIR	BLACK WHEEL AXLE	1
101	KL02071601	CHASSIS NOIR	BLACK FRAME	1
102	KL02040201	TENDEUR DE COURROIE	BELT TENSIONER	1
103	K342000017	PIED SILENTBLOC Ø30 H22	ANTIVIBRATION BASE Ø 30 H22	2
104	K304000766	CALE EP 0.5 CONTRE COUTEAUX	WEDGE THICKNESS 0.5	1
105	K304000765	CALE EP 1 CONTRE COUTEAU	WEDGE THICKNESS 1	1
106	0309000069	ROUE DIAM250 ALS 20 NOIR	RT WHEEL Ø250 BORE 20	2
107	0302020220	ENTRETOISE MOTEUR	ENGINE SPACER	2
108	0300702001	ENJOLIVEUR DIAM 20 CAB 20/38	Trim stopper Ø20	2
109	0300600802	INSERT A SERTIR HEX M8 OUVERT	Insert M8	1
110	0300402001	RONDELLE PLATE 21x36x3z	WASHER 21x36x3z	4
111	0300400802	RONDELLE PLATE M 8X18X1.5 Z	PLATE WASHER M 8X18X1.5 Z	1
112	0300260801	ECROU HM 8 ZEMB CR DIN 6923-8	NUT H M8 Z NOTCHED SHOULDER	5
113	0300090808	VIS TH 8 x 55 ISO 4017 ENDUITE	SLOWED SCREW 8 x 55	1
114	0300010852	VIS-TH-EMB CR-8.8-CLÉ13-M8X12	SCREW HM 8x12 NOTCHED SHOULDER	2
115	0300010815	VIS H 8x16 Z EMB CR DIN 6921	SCREW H M8X16 Z	5



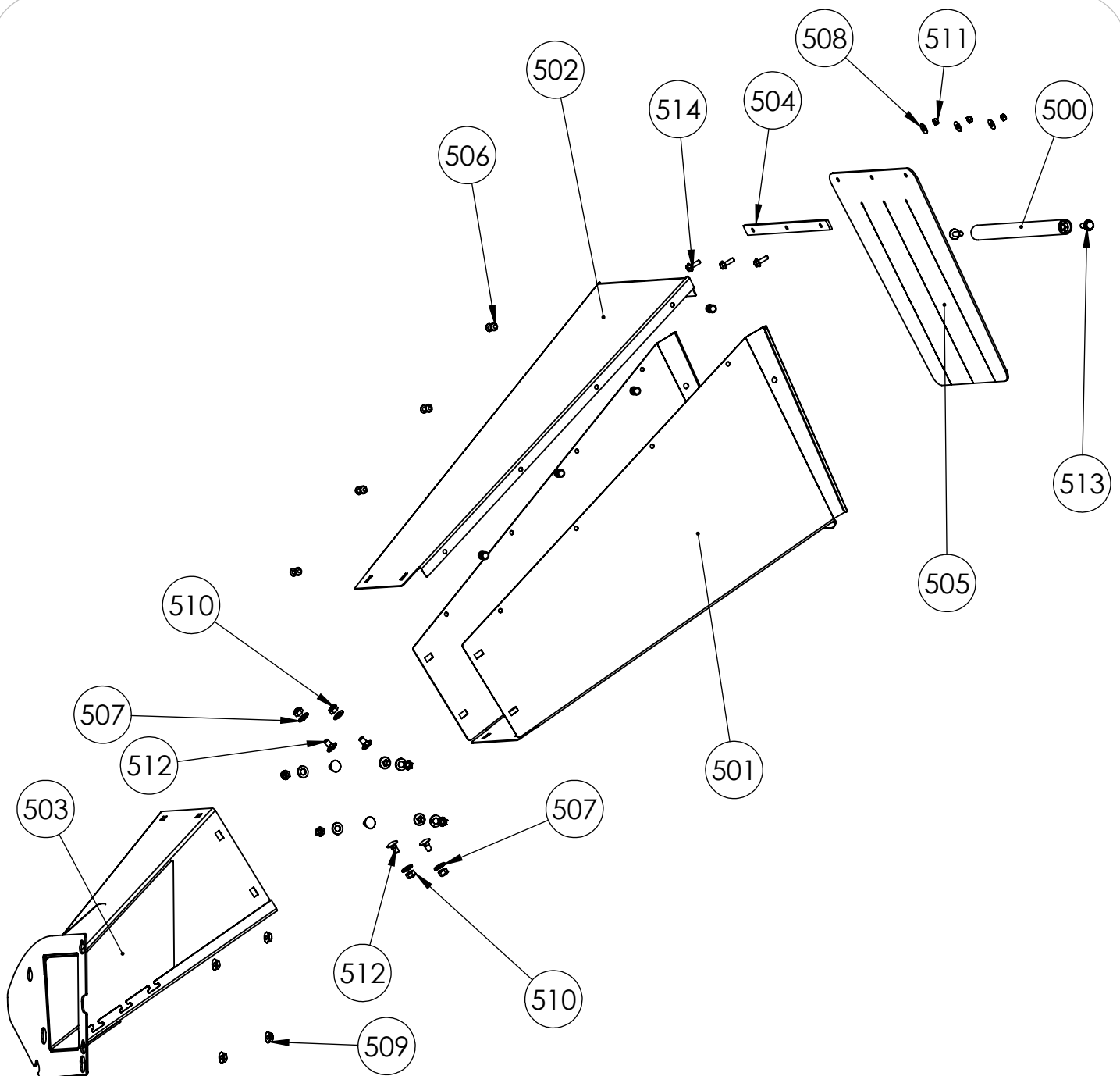
Rep N°	Ref	Désignation	Description	Qté
200	KL03070004	ARBRE ROTOR	ROTOR SHAFT	1
201	KL02070201	RONDELLE POULIE ROTOR ZN	ROTOR PULLEY WASHER	1
202	K320020036	COUTEAU	KNIFE	1
203	K304000793	DISQUE ROTOR	ROTOR DISC	1
204	K304000792	DISQUE ARRIERE ROTOR	REAR ROTOR	1
205	K304000791	COUTEAUX ARRIERE	REAR KNIFE	4
206	K304000790	PLAT FIXATION COUTEAUX ARRIERE	REAR KNIFE HOLDER	1
207	K302020150	ENTRETOISE 30.2 x 40 x 29	SPACER 30.2 x 40 x 29	2
208	K302020034	ENTRETOISE TOLE PROTECTION SCARIF	ROUND SPACER	8
209	5504000032	RONDELLE PROTEC ARBRE COUP	Cup shaft protection washer	1
210	0306060012	POULIE COUPELLE L/GT/GTP	PULLEY	1
211	0306030126	COURROIE B24	BELT B24	1
212	0306010093	ROULEMENT 6006 2 RS	BEARING 6006 2RS	2
213	0302030025	PALIER COUPELLE xPUB Lx F	Blade guard bearing	1
214	0302020043	RONDELLE LAME EP8 ZN	Spacer 40 x 30,5 x 8	1
215	0301070009	CIRCLIPS INTERIEUR 55 DIN472-5	INTERNAL RETAINING RING Ø55	2
216	0301040055	CLAVETTE 5h9 X 5h9 X 39	Key 5x5x39	1
217	0300431002	RONDELLE CONTACT M 10 LARGE	WASHER D 10	1
218	0300261001	ECROU HM 10 ZEMB CR DIN 6923	Nut H M10 notched shoulder	4
219	0300210802	ECROU FREIN M 8 Z DIN 985/8	BLOCKING NUT HM 8 Z DIN 985/8	14
220	0300091006	VIS A GAUCHE TH 10 x 30 8.8ZN	SCREW TH 10 X 30 ZN LH	1
221	0300030806	VIS TF HC 8 X 55 Z DIN 10.9	SCREW TF HC 8 X 55 Z DIN 10.9	4
222	0300030805	VIS TF HC 8 X 30 10.9 ZN	SCREW TF HC 8 X 30 10.9 ZN	3
223	0300030802	VIS TF HC 8 X 25 Z DIN 10.9	SCREW TF HC 8 X 25 Z DIN 10.9	7
224	0300011030	VIS H 10x30 Z EMB CR DIN 6921	SCREW H 10x20 Z DIN 6921	4



Rep N°	Ref	Désignation	Description	Qté/ GP160	Qté/ R210
300	KL02071606	CAPOT COURROIE NOIR	BLACK BELT COVER	1	1
301	KL02071605	2 e FLANC CARTER NOIR	BLACK 2ND PART	1	1
302	KL02071604	1er CARTER NOIR	BLACK 1ST PART	1	1
303	KL02070602	CARTER AVANT ROUGE RAL3002	RED RAL3002 FRONT HOUSING	1	1
304	KL02070601	EQUERRE ROUGE	RED RAL3002 REAR HOUSING	1	1
305	KL02070202	CONTRE COUTEAUX SOUDE ZN	CONTRA ROTATIONG KNIVES	1	1
306	K503000066-	AUTOCOLLANT ATTENDRE L'ARRET DES COMPOSANTS DU BROYEUR	STICKER "WAIT THE STOP OF ROTATING TOOL "	1	1
307	K503000060-	AUTOCOLLANT DANGER LAME EN ROTATION	STICKER "CAUTION ROTATING BLADE "	1	1
308	K503000059-	AUTOCOLLANT LUNETTE DE PROTECTION CASQUE + GANTS	STICKER " PROTECTIVE EYE WEAR+HELMETT +GLOVES"	1	1
309	K503000015-	AUTOCOLLANT LIRE LA NOTICE	STICKER " READ THE MANUAL BEFORE USE"	1	1
310	K341000028	EMBOUIT PLASTIQUE 6.5 x 60	END PIECE 6.5 x 60	1	1
311	K341000026	ENTRETOISE 8.2 X 16 X14	SPACER 8,2 x 16 X 14h	1	1
312	K330010203	SWITCH MOTEUR HONDA	SWITCH HONDA ENGINE	1	-
312	0330062001	SWITCH ON/OFF	SWITCH ON/OFF	-	1
313	K308060041	FAISCEAU COUPE CIRCUIT	ELECTRIC BRAKER	1	1
314	K308060009	FICHE ELECTRIQUE 564	CONNECTOR	1	1
315	K305000066	LEVIER VERROU TRAPPE	SHUTTER LOCK LEVER	1	1
316	K304000766	CALE EP 0.5 CONTRE COUTEAUX	WEDGE THICKNESS 0.5	1	1
317	K304000765	CALE EP 1 CONTRE COUTEAU	WEDGE THICKNESS 1	1	1
318	K302020152	ENTERROISE 8.2 x 14 x 77.4	SPACER 8.2 x 14 x 77.4	2	2
319	0301000025	PASSE FIL EN CAOUTCHOUC DK	WIRE PROTECT	2	2
320	0300600802	INSERT A SERTIR HEX M8 OUVERT	Insert M8	1	1
321	0300460801	RONDELLE STARLOCK DIA 8	STARLOCK WASHER DIA 8	1	1
322	0300430803	RONDELLE CONTACT M 8 SERIE	CONTACT WASHER 8	5	5
323	0300400805	RONDELLE PLATE ZN 8 x 20 x 3	WASHER 8 x 20 x 3	1	1
324	0300260801	ECROU HM 8 ZEMB CR DIN 6923-8	NUT H M8 Z NOTCHED SHOULDER	11	11
325	0300210802	ECROU FREIN M 8 Z DIN 985/8	BLOCKING NUT HM 8 Z DIN 985/8	2	2
326	0300210602	ECROU FREIN M 6 Z DIN 985-8	BLOCKING NUT M 6 Z	3	3
327	0300010863	VIS TH 8 x 100 ZN	SCREW TH 8 x 100 ZN	5	5
328	0300010815	VIS H 8x16 Z EMB CR DIN 6921	SCREW H M8X16 Z	6	6
329	K503000032-	AUTOCOLLANT SWITCH	SWITCH STICKER	1	-



Rep N°	Ref	Désignation	Description	Qté
400	KL02071609	VOLET GOULOTTE EJECTION NOIR	BLACK SHUTTER	1
401	KL02071608	PART INF EJECT NOIRE	BLACK LOWER PART	1
402	KL02071607	PARTIE SUP EJEC NOIR	BLACK HIGHER PART	1
403	KL02070603	FLANC GOULO. EJEC. ROUGE	RED EJECTION DISCHARGE SPOUT	2
404	K503000082-	AUTOCOLLANT DISTANCE DE SECURITE	STICKER "SECURITY DISTANCE"	1
405	K503000061-	AUTOCOLLANT NE PAS DEMONTER LE VOLET	STICKER "DON'T DISASSEMBLE HATCH"	1
406	K503000060-	AUTOCOLLANT DANGER LAME EN ROTATION	STICKER "CAUTION ROTATING BLADE "	1
407	0300430803	RONDELLE CONTACT M 8 SERIE	CONTACT WASHER 8	4
408	0300260801	ECROU HM 8 ZEMB CR DIN 6923-8	NUT H M8 Z NOTCHED SHOULDER	8
409	0300210802	ECROU FREIN M 8 Z DIN 985/8	BLOCKING NUT HM 8 Z DIN 985/8	1
410	0300010863	VIS TH 8 x 100 ZN	SCREW TH 8 x 100 ZN	4
411	0300010815	VIS H 8x16 Z EMB CR DIN 6921	SCREW H M8X16 Z	4
412	0300010804	VIS-TH-DIN931-8.8-CLE13-M8X110	SCREW HM 8x110 z	1



Rep N°	Ref	Désignation	Description	Qté
500	KL02071610	TUBE POIGNEE NOIR	BLACK HANDLE TUBE	1
501	KL02070606	GOULOT. PART.HAUT INF ROUGE	RED UPPER PART DISCHARGE SPOUT	1
502	KL02070605	GOULOT. PART.HAUT SUP ROUGE	RED UPPER PART DISCHARGE SPOUT	1
503	KL02070604	GOULOT. PART.INF ROUGE	RED LOWER PART DISCHARGE SPOUT	1
504	KL02060206	BRIDE DE BAVETTE ZN	FLAP FLANGE	1
505	K342000024	BAVETTE GOULOTTE	FLAP	1
506	0301000019	RIVET STD TP 6.4X22 14	RIVET STD TP 6.4X22 14	8
507	0300401003	RONDELLE PLATE M 10X20X2 Z	Washer M 10x20x2z	8
508	0300400601	RONDELLE 6 X 18 X 1.2 Z	Washer M6x18x1.2 Z	3
509	0300260801	ECROU HM 8 ZEMB CR DIN 6923-8	NUT H M8 Z NOTCHED SHOULDER	4
510	0300210802	ECROU FREIN M 8 Z DIN 985/8	BLOCKING NUT HM 8 Z DIN 985/8	8
511	0300210602	ECROU FREIN M 6 Z DIN 985-8	BLOCKING NUT M 6 Z	3
512	0300080801	VIS TRCC 8 X 16 Z CL8.8	SCREW TRCC 8 x 16	8
513	0300010838	VIS H 8x25 Z EMB CR DIN 6921	SCREW H 8x25 Z DIN 6921	2
514	0300010610	VIS H 6x20 Z EMB CR DIN 6921	Screw HM 6x20 notched shoulder	3