

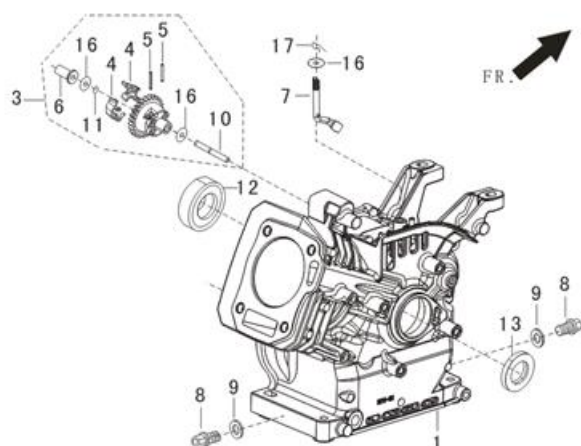
MOTEUR R210 - AVANT No série A1508003159



IMPORTANT : Ces vues ne conviennent pas au moteur R210-S

MOTEUR R210 - AVANT No série A1508003159

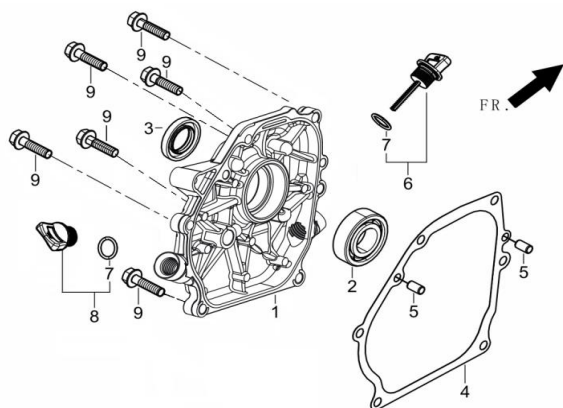
FIG.1 CRANKCASE. / GEAR ASSY, GOVERNOR.(E01)



REF.NO.	Pubert PN	DESCRIPTION	DESCRIPTION	QTY
E01-1	0001210103	CRANKCASE SUBASSEMBLY.	CARTER PRINCIPAL	1
E01-3	0001180050	GEAR ASSY, GOVERNOR	REGULATEUR	1
E01-7	-	ARM, GOVERNOR	BRAS REGULATEUR	1
E01-8	9501004145	BOLT, DRAIN PLUG	BOUCHON VIDANGE	2
E01-9	0001200006	WASHER, FLAT	JOINT BOUCHON VIDANGE	2
E01-12	0001100124	BEARIN, DEEP GROOVE BALL	ROULEMENT VILEBREQUIN	1
E01-13	0001180005	SEAL, OIL	JOINT SPI	1
E01-16	-	WASHER, FLAT	RONDELLE	1
E01-17	0001000529	PIN	GOUPILLE BETA	1

MOTEUR R210 - AVANT No série A1508003159

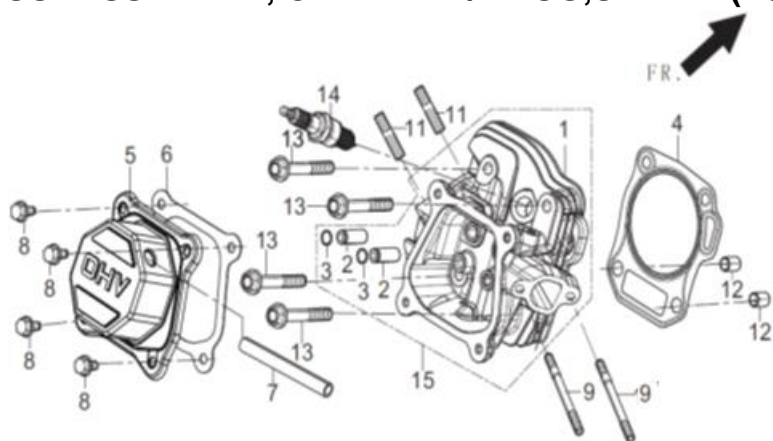
FIG.2 COVER SUBASSEMBLY, CRANKCASE(E02)



REF.NO.	Pubert PN	DESCRIPTION	DESCRIPTION	QTY
E02-1	0001210004	COVER, CRANKCASE	CARTER LATERAL	1
E02-2	0001100124	BEARIN, DEEP GROOVE BALL	ROULEMENT VILEBREQUIN	1
E02-3	0001180005	SEAL, OIL	JOINT SPI	1
E02-4	0001060053	GASKET, CRANKCASE	JOINT	1
E02-5	-	PIN	PION DE CENTRAGE	2
E02-6	0001180008	DIPSTICK SUBASSEMBLY, OIL	JAUGE HUILE	1
E02-8	0001180007	PLUG SUBASSEMBLY, ENGINE OIL	BOUCHON HUILE	1
E02-9	-	BOLT	VIS	6

MOTEUR R210 - AVANT No série A1508003159

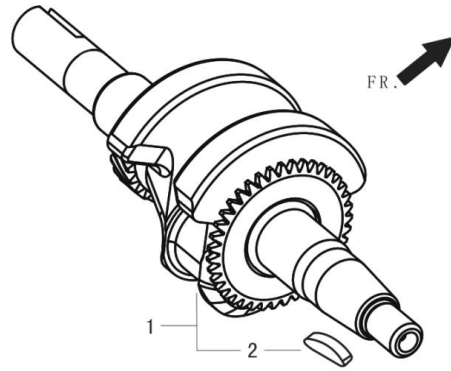
FIG.3 HEAD SUBASSEMBLY, CYLINDER / PLUG, SPARK (E03)



REF.NO.	Pubert PN	DESCRIPTION	DESCRIPTION	QTY
E03-4	0001210101	GASKET, CYLINDER HEAD	JOINT CULASSE	1
E03-5	0001210001	COVER SUBASSEMBLY, CYLINDER HEAD	COUVRE CULASSE	1
E03-6	0001180002	GASKET, CYLINDER HEAD COVER	JOINT COUVRE CULASSE	1
E03-7	0001150034	TUBE, BREATHER	DURIT RENIFLARD	1
E03-8	-	BOLT	VIS	4
E03-9	-	BOLT	VIS	1
E03-11	-	BOLT	VIS	2
E03-12	-	PIN	PION DE CENTRAGE	2
E03-13	-	BOLT, CYLINDER HEAD	VIS	4
E03-14	9501000304	PLUG, SPARK	BOUGIE	1
E03-15	0001210102	HEAD SUBASSEMBLY, CYLINDER	CULASSE	1

MOTEUR R210 - AVANT No série A1508003159

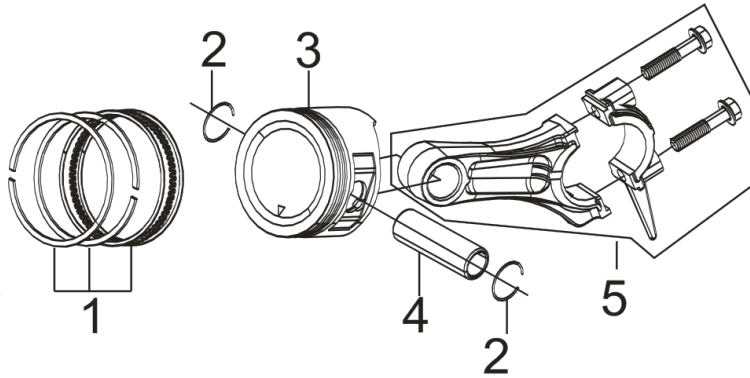
FIG.4 ROD,CRANKSHAFT CONNETING (E04)



REF.NO.	Pubert PN	DESCRIPTION	DESCRIPTION	QTY
E04-1	0001210005	CRANKSHAFT ASSY.	VILEBREQUIN	1
E04-2	0001180015	KEY SHAFT	CLAVETTE	1

MOTEUR R210 - AVANT No série A1508003159

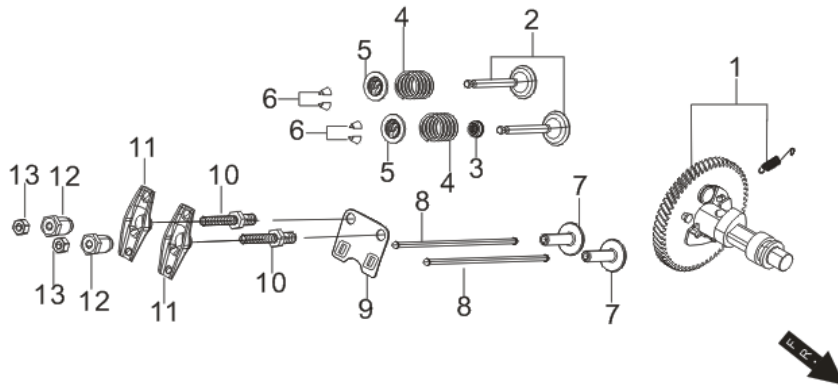
FIG.5 RING SET,OIL / ROD,CRANKSHAFT CONNETING (E05)



REF.NO	Pubert PN	DESCRIPTION	DESCRIPTION	QTY
E05-1	0001210107	RING ASSY, PISTON (si < A1508003159)	JEU SEGMENTS (si < A1508003159)	1
E05-2	0001180014	CLIP, PISTON PIN	CLIP AXE PISTON	2
E05-3	0001210106	PISTON (si < A1508003159)	PISTON (si < A1508003159)	1
E05-4	0001180011	PIN, PISTON	AXE PISTON	1
E05-5	0001180012	ROD, CONNECTING	BIELLE	1

MOTEUR R210 - AVANT No série A1508003159

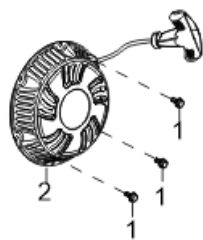
FIG.6 TRAIN, VALVE / CAMSHAFT SUBASSEMBLY (E06)



REF.NO.	Pubert PN	DESCRIPTION	DESCRIPTION	QTY
E06-1	0001210015	CAMSHAFT ASSY.	ARBRE A CAMES	1
E06-2	0001060065	VALVE EXHAUST (ECHAPPEMENT)	SOUPAPE ECHAPPEMENT	1
E06-2	0001060077	VALVE INTAKE (ADMISSION)	SOUPAPE ADMISSION	1
E06-3	0001180048	GUIDE, SEAL	JOINT QUEUE SOUPAPE	1
E06-4	0001090010	SPRING, VALVE	RESSORT SOUPAPE	2
E06-5	0001090011	SEAT, VALVE SPRING	RONDELLE RESSORT SOUPAPE	2
E06-6	0001210820	CLAMP, VALVE LOCK	VERROU SOUPAPE	4
E06	0001210008	TRAIN VALVE (7+8+10+11+12+13)	DISTRIBUTION 1 SOUPAPE (7+8+10+11+12+13)	2
E06-7	TRAIN VALVE	TAPPET, VALVE	POUSSOIR	2
E06-8	TRAIN VALVE	LIFTER, VALVE	TIGE CULBUTEUR	2
E06-9	0001210016	PLATE SUBASSEMBLY, LIFTER STOPPER	GUIDE TIGE CULBUTEUR	1
E06-10	TRAIN VALVE	BOLT, ROCKER SHAFT	SUPPORT CULBUTEUR	2
E06-11	TRAIN VALVE	ROCKER, VALVE	CULBUTEUR	2
E06-12	TRAIN VALVE	NUT, VALVE ADJUSTING	ECROU REGLAGE CULBUTEUR	2
E06-13	TRAIN VALVE	NUT, VALVE LOCK	CONTRE ECROU REGLAGE CULBUTEUR	2

MOTEUR R210 - AVANT No série A1508003159

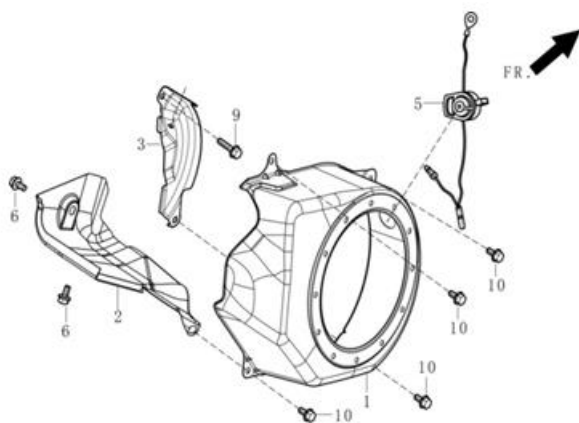
FIG.7 STARTER,RECOIL (E07)



REF.NO.	Pubert PN	DESCRIPTION	DESCRIPTION	QTY
E07-1	-	BOLT	VIS	3
E07-2	0001210010	STARTER ASSY, RECOIL	LANCEUR	1
E07	0001180017	HANDLE - POIGNEE	POIGNEE LANCEUR	1
E07	0001180041	ROPE - CORDE	CORDE LANCEUR	1

MOTEUR R210 - AVANT No série A1508003159

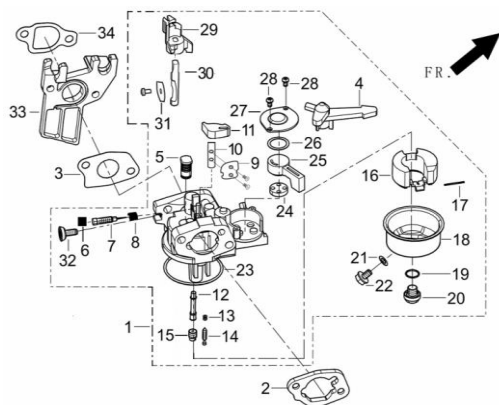
FIG.8 SHROUD / SHIELD,LOWER (E08)



REF.NO.	Pubert PN	DESCRIPTION	DESCRIPTION	QTY
E08-1	0001210011	SHROUD	VOLUTE	1
E08-2	0001180019	SHROUD, CYLINDER BODY	DEFLECTEUR AIR	1
E08-3	-	SHIELD,LOWER	ECRAN	1
E08-5	0330062001	SWITCH SUBASSEMBLY, STOP ENGINE	SWITCH ON / OFF	1
E08-6	-	BOLT	VIS	2
E08-9	-	BOLT	VIS	1
E08-10	-	BOLT	VIS	4

MOTEUR R210 - AVANT No série A1508003159

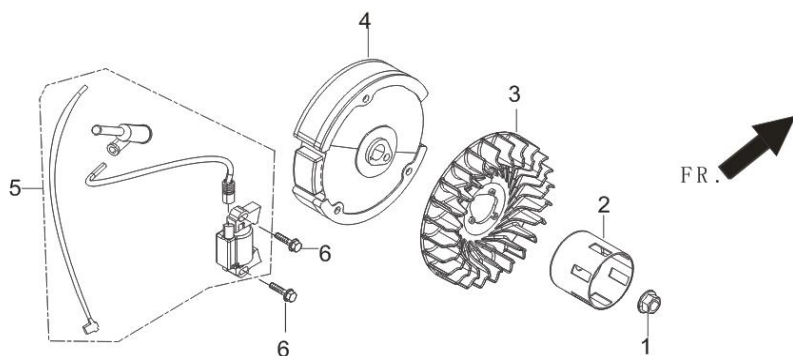
FIG.9 CARBURETOR ASSY. (E09)



REF.NO.	Pubert PN	DESCRIPTION	DESCRIPTION	QTY
E09-1	0001180020	CARBURETOR ASSY.	CARBURATEUR	1
E09-2	0001180021	GASKET, AIR CLEANER	JOINT CARBURATEUR COTE FILTRE	1
E09-3	0001180022	GASKET, CARBURETOR	JOINT CARBURATEUR COTE MOTEUR	1
E09-4	0001180047	CHOKE LEVER	LEVIER STARTER	1
E09-33	0001180023	PLATE, CARBURETOR INSULATOR	ECRAN CARBURATEUR	1
E09-34	0001180024	GASKET, CARBURETOR INSULATOR	JOINT ECRAN CARBURATEUR	1

MOTEUR R210 - AVANT No série A1508003159

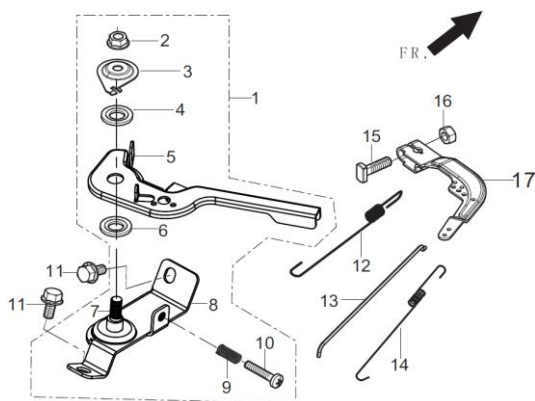
FIG.10 FLYWHEEL / IMPELLER / STARTER PULLEY / IGNITION COIL (E10)



REF.NO.	Pubert PN	DESCRIPTION	DESCRIPTION	QTY
E10-1	0001180029	NUT, FLYWHEEL	ECROU	1
E10-2	0001210021	PULLEY,STARTER	POULIE LANCEUR	1
E10-3	0001180027	IMPELLER	VENTILATEUR	1
E10-4	0001210013	FLYWHEEL SUBASSEMBLY	VOLANT MOTEUR	1
E10-5	0001180025	COIL, IGNITION	BOBINE ALLUMAGE	1
E10-6	-	BOLT	VIS	2

MOTEUR R210 - AVANT No série A1508003159

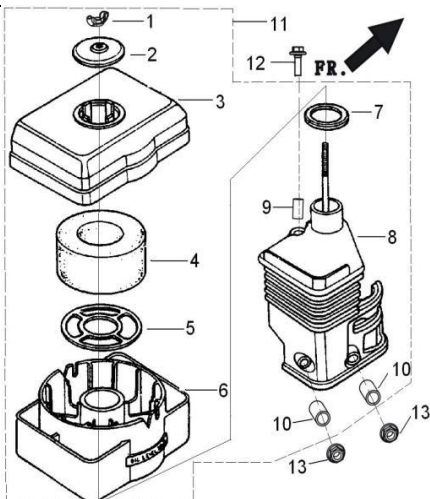
FIG.11 CONTROL ASSY, THROTTLE (E11)



REF.NO.	Pubert PN	DESCRIPTION	DESCRIPTION	QTY
E11-1	0001180045	CONTROL ASSY, THROTTLE	ENSEMBLE ACCELERATEUR	1
E11-11	-	BOLT	VIS	2
E11-12	0001060023	SPRING, GOVERNOR	RESSORT REGULATEUR	1
E11-13	0001180032	ROD, GOVERNEOR	BIELLETTE REGULATEUR	1
E11-14	0001000222	SPRING, THROTTLE VALVE RETURNING	RESSORT BIELLETTE REGULATEUR	1
E11-15	-	BOLT, GOVERNOR SUPPORT	VIS	1
E11-16	-	NUT	ECROU	1
E11-17	0001180046	SUPPORT SUBASSEMBLY, GOVERNOR	BRAS REGULATEUR	1

MOTEUR R210 - AVANT No série A1508003159

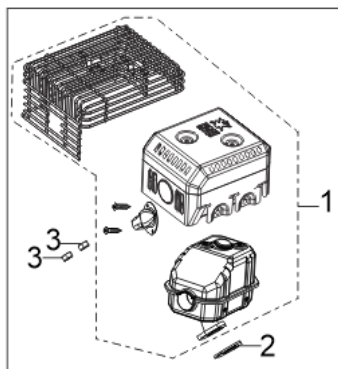
FIG.12 CLEANER, AIR (F01)



REF.NO.	Pubert PN	DESCRIPTION	DESCRIPTION	QTY
F01-1	0001060037	BUTTERFLY NUT	VIS PAPILLON	1
F01-2	0001000131	WASHER	RONDELLE	1
F01-3	0001000130	COVER	COUVERCLE	1
F01-4	0001060034	FOAM FILTER	FILTRE MOUSSE	1
F01-5	0001000128	GRID	GRILLE	1
F01-6	0001000127	OIL BOX	BOITE A HUILE	1
F01-7	0001060036	SEAL	JOINT	1
F01-8	0001060019	BASE	BASE	1
F01-11	0001210117	CLEANER, AIR ASSY	FILTRE COMPLET	1
F01-13	-	NUT	NUT	2

MOTEUR R210 - AVANT No série A1508003159

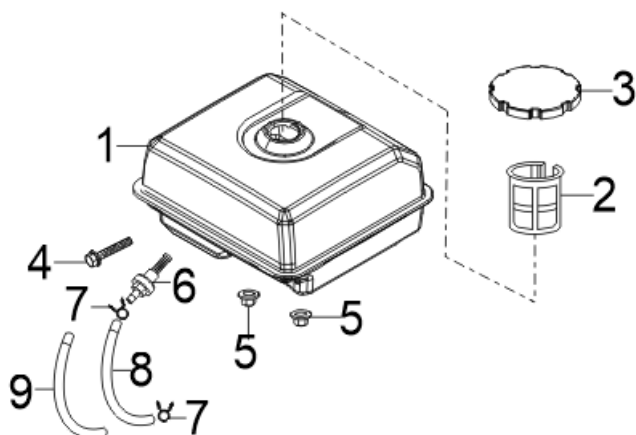
FIG.13 MUFFLER ASSY. (F02)



REF.NO.	Pubert PN	DESCRIPTION	DESCRIPTION	QTY
F02-1	0001210020	MUFFLER ASSY.	ECHAPPEMENT	1
F02-2	0001180004	GASKET, EXHAUST OUTLET	JOINT ECHAPPEMENT	1
F02-3	-	NUT	ECROU	2

MOTEUR R210 - AVANT No série A1508003159

FIG.14 TANK ASSY, FUEL (F03)



REF.NO.	Pubert PN	DESCRIPTION	DESCRIPTION	QTY
F03-1	0001210009	TANK, FUEL	RESERVOIR CARBURANT	1
F03-2	0001180039	STRAINER, FUEL	FILTRE ENTREE RESERVOIR	1
F03-3	0001180037	COVER, FUEL TANK	BOUCHON RESERVOIR	1
F03-4	-	BOLT	VIS	1
F03-5	-	NUT	ECROU	2
F03-6	0001180036	OUTLET SUBASSEMBLY, FUEL TANK OIL	FILTRE SORTIE RESERVOIR	1
F03-7	-	COLLAR	COLLIER	2
F03-8	0001210012	TUBE, FUEL	DURIT CARBURANT	1
F03-9	-	JACKET, RUBBER	PROTECTION DURIT	1