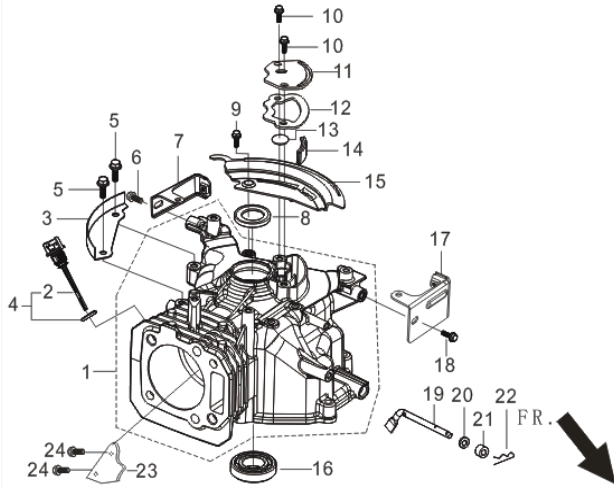


Euro2 ou Euro5 ?

**Euro5 si le numéro de série est supérieur à A1811000063
Euro2 si inférieur - dans ce cas, voir les vues appropriées.**

Ces vues ne correspondent pas au moteur RV170-S

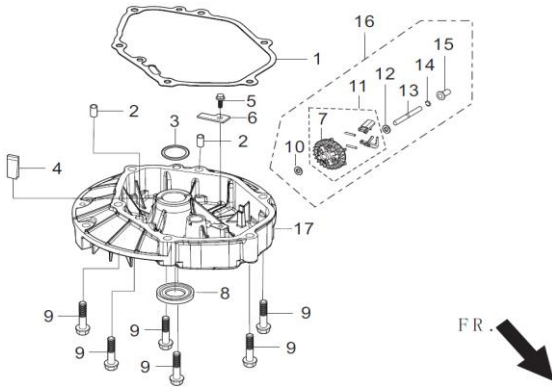
FIG.1 CRANKCASE. (E01)



REF.NO.	PUBERT PN	DESCRIPTION	DESCRIPTION	QTY Euro5
E01-1	0001210329	CRANKCASE SUBASSEMBLY.	CARTER PRINCIPAL	1
E01-3		SHIELD, CRANKCASE SIDE	ECRAN	1
E01-4	0001210039	DIPSTICK SUBASSEMBLY, OIL	JAUGE HUILE	1
E01-5		BOLT	VIS	2
E01-6		BOLT	VIS	1
E01-7	0001210048	BRACKET, FUEL TANK RIGHT	SUPPORT RESERVOIR COTE DROIT	1
E01-8	0001100036	SEAL, OIL	JOINT SPI	1
E01-9		BOLT	VIS	1
E01-10		BOLT	VIS	2
E01-11	0001210353	PLATE, BREATH GROOVE COVER	COUVERCLE RENIFLARD	1
E01-12	0001210354	GASKET, BREATH GROOVE	JOINT COUVERCLE RENIFLARD	1
E01-13	0001210355	PIECE, BREATH	CLAPET ENTREE RENIFLARD	1
E01-14		STRAINER, BREATH GROOVE	SEPARATEUR HUILE RENIFLARD	1
E01-15		SHIELD, CRANKCASE REAR	ECRAN ARRIERE	1
E01-16	0001100124	BEARIN, DEEP GROOVE BALL	ROULEMENT VILEBREQUIN	1
E01-17	0001210049	BRACKET, FUEL TANK LEFT	SUPPORT RESERVOIR COTE GAUCHE	1
E01-18		BOLT	VIS	1
E01-19		ARM, GOVERNOR	BRAS REGULATEUR	1
E01-20		washer	RONDELLE	1
E01-21		SEAL, OIL	JOINT	1
E01-22	0001000529	PIN	GOUILLE BETA	1
E01-23		cover	COUVERCLE SORTIE RENIFLARD	1
E01-24		BOLT	VIS	2

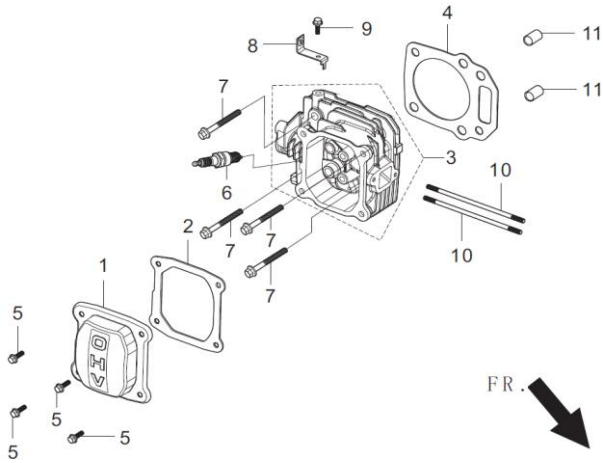
RV170 - Euro 5 - numéro de série > A1811000063

FIG.2 COVER SUBASSEMBLY, CRANKCASE / GEAR ASSY, GOVERNOR (E02)



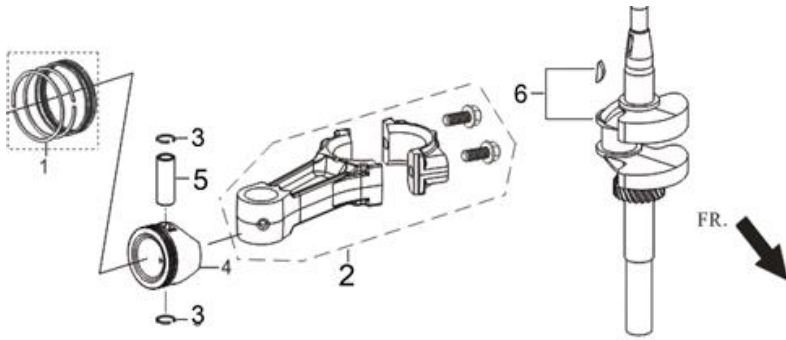
REF.NO.	PUBERT PN	DESCRIPTION	DESCRIPTION	QTY Euro5
E02-1	0001210303	GASKET, CRANKCASE	JOINT	1
E02-2		PIN	PION DE CENTRAGE	2
E02-3	0001210722	washer	RONDELLE	1
E02-4	0001210359	BLOCK, RETURNING OIL	INSERT RETOUR HUILE	1
E02-5		BOLT	VIS	1
E02-6		PLATE, GOVERNOR SPINDLE COMPRESSION	BRIDE	1
E02-8	0341000010	SEAL, OIL	JOINT SPI	1
E02-9		BOLT	VIS	6
E02-16	0001210319	GEAR ASSY, GOVERNOR	REGULATEUR	1
E02-17	0001210321	COVER, CRANKCASE	CARTER INFERIEUR	1

FIG.3 HEAD SUBASSEMBLY, CYLINDER / PLUG, SPARK (E03)



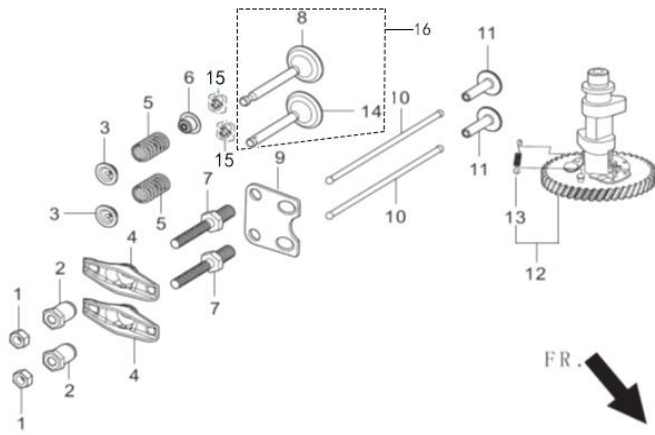
REF.NO.	PUBERT PN	DESCRIPTION	DESCRIPTION	QTY Euro5
E03-1		COVER, CYLINDER HEAD	COUVRE CULASSE	1
E03-2	0001210302	GASKET, CYLINDER HEAD COVER	JOINT COUVRE CULASSE	1
E03-3	0001210350	HEAD SUBASSEMBLY, CYLINDER	CULASSE	1
E03-4	0001210745	GASKET, CYLINDER HEAD	JOINT CULASSE	1
E03-5		BOLT	VIS	4
E03-6	0001000598	PLUG, SPARK	BOUGIE	1
E03-7		BOLT, CYLINDER HEAD	VIS	4
E03-8	0001210316	BRACKET, MUFFLER SHIELD	SUPPORT GRILLE ECHAPPEMENT	1
E03-9		BOLT	VIS	1
E03-10		stud	GOUJON	2
E03-11		PIN	PION DE CENTRAGE	2

FIG.4 ROD,CRANKSHAFT CONNETING (E04)



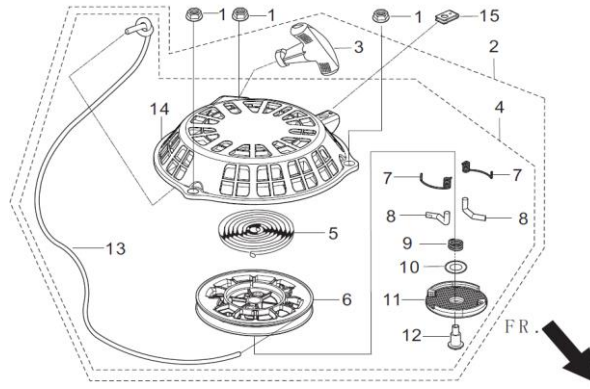
REF.NO.	PUBERT PN	DESCRIPTION	DESCRIPTION	QTY Euro5
E04-1	0001210343	RING ASSY, PISTON	JEU SEGMENTS	1
E04-2	0001210345	ROD, CONNECTING	BIELLE	1
E04-3	0001100116	CLIP, PISTON PIN	CLIP AXE PISTON	2
E04-4	0001210344	PISTON	PISTON	1
E04-5	0001100115	PIN, PISTON	AXE PISTON	1
E04-6	0001210327	CRANKSHAFT ASSY.	VILEBREQUIN	1

FIG.5 TRAIN,VALVE / CAMSHAFT SUBASSEMBLY (E05)



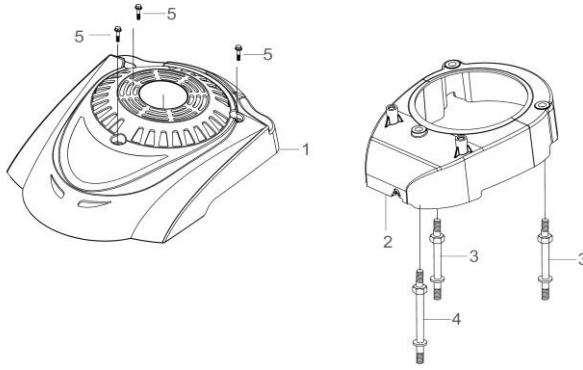
REF.NO.	PUBERT PN	DESCRIPTION	DESCRIPTION	QTY Euro5
E05	0001210326	TRAIN VALVE (1 + 2 + 4 + 7 + 10 + 11)	DISTRIBUTION 1 SOUPAPE (1 + 2 + 4 + 7 + 10 + 11)	2
E05-1	TRAIN VALVE	NUT, VALVE LOCK	CONTRE-ECROU REGLAGE CULBUTEUR	2
E05-2	TRAIN VALVE	NUT, VALVE ADJUSTING	ECROU REGLAGE CULBUTEUR	2
E05-3	0001210410	SEAT, VALVE SPRING	RONDELLE VERROU SOUPAPE	2
E05-4	TRAIN VALVE	ROCKER, VALVE	CULBUTEUR	2
E05-5	0001210320	SPRING, VALVE	RESSORT SOUPAPE	2
E05-6	0001210417	GUIDE, SEAL	JOINT QUEUR SOUPAPE	1
E05-7	TRAIN VALVE	BOLT, ROCKER SHAFT	SUPPORT CULBUTEUR	2
E05-9	0001210349	PLATE, LITER LIMITED	PLAQUE GUIDE TIGE CULBUTEUR	1
E05-10	TRAIN VALVE	LIFTER, VALVE	TIGE CULBUTEUR	2
E05-11	TRAIN VALVE	TAPPET, VALVE	POUSSOIR	2
E05-12	0001210067	CAMSHAFT ASSY.	ARBE A CAMES	1
E05-15	0001210820	CLAMP, VALVE LOCK	VERROU SOUPAPE	4
E05-16	0001180053	VALVES SET	JEU SOUPAPES	1

FIG.6 STARTER,RECOIL (E06)



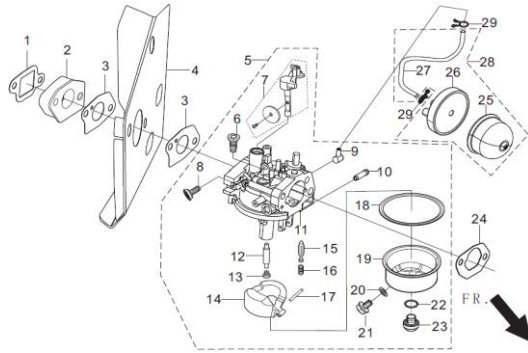
REF.NO.	PUBERT PN	DESCRIPTION	DESCRIPTION	QTY Euro5
E06-1		NUT	ECROU	3
E06-2	0001210027	STARTER ASSY, RECOIL	LANCEUR COMPLET	1

FIG.7 SHIELD, FAN (E07)



REF.NO.	PUBERT PN	DESCRIPTION	DESCRIPTION	QTY Euro5
E07-1	0001210030	HOUSING, ENGINE	CAPOT	1
E07-2	0001210045	SHROUD	VOLUTE	1
E07-3	0001210046	STUD	GOUJON	2
E07-4	0001210047	STUD	GOUJON	1
E07-5		BOLT	VIS	3

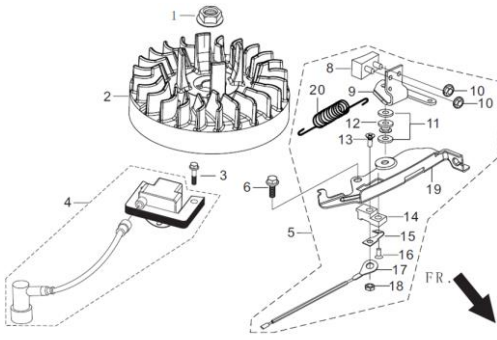
FIG.8 CARBURETOR ASSY. (E08)



REF.NO.	PUBERT PN	DESCRIPTION	DESCRIPTION	QTY Euro5
E08-1	0001210305	GASKET, INSULATOR PLATE	JOINT CARBURATEUR COTE MOTEUR	1
E08-2	0001210306	PLATE, CARBURETOR INSULATOR	ENTRETOISE CARBURATEUR	1
E08-3	0001210307	GASKET, CARBURETOR	JOINT CARBURATEUR COTE MOTEUR	2
E08-4	0001210308	GASKET, CARBURETOR INSULATOR	ISOLANT CARBURATEUR	1
E08-5	0001210304	CARBURETOR ASSY.	CARBURATEUR	1
E08-24	0001210309	GASKET, AIR CLEANER	JOINT CARBURATEUR COTRE FILTRE	1
E08-27	0001210012	TUBE, STARTING RICHED VALVE	DURIT POMPE AMORCAGE	1
E08-28	0001210041	VALVE, STARTING RICHED	POMPE AMORCAGE	1
E08-29		CLAMP	COLLIER	2

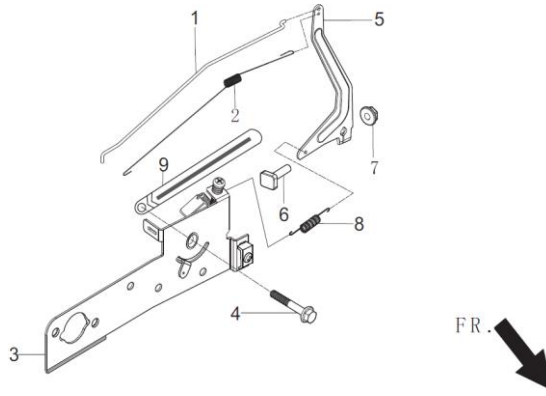
RV170 - Euro 5 - numéro de série > A1811000063

FIG.9 FLYWHEEL / IMPELLER / STARTER PULLEY / IGNITION COIL (E09)



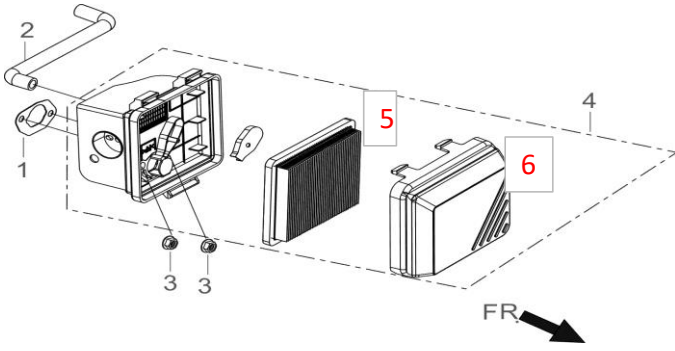
REF.NO.	PUBERT PN	DESCRIPTION	DESCRIPTION	QTY Euro5
E09-1	0001180029	NUT, FLYWHEEL	ECROU	1
E09-2	0001210042	FLYWHEEL SUBASSEMBLY	VOLANT MOTEUR	1
E09-3		BOLT	VIS	1
E09-4	0001210058	COIL, IGNITION	BOBINE ALLUMAGE	1
E09-5	0001210314	BRAKE ASSY.	ENSEMBLE FREIN	1
E09-6		BOLT	VIS	1

FIG.10 CONTROL ASSY, THROTTLE (E10)



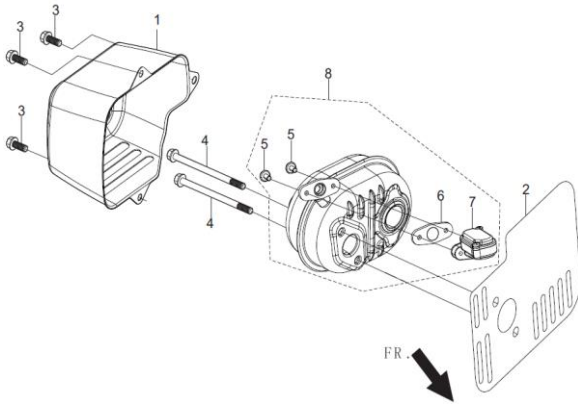
REF.NO.	PUBERT PN	DESCRIPTION	DESCRIPTION	QTY Euro5
E10-1	0001210318	ROD, GOVERNEOR	BIELLETTE REGULATEUR	1
E10-2	0001210043	SPRING, THROTTLE VALVE RETURNING	RESSORT BIELLETTE REGULATEUR	1
E10-3	0001210026	CONTROL ASSY, THROTTLE	PLATINE REGULATEUR	1
E10-4		BOLT	VIS	1
E10-5		SUPPORT SUBASSEMBLY, GOVERNOR	BRAS REGULATEUR	1
E10-6		BOLT, GOVERNOR SUPPORT	VIS	1
E10-7		NUT	ECROU	1
E10-8	0001210044	SPRING, GOVERNOR	RESSORT REGULATEUR	1
E10-9		CLIP	CLIP FIL	1

FIG.11 CLEANER, AIR (F01)



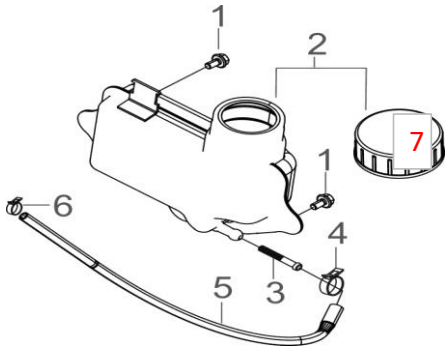
REF.NO.	PUBERT PN	DESCRIPTION	DESCRIPTION	QTY Euro5
F01-1	0001210309	GASKET, AIR CLEANER	JOINT	1
F01-2	0001210323	TUBE, BREATHER	DURIT RENIFLARD	1
F01-3		NUT	ECROU	2
F01-4	0001210024	CLEANER, AIR	ENSEMBLE FILTRE AIR	1
F01-5	0001010013	ELEMENT	ELEMENT FILTRANT	1
F01-6	0001210025	COVER	COUVERCLE	1

FIG.12 MUFFLER (F02)



REF.NO.	PUBERT PN	DESCRIPTION	DESCRIPTION	QTY Euro5
F02-1	0001210037	COVER, MUFFLER OUTER	GRILLE ECHAPPEMENT	1
F02-2	0001210317	GASKET, EXHAUST OUTLET	JOINT ECHAPPEMENT	1
F02-3	0300010613	BOLT	VIS	3
F02-4	0300010624	bolt	VIS	2
F02-8	0001210035	MUFFLER ASSY.	ECHAPPEMENT	1

FIG.13 TANK, FUEL (F03)



REF.NO.	PUBERT PN	DESCRIPTION	DESCRIPTION	QTY Euro5
F03-1		BOLT	VIS	2
F03-2	0001210028	TANK ASSY, FUEL	RESERVOIR CARBURANT	1
F03-3	0001210315	STRAINER, FUEL	FILTRE ENTREE RESERVOIR	1
F03-4	0001020019	CLAMP	COLLIER	1
F03-5	0001210322	TUBE, FUEL	DURIT CARBURANT	1
F03-6	0001020018	CLAMP	COLLIER	1
F03-7	0001210233	Tank Cap	BOUCHON RESERVOIR CARBURANT	1