

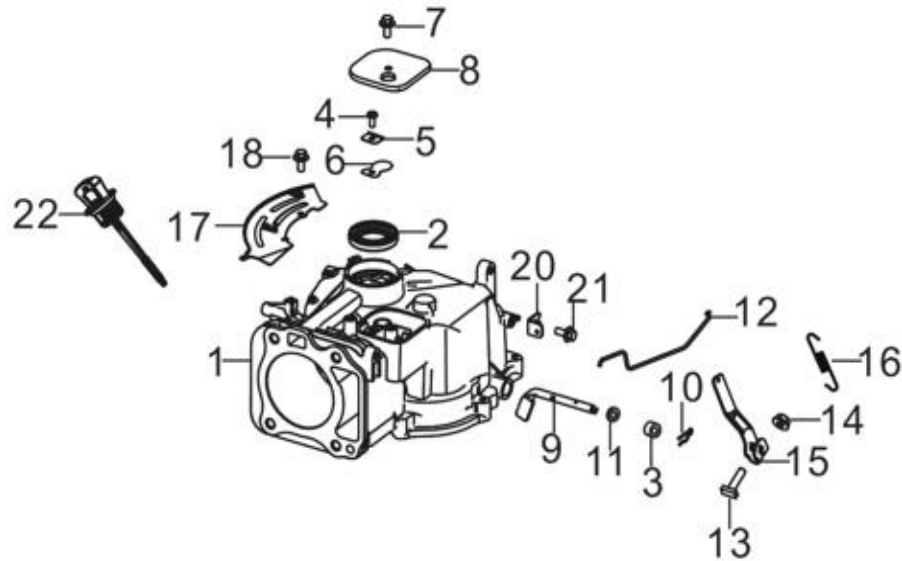
Moteur RV170-S



IMPORTANT : Ces vues ne correspondent pas au moteur RV170

Moteur RV170-S

FIG.1 CRANKCASE. / GEAR ASSY, GOVERNOR.



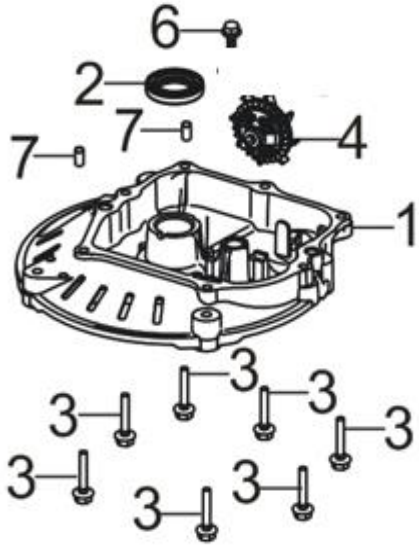
REF.NO.	Pubert Reference	DESCRIPTION	DESCRIPTION	QTY
E01-1	0001210702	CRANKCASE SUBASSEMBLY.	CARTER PRINCIPAL	1
E01-2		SEAL, OIL	JOINT SPI VILEBREQUIN	1
E01-3		SEAL, OIL	JOINT TORIQUE	1
E01-4		CROSS-RECESSED PAN HEAD SCREW	VIS	1
E01-5	0001210703	BREATH SHEET	BREATH SHEET	1
E01-6	0001210704	BREATH SHEET STOP PLATE	BREATH SHEET STOP PLATE	1
E01-7		BOLT	VIS	1
E01-8	0001210705	PLATE, BREATH GROOVE COVER	COUVERCLE RENIFLARD	1
E01-9		ARM, GOVERNOR	BRAS REGULATEUR INTERNE	1
E01-10	0001000529	COTTER PIN	GOUPILLE BETA	1
E01-11		FLAT WASHER	RONDELLE	1
E01-12	0001210706	ROD, GOVERNEOR	BIELLETTE REGULATEUR	1
E01-13		BOLT, GOVERNOR SUPPORT	VIS	1

Moteur RV170-S

E01-14		HEXAGON NUT WITH FLANGE	ECROU	1
E01-15		GOVERNOR BRACKET SUBASSEMBLY	BRAS REGULATEUR EXTERNE	1
E01-16	0001210707	SPRING, GOVERNOR	RESSORT REGUATEUR	1
E01-17		BODY LEFT SHIELD	DEFLECTEUR AIR	1
E01-18		BOLT	VIS	1
E01-20	0001210708	THROTILE OPERATING BOTTOM PLATE	PLATINE ACCELARATEUR	1
E01-21		BOLT	VIS	1
E01-22	0001210709	DIPSTICK SUBASSEMBLY, OIL	JAUGE HUILE	1

Moteur RV170-S

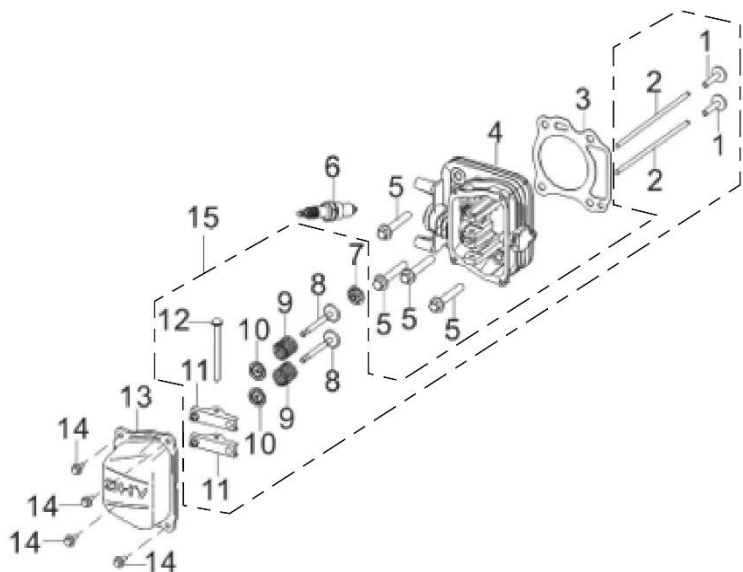
FIG.2 COVER SUBASSEMBLY, CRANKCASE



REF.NO.	Pubert Reference	DESCRIPTION	DESCRIPTION	QTY
E02-1	0001210710	COVER, CRANKCASE	CARTER INFERIEUR	1
E02-2		SEAL, OIL	JOINT SPI VILEBREQUIN	1
E02-3		BOLT	VIS	7
E02-4	0001210711	GEAR ASSY, GOVERNOR	REGULATEUR	1
E02-6		BOLT	VIS	1
E02-7		POSITION PIN	PION CENTRAGE	2

Moteur RV170-S

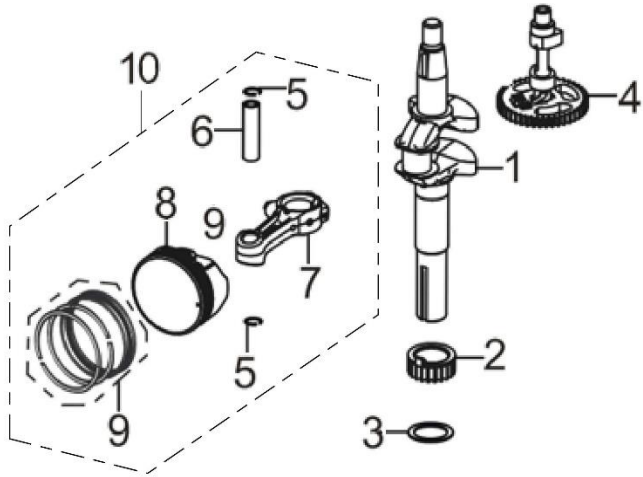
FIG.3 HEAD SUBASSEMBLY, CYLINDER / PLUG, SPARK



REF.NO.	Pubert Reference	DESCRIPTION	DESCRIPTION	QTY
E03-1	TRAIN VALVE	TAPPET, VALVE	POUSSOIR	2
E03-2	TRAIN VALVE	LIFTER, VALVE	TIGE CULBUTEUR	2
E03-3	0001210712	GASKET, CYLINDER HEAD	JOINT CULASSE	1
E03-4	0001210713	HEAD SUBASSEMBLY, CYLINDER	CULASSE	1
E03-5		BOLT	VIS	4
E03-6	0001000597	PLUG, SPARK	BOUGIE	1
E03-7	TRAIN VALVE	GUIDE, SEAL	JOINT QUEUE SOUPE	1
E03-8	0001210740	VALVES SET	JEU SOUPAPES	2
E03-9	TRAIN VALVE	SPRING, VALVE	RESSORT SOUPE	2
E03-10	TRAIN VALVE	SEAT, VALVE SPRING	VERROU SOUPE	2
E03-11	TRAIN VALVE	ROCKER SUBASSEMBLY, VALVE	CULBUTEUR	2
E03-12	TRAIN VALVE	SHAFT, VALVE ROCKER	AXE CULBUTEUR	1
E03-13	0001210714	COVER, CYLINDER HEAD	COUVRE CULASSE	1
E03-14		BOLT	VIS	4
E03-15	0001210744	TRAIN VALVE (1+2+7+8+9+10+11+12)	DISTRIBUTION (1+2+7+8+9+10+11+12)	1

Moteur RV170-S

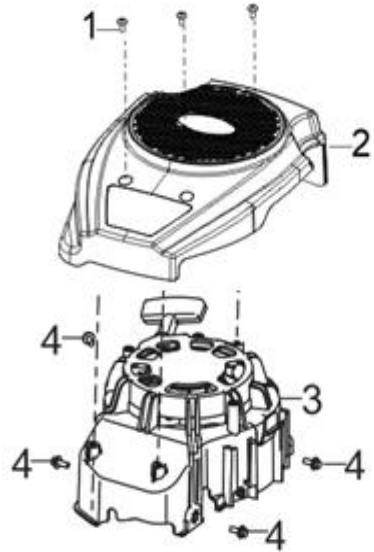
FIG.4 ROD,CRANKSHAFT CONNETING (E04)



REF.NO.	Pubert Reference	DESCRIPTION	DESCRIPTION	QTY
E04-1	0001210715	CRANKSHAFT ASSY.	VILEBREQUIN	1
E04-2	0001210716	GEAR, TIMING DRIVE	PIGNON DISTRIBUTION	1
E04-3	0001210722	FLAT WASHER	RONDELLE	1
E04-4	0001210717	CAMSHAFT ASSY.	ARBRE A CAMES	1
E04-5	0001210718	CLIP, PISTON PIN	CLIP AXE PISTON	2
E04-6	0001210719	PIN, PISTON	AXE PISTON	1
E04-7	0001210720	ROD, CONNECTING	BIELLE	1
E04-8	0001210721	PISTON	PISTON	1
E04-9	0001210311	RING ASSY, PISTON	JEU SEGMENTS	1
E04-10	0001210742	KIT PISTON	KIT PISTON	1

Moteur RV170-S

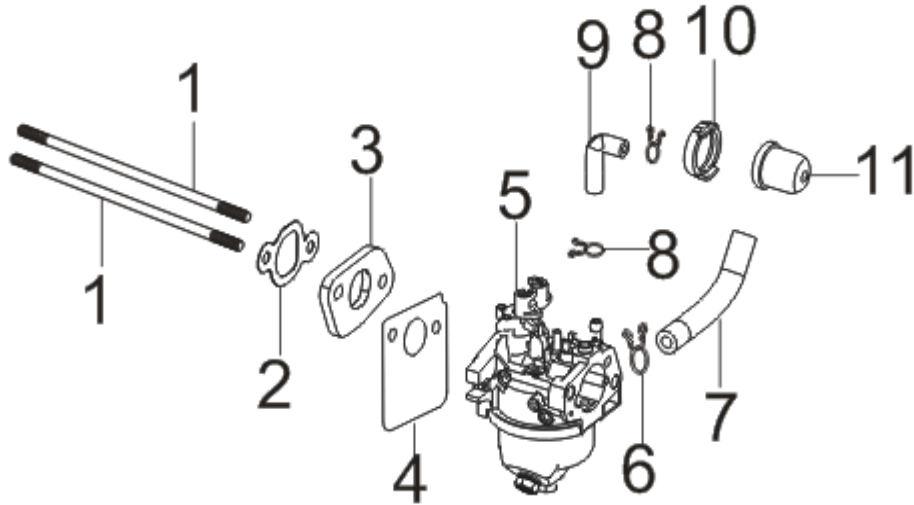
FIG.5 STARTER,RECOIL (E05)



REF.NO.	Pubert Reference	DESCRIPTION	DESCRIPTION	QTY
E05-1		SELF-TAPPING SCREW	VIS	3
E05-2	0001210723	HOUSING, ENGINE	VOLUTE	1
E05-3	0001210724	STARTER ASSY, RECOIL	LANCEUR	1
E05-4		BOLT	VIS	4

Moteur RV170-S

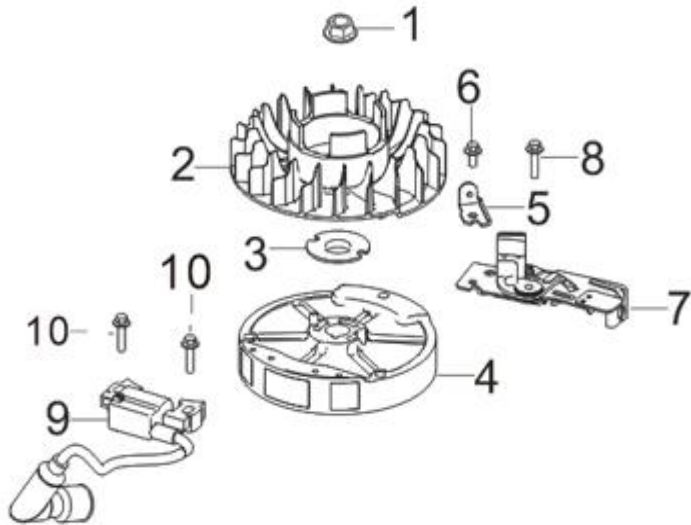
FIG.6 CARBURETOR ASSY. (E06)



REF.NO.	Pubert Reference	DESCRIPTION	DESCRIPTION	QTY
E06-1		STUD BOLT	GOUJON	2
E06-2	0001210725	GASKET, INLET	JOINT CARBURATEUR COTE MOTEUR	1
E06-3	0001210726	PLATE, CARBURETOR INSULATOR	ENTRETOISE CARBURATEUR	1
E06-4	0001210727	GASKET, INSULATOR PLATE	JOINT ISOLANT CARBURATEUR	1
E06-5	0001210728	CARBURETOR ASSY.	CARBURATEUR	1
E06-6	0001020019	PIPE CLAMP	CLIP	1
E06-7	0001210729	TUBE, FUEL	DURIT CARBURANT	1
E06-8	0001020020	PIPE CLAMP	CLIP	2
E06-9	0001210730	TUBE, STARTING RICHED VALVE	DURIT CARBURANT	1
E06-10		SEAT, STARTING RICHED VALVE	SUPPORT POMPE AMORCAGE	1
E06-11		VALVE BODY, STARTING RICHED	POMPE AMORCAGE	1

Moteur RV170-S

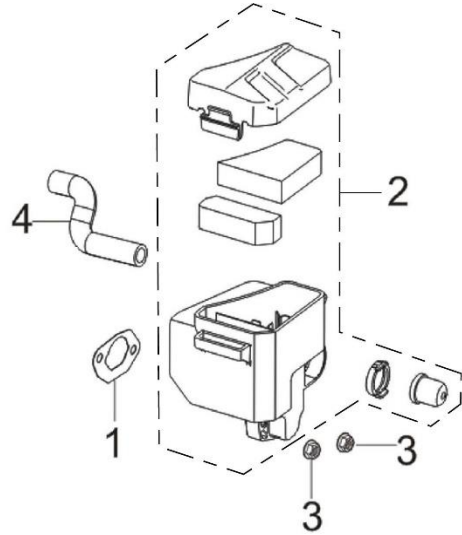
FIG.7 FLYWHEEL / IMPELLER / STARTER PULLEY / IGNITION COIL (E07)



REF.NO.	Pubert Reference	DESCRIPTION	DESCRIPTION	QTY
E10-1	0001180029	NUT, FLYWHEEL	ECROU	1
E10-2	0001210731	IMPELLER	VENTILATEUR	1
E10-3	0001210732	SEAT, STARTER CUP	ENTRETOISE	1
E10-4	0001210733	FLYWHEEL SUBASSEMBLY	VOLANT MOTEUR	1
E10-5	0001210743	LUG, SHROUD - brake assy support	SUPPORT VOLUTE	1
E10-6		BOLT	VIS	1
E10-7	0001210734	BRAKE ASSY.	FREIN	1
E10-8		BOLT	VIS	1
E10-9	0001210735	COIL, IGNITION	BOBINE ALLUMAGE	1
E10-10		BOLT	VIS	2

Moteur RV170-S

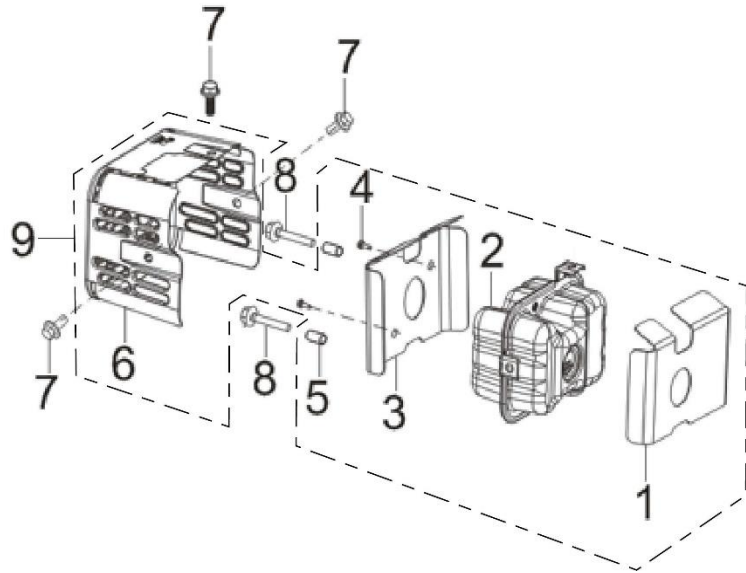
FIG.8 CLEANER, AIR (F01)



REF.NO.	Pubert Reference	DESCRIPTION	DESCRIPTION	QTY
F01-1	0001210736	AIR CLEANER SEAL GASKET	JOINT CARBURATEUR COTE FILTRE	1
F01-2	0001210737	AIR CLEANER	ENSEMBLE FILTRE AIR	1
F01-3		HEXAGON NUT WITH FLANGE	ECROU	2
F01-4	0001210738	TUBE, BREATHER	DURIT RENIFLARD	1

Moteur RV170-S

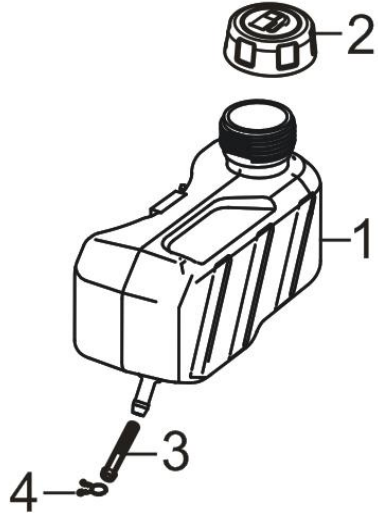
FIG.19 MUFFLER ASSY.



REF.NO. 序号	Pubert Reference	DESCRIPTION 英文名	DESCRIPTION 英文名	Q'TY 数量
F02-1		PLATE, MUFFLER INSULATOR	ISOLANT ECHAPPEMENT	1
F02-2		MUFFLER ASSY.	ECHAPPEMENT	1
F02-3		PLATE, MUFFLER INSULATOR	ISOLANT ECHAPPEMENT	1
F02-4		SELF-TAPPING SCREW	VIS	2
F02-5		BUSHING	ENTRETOISE	2
F02-6		MUFFLER OUTER COVER	GRILLE ECHAPPEMENT	1
F02-7		BOLT	VIS	3
F02-8		BOLT	VIS	2
F02-09	0001210739	Kit Muffler	KIT ECHAPPEMENT	1

Moteur RV170-S

FIG.10 TANK ASSY, FUEL



REF.NO.	Pubert Reference	DESCRIPTION	DESCRIPTION	QTY
F03-1	0001210701	TANK ASSY, FUEL	RESERVOIR CARBURANT	1
F03-2	0001000233	COVER, FUEL TANK	BOUCHON RESERVOIR CARBURANT	1
F03-3	0001210315	STRAINER, FUEL	FILTRE SORTIE RESERVOIR	1
F03-4	0001020019	PIPE CLAMP	COLLIER	1