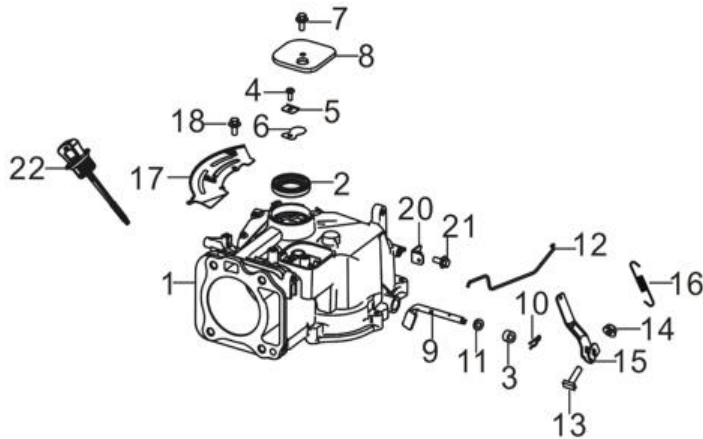


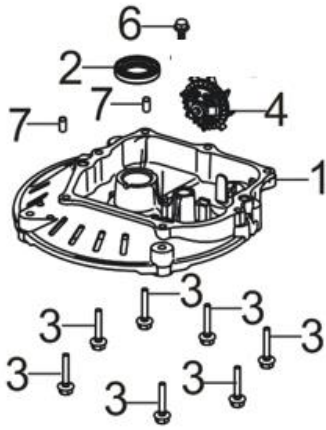
RV170-S

FIG.1 CRANKCASE. / GEAR ASSY, GOVERNOR.



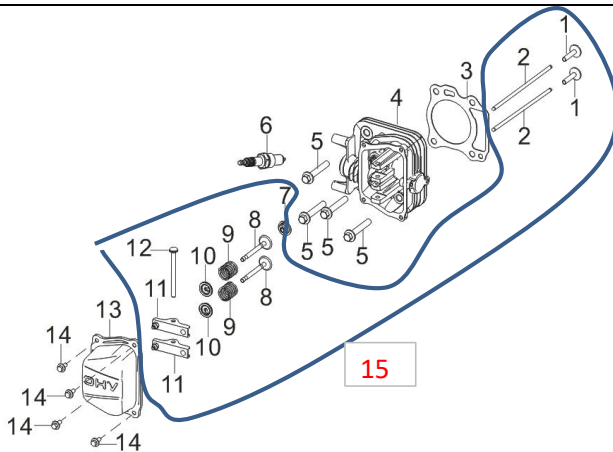
| REF.NO. | PART NO | Pubert Reference | DESCRIPTION | QTY |
|---------|--------------------|------------------|---------------------------------|-----|
| E01-1 | 11310-Z3C0110-00A1 | 0001210702 | CRANKCASE SUBASSEMBLY. | 1 |
| E01-2 | 90682-Z240110-00A0 | | SEAL, OIL | 1 |
| E01-3 | 90682-Z030210-00A0 | | SEAL, OIL | 1 |
| E01-4 | 90103-0410-51A0 | | CROSS-RECESSED PAN HEAD SCREW | 1 |
| E01-5 | 11321-Z2P0110-00A0 | 0001210703 | BREATH SHEET | 1 |
| E01-6 | 11337-Z2P0110-00A0 | 0001210704 | BREATH SHEET STOP PLATE | 1 |
| E01-7 | 90007-0512-A1A0 | | BOLT | 1 |
| E01-8 | 11333-Z2P0110-00A0 | 0001210705 | PLATE, BREATH GROOVE COVER | 1 |
| E01-9 | 16061-Z2P0110-00A0 | | ARM, GOVERNOR | 1 |
| E01-10 | 90501-Z010110-00A0 | | COTTER PIN | 1 |
| E01-11 | 90412-Z870210-00A0 | | FLAT WASHER | 1 |
| E01-12 | 16062-Z2P0110-00A0 | 0001210706 | ROD, GOVERNEOR | 1 |
| E01-13 | 16072-Z010110-00A0 | | BOLT, GOVERNOR SUPPORT | 1 |
| E01-14 | 90305-0600-31A0 | | HEXAGON NUT WITH FLANGE | 1 |
| E01-15 | 16070-Z2P0110-00A0 | | GOVERNOR BRACKET SUBASSEMBLY | 1 |
| E01-16 | 16063-Z2P0110-00A0 | 0001210707 | SPRING, GOVERNOR | 1 |
| E01-17 | 19308-Z2P0110-00A0 | | BODY LEFT SHIELD | 1 |
| E01-18 | 90007-0512-A1A0 | | BOLT | 1 |
| E01-20 | 16561-Z2P0110-00A0 | 0001210708 | THROTILE OPERATING BOTTOM PLATE | 1 |
| E01-21 | 90007-0512-A1A0 | | BOLT | 1 |
| E01-22 | 15010-Z2P0110-Q5A0 | 0001210709 | DIPSTICK SUBASSEMBLY, OIL | 1 |

FIG.2 COVER SUBASSEMBLY, CRANKCASE



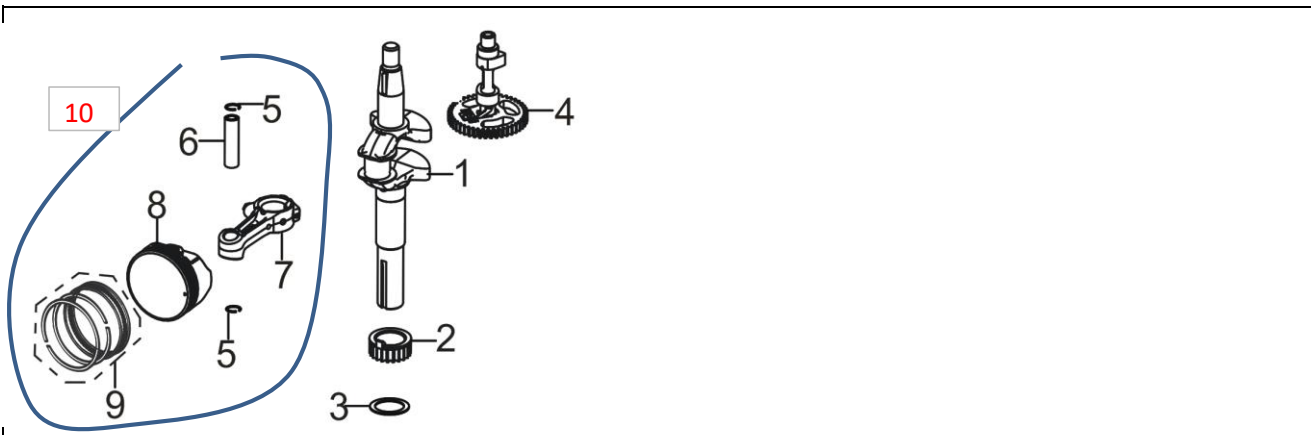
| REF.NO. | PART NO | Pubert Reference | DESCRIPTION | QTY |
|---------|--------------------|------------------|---------------------|-----|
| E02-1 | 11411-Z2P0111-00A0 | 0001210710 | COVER, CRANKCASE | 1 |
| E02-2 | 90682-Z030320-00A0 | | SEAL, OIL | 1 |
| E02-3 | 90001-0630-01A0 | | BOLT | 7 |
| E02-4 | 16400-Z2P0111-00A0 | 0001210711 | GEAR ASSY, GOVERNOR | 1 |
| E02-6 | 90001-0614-01A0 | | BOLT | 1 |
| E02-7 | 90502-0812-00A0 | | POSITION PIN | 2 |

FIG.3 HEAD SUBASSEMBLY, CYLINDER / PLUG, SPARK



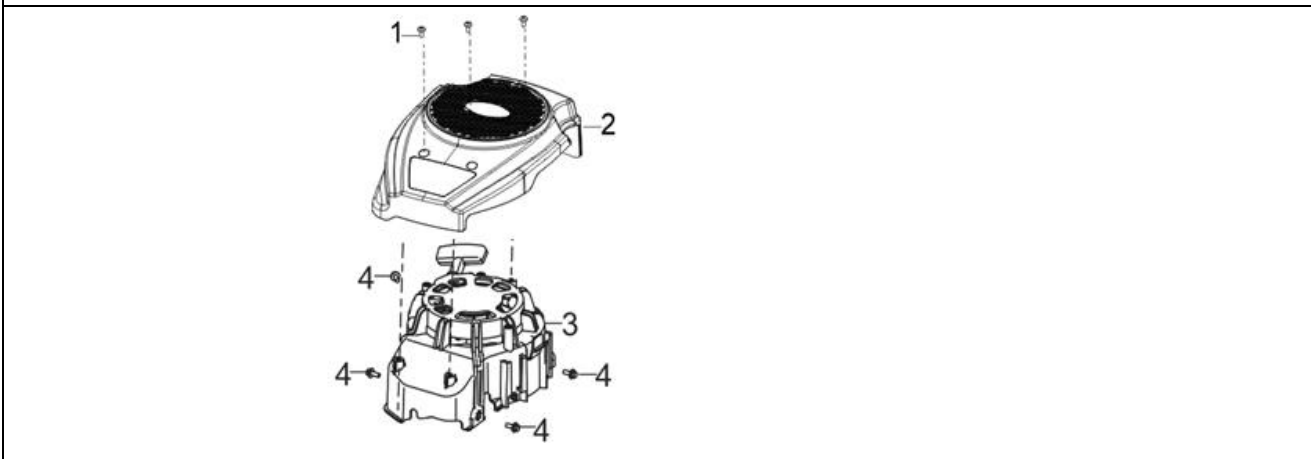
| REF.NO. | PART NO | Pubert Reference | DESCRIPTION | QTY |
|---------|--------------------|------------------|----------------------------|-----|
| E03-1 | 14081-Z2P0110-00A0 | | TAPPET, VALVE | 2 |
| E03-2 | 14071-Z2P0110-00A0 | | LIFTER, VALVE | 2 |
| E03-3 | 12131-Z3C0110-00A0 | 0001210712 | GASKET, CYLINDER HEAD | 1 |
| E03-4 | 12140-Z3C0111-00A0 | 0001210713 | HEAD SUBASSEMBLY, CYLINDER | 1 |
| E03-5 | 90001-0850-01A0 | | BOLT | 4 |
| E03-6 | 30010-Z120110-00A0 | 0001000597 | PLUG, SPARK | 1 |
| E03-7 | 12101-Z010110-00A0 | | GUIDE, SEAL | 1 |
| E03-8 | 12110-Z3C0110-00A0 | 0001210740 | VALVES SET | 2 |
| E03-9 | 12103-Z030110-00A0 | | SPRING, VALVE | 2 |
| E03-10 | 12112-Z010110-00A0 | | SEAT, VALVE SPRING | 2 |
| E03-11 | 14310-Z2P0110-00A0 | | ROCKER SUBASSEMBLY, VALVE | 2 |
| E03-12 | 14330-Z2P0110-00A0 | | SHAFT, VALVE ROCKER | 1 |
| E03-13 | 12411-Z2P0110-00A0 | 0001210714 | COVER, CYLINDER HEAD | 1 |
| E03-14 | 90007-0512-A1A0 | | BOLT | 4 |
| E03-15 | | 0001210744 | TRAIN VALVE | 1 |

FIG.4 ROD, CRANKSHAFT CONNETING (E04)



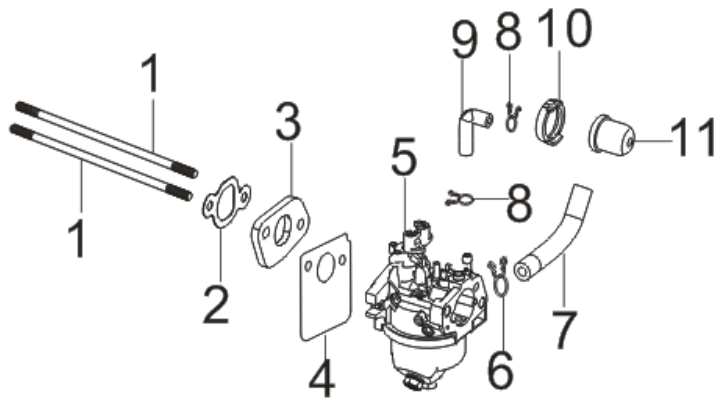
| REF.NO. | PART NO | Pubert Reference | DESCRIPTION | QTY |
|---------|--------------------|------------------|--------------------|-----|
| E04-1 | 13300-Z3C0410-00A0 | 0001210715 | CRANKSHAFT ASSY. | 1 |
| E04-2 | 14014-Z2P0210-00A0 | 0001210716 | GEAR, TIMING DRIVE | 1 |
| E04-3 | 90408-Z030210-00A0 | | FLAT WASHER | 1 |
| E04-4 | 14200-Z2P0111-00A0 | 0001210717 | CAMSHAFT ASSY. | 1 |
| E04-5 | 13122-Z240110-00A0 | 0001210718 | CLIP, PISTON PIN | 2 |
| E04-6 | 13121-Z240110-00A0 | 0001210719 | PIN, PISTON | 1 |
| E04-7 | 13010-Z2P0110-00A0 | 0001210720 | ROD, CONNECTING | 1 |
| E04-8 | 13111-Z3C0112-00A0 | 0001210721 | PISTON | 1 |
| E04-9 | 13200-Z870110-00A0 | 0001210311 | RING ASSY, PISTON | 1 |
| E04-10 | | 0001210742 | Kit piston | |

FIG.5 STARTER,RECOIL (E05)



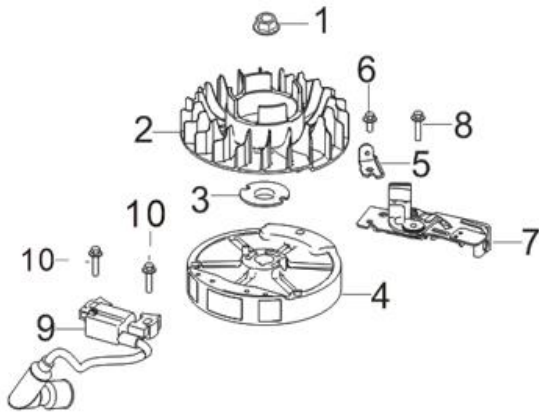
| REF.NO. | PART NO | Pubert Reference | DESCRIPTION | QTY |
|---------|--------------------|------------------|----------------------|-----|
| E05-1 | 90124-Z2P0210-01A0 | | SELF-TAPPING SCREW | 3 |
| E05-2 | 80001-Z2P0110-Q2A0 | 0001210723 | HOUSING, ENGINE | 1 |
| E05-3 | 28200-Z2P0111-Q2A0 | 0001210724 | STARTER ASSY, RECOIL | 1 |
| E05-4 | 90007-0520-A1A0 | | BOLT | 4 |

FIG.6 CARBURETOR ASSY. (E06)



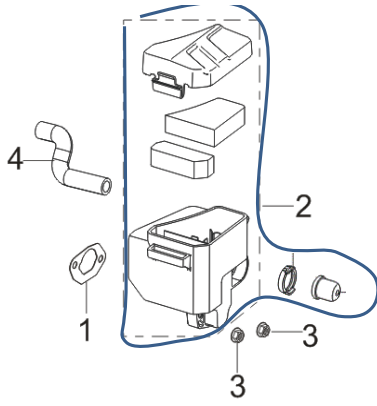
| REF.NO. | PART NO | Pubert Reference | DESCRIPTION | QTY |
|---------|--------------------|------------------|-----------------------------|-----|
| E06-1 | 90204-Z010210-01A0 | | STUD BOLT | 2 |
| E06-2 | 17002-Z2P0110-00A0 | 0001210725 | GASKET, INLET | 1 |
| E06-3 | 16003-Z2P0110-00A0 | 0001210726 | PLATE, CARBURETOR INSULATOR | 1 |
| E06-4 | 16004-Z2P0110-00A0 | 0001210727 | GASKET, INSULATOR PLATE | 1 |
| E06-5 | 16100-Z3C0210-00M0 | 0001210728 | CARBURETOR ASSY. | 1 |
| E06-6 | 90685-1000-01A0 | 0001020019 | PIPE CLAMP | 1 |
| E06-7 | 90686-Z2P0210-00A0 | 0001210729 | TUBE, FUEL | 1 |
| E06-8 | 90685-0700-01A0 | 0001020020 | PIPE CLAMP | 2 |
| E06-9 | 16211-Z2P0110-00A0 | 0001210730 | TUBE, STARTING RICHED VALVE | 1 |
| E06-10 | 16212-Z2P0110-00A0 | | SEAT, STARTING RICHED VALVE | 1 |
| E06-11 | 16213-Z2P0110-00A0 | | VALVE BODY, STARTING RICHED | 1 |

FIG.7 FLYWHEEL / IMPELLER / STARTER PULLEY / IGNITION COIL (E07)



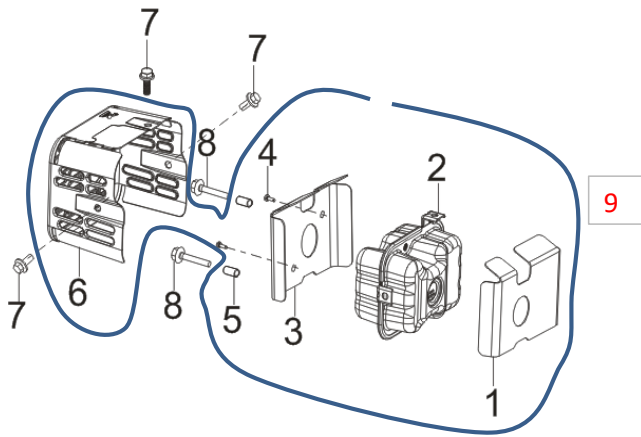
| REF.NO. | PART NO | Pubert Reference | DESCRIPTION | QTY |
|---------|--------------------|------------------|----------------------------------|-----|
| E10-1 | 13501-Z010110-00A0 | 0001180029 | NUT, FLYWHEEL | 1 |
| E10-2 | 19352-Z2P0110-00A0 | 0001210731 | IMPELLER | 1 |
| E10-3 | 28020-Z2P0110-00A0 | 0001210732 | SEAT, STARTER CUP | 1 |
| E10-4 | 13510-Z2P0111-00A0 | 0001210733 | FLYWHEEL SUBASSEMBLY | 1 |
| E10-5 | 30029-Z2P0110-00A0 | 0001210743 | LUG, SHROUD - brake assy support | 1 |
| E10-6 | 90007-0514-A1A0 | | BOLT | 1 |
| E10-7 | 45200-Z2P0310-00A0 | 0001210734 | BRAKE ASSY. | 1 |
| E10-8 | 90007-0520-A1A0 | | BOLT | 1 |
| E10-9 | 30400-Z2P0110-00A0 | 0001210735 | COIL, IGNITION | 1 |
| E10-10 | 90007-0525-A1A0 | | BOLT | 2 |

FIG.8 CLEANER, AIR (F01)



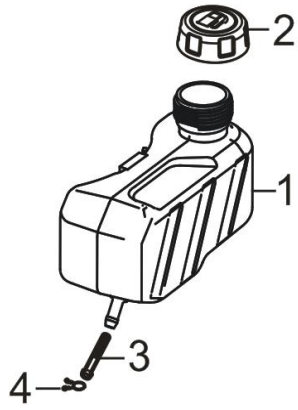
| REF.NO. | PART NO | Pubert Reference | DESCRIPTION | QTY |
|---------|--------------------|------------------|-------------------------|-----|
| F01-1 | 17001-Z2P0110-00A0 | 0001210736 | AIR CLEANER SEAL GASKET | 1 |
| F01-2 | 17100-Z2P0110-00A0 | 0001210737 | AIR CLEANER | 1 |
| F01-3 | 90305-0600-31A0 | | HEXAGON NUT WITH FLANGE | 2 |
| F01-4 | 17004-Z2P0110-00A0 | 0001210738 | TUBE, BREATHER | 1 |

FIG.19 MUFFLER ASSY.



| REF.NO. 序号 | PART NO 物料代码 | Pubert Reference | DESCRIPTION 英文名 | Q'TY 数量 |
|---------------|--------------------|------------------|--------------------------|---------|
| F02-1 | 18020-Z2P0112-00A0 | | PLATE, MUFFLER INSULATOR | 1 |
| F02-2 | 18100-Z2P0310-00A1 | | MUFFLER ASSY. | 1 |
| F02-3 | 18020-Z2P0210-00A1 | | PLATE, MUFFLER INSULATOR | 1 |
| F02-4 | 90124-Z2P0110-01A0 | | SELF-TAPPING SCREW | 2 |
| F02-5 | 90724-Z2P0110-00A0 | | BUSHING | 2 |
| F02-6 | 18130-Z2P0510-00A1 | | MUFFLER OUTER COVER | 1 |
| F02-7 | 90001-0612-01A0 | | BOLT | 3 |
| F02-8 | 90001-0630-01A0 | | BOLT | 2 |
| F02-09 | | 0001210739 | Kit Muffler | |

FIG.10 TANK ASSY, FUEL



| REF.NO. | PART NO | Pubert Reference | DESCRIPTION | QTY |
|---------|--------------------|------------------|------------------|-----|
| F03-1 | 16600-Z2P0110-Q2M0 | 0001210701 | TANK ASSY, FUEL | 1 |
| F03-2 | 16730-Z250210-00A0 | 0001000233 | COVER, FUEL TANK | 1 |
| F03-3 | 16652-Z030110-00A0 | 0001210315 | STRAINER, FUEL | 1 |
| F03-4 | 90685-1000-01A0 | 0001020019 | PIPE CLAMP | 1 |