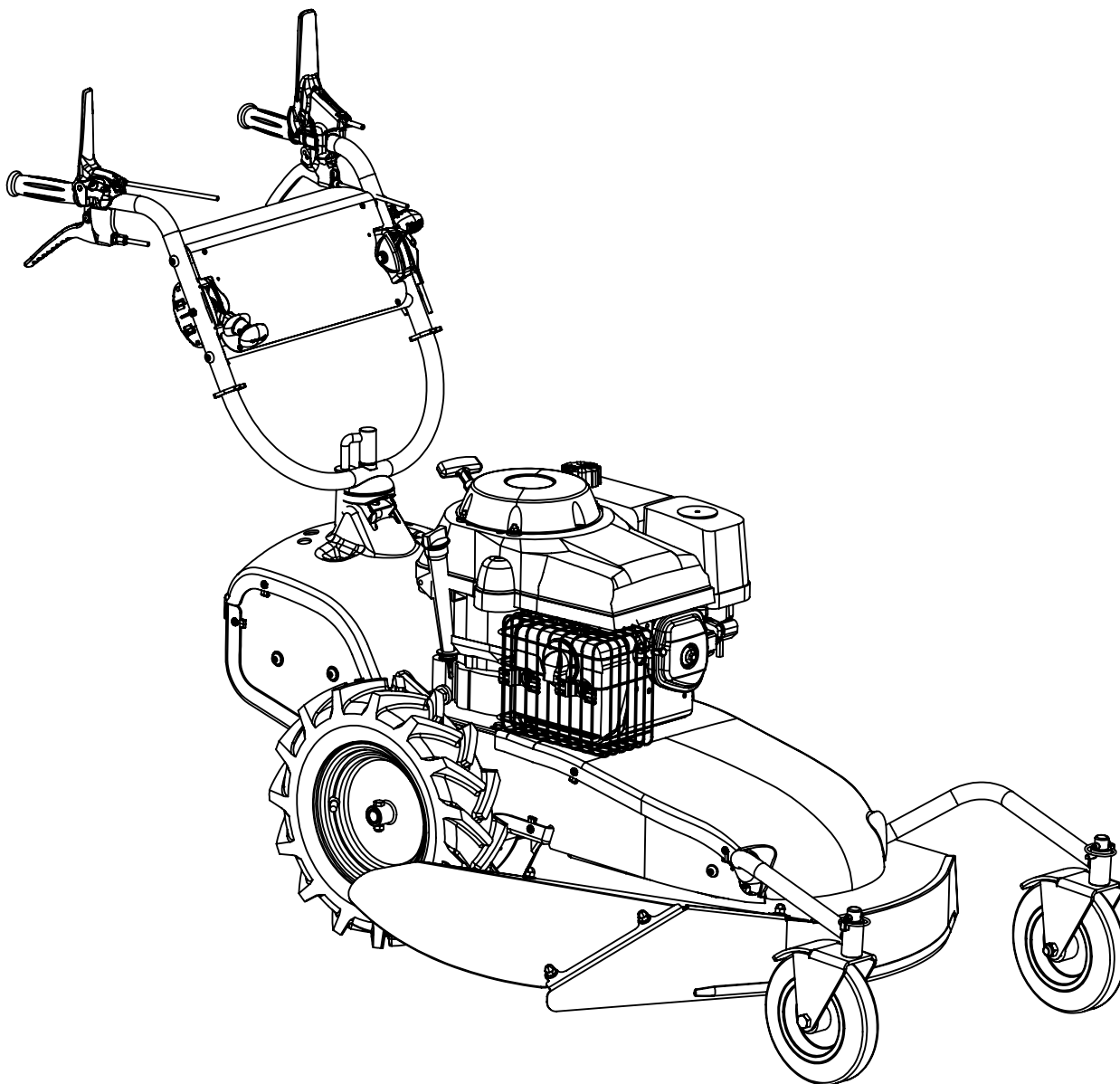
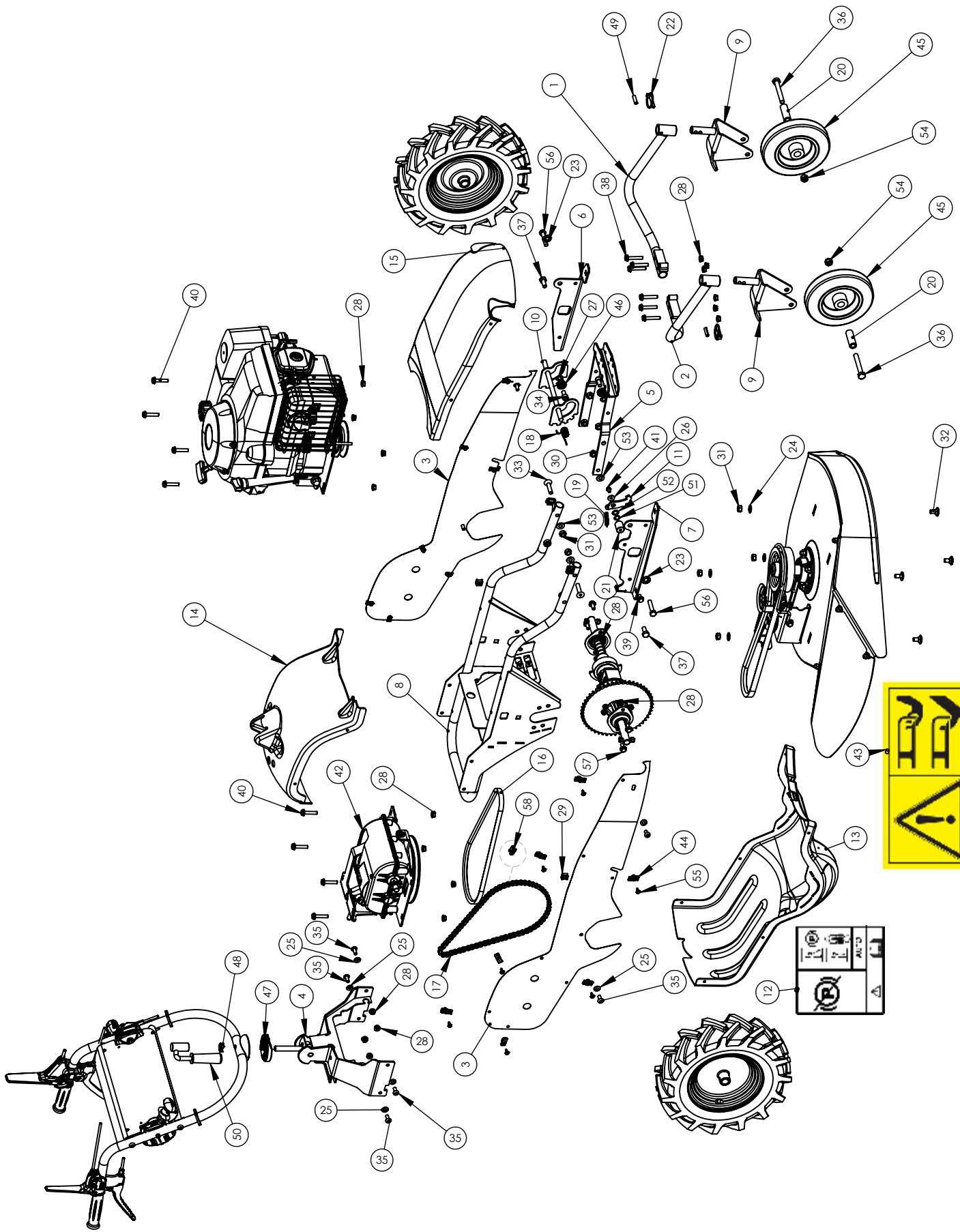


# Pièces de rechange Spare parts list

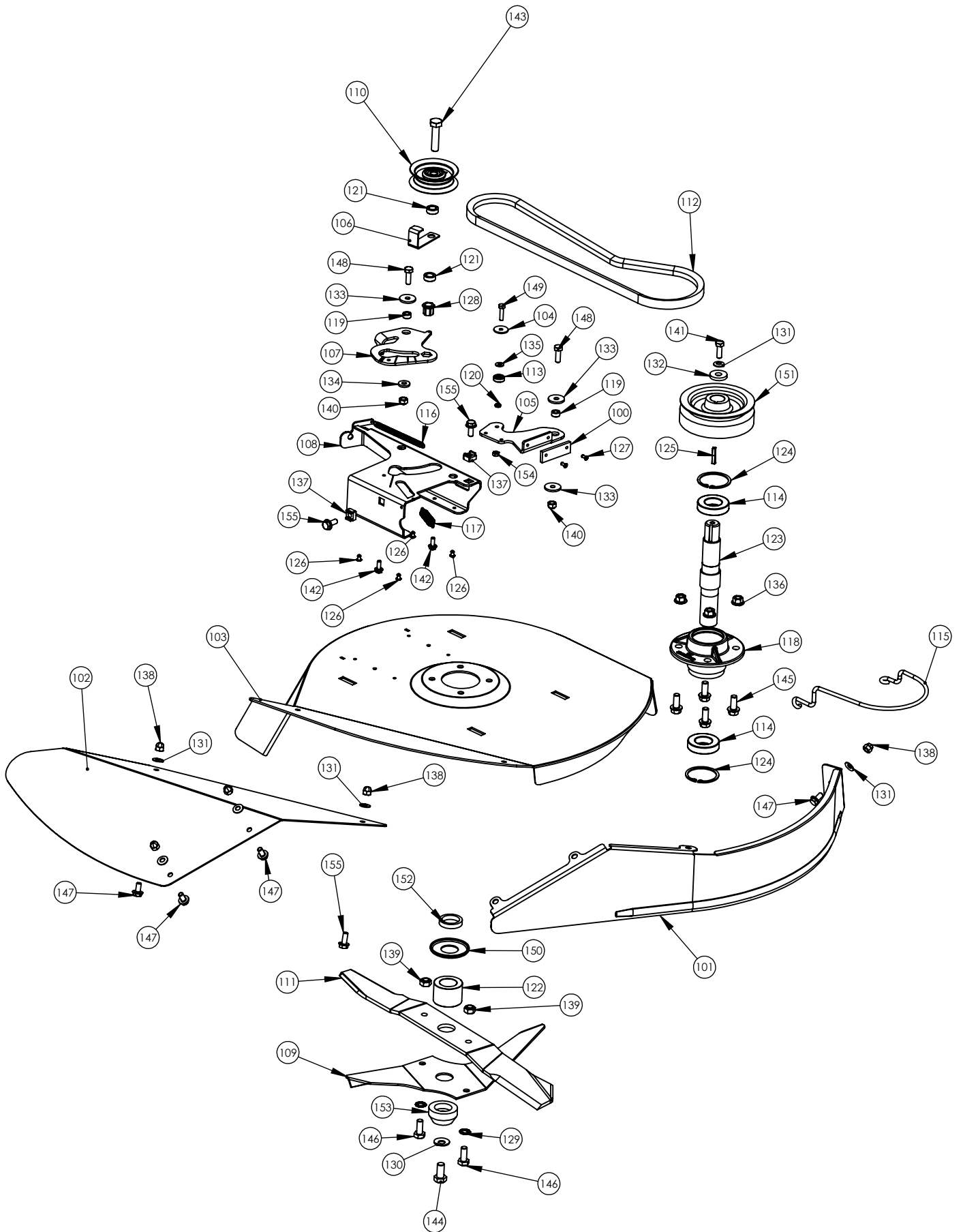
## **KM00\*\*\*\*\***



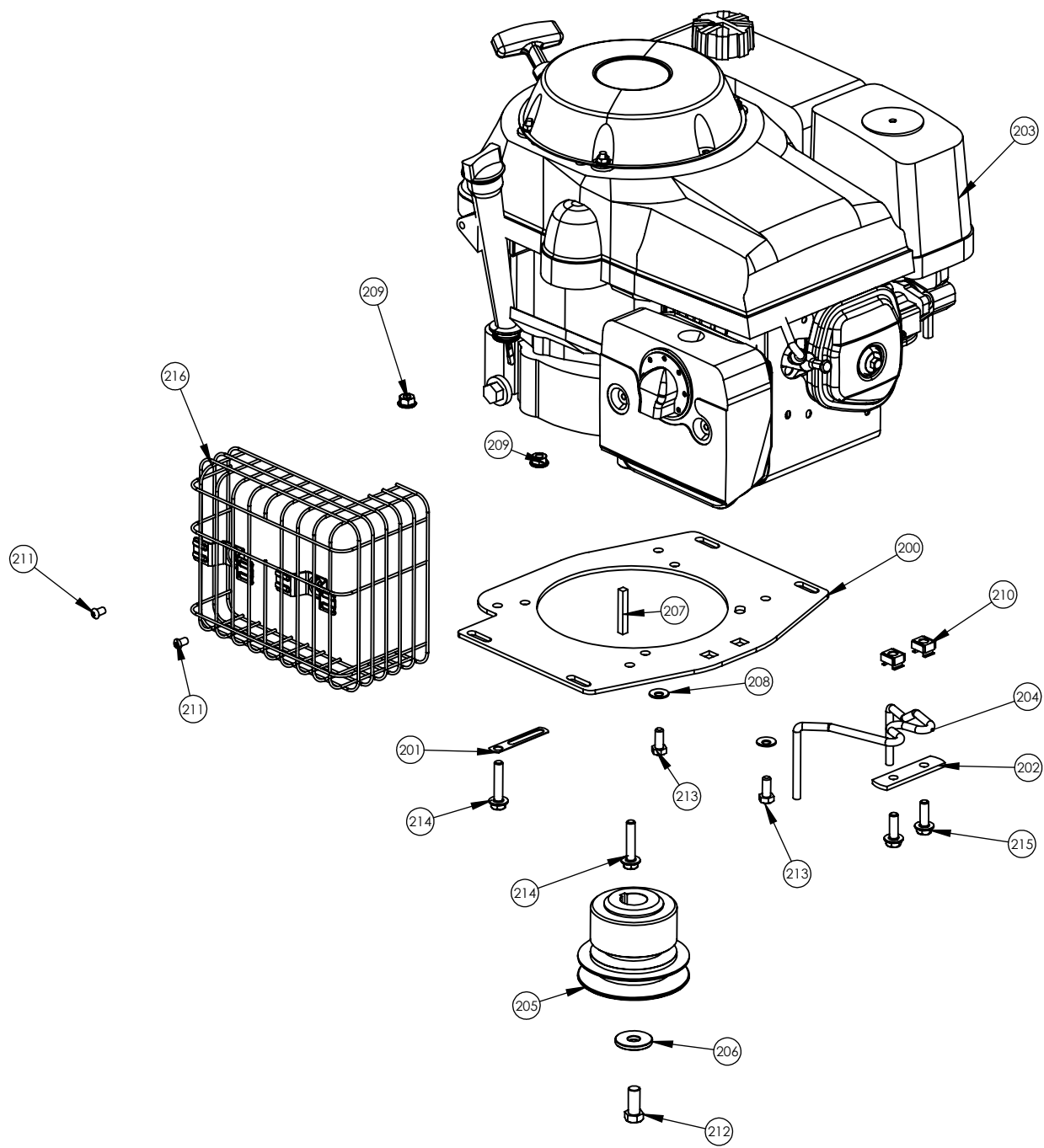
*FAUCHEUSE BROYEUSE  
BRUSH CUTTER*



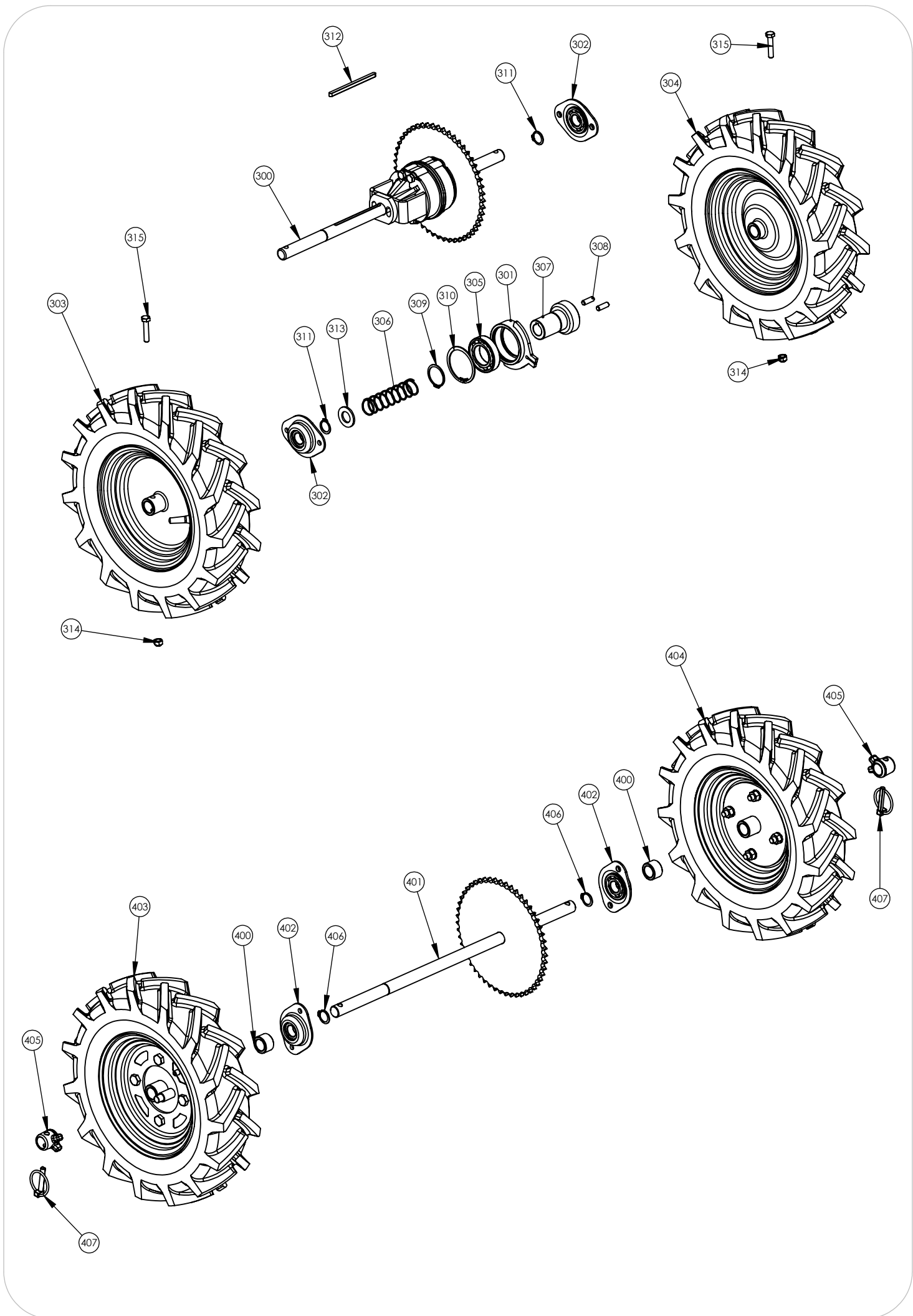
Rep N°	Ref	Désignation	Description	Qté
1	KM02021002	TRAIN AVANT GAUCHE GRIS ALU	ALU GREY L. FRONT WHEEL SUPT	1
2	KM02021001	TRAIN AVANT DROIT GRIS ALU	ALU GREY R. FRONT WHEEL SUPT	1
3	KM02012101	CARTER LATERAL VERT RAL6029	GREEN RAL6029 LATERAL CARTER	2
3	KM02010601-	CARTER LATERAL ROUGE RAL3002	RED RAL 3002 LATERAL CARTER	1
3	KM02010601	CARTER LATERAL ROUGE RAL3002	RED RAL 3002 LATERAL CARTER	1
4	KM02011607	SUPPORT MANCHERON NOIR	BLACK HANDLEBAR SUPPORT	1
5	KM02011606	SUPPORT TRAIN AVANT NOIR	BLACK FRONT WHEELS SUPPORT	1
6	KM02011605	SUPPORT COUPOLE GAUCHE NOIR	LEFT BLACK BLADE GUARD SUPPORT	1
7	KM02011604	SUPPORT COUPOLE DROIT NOIR	RIGHT BLACK BLADE GUARD SUPP	1
8	KM02011601	CHASSIS NOIR	BLACK FRAME	1
9	KM02010206	CHAPE DE ROUE ZN	WHEEL SUPPORT	2
10	KM02010205	AXE ROUE ROCHET ZN	AXLE FOR LEVEL ADJUSTER	1
11	KM02010204	CLIQUET REG HAUTEUR	INDEX HEIGHT ADJUSTEMENT	1
12	K503000041	AUTOCOLLANT COMMANDE DE FREIN	STICKER "BRAKE LEVER"	1
13	K340000072	CAPOT ARRIERE BAS	DOWN BACK CARTER	1
14	K340000071	CAPOT ARRIERE HAUT	HIGH BACK CARTER	1
15	K340000070	CAPOT AVANT KD1101	FRONT COVER	1
16	K306030045	COURROIE A39	V-BELT A39	1
17	K306020020	CHAINE ISO R606 08B-1 PAS 12.7	Chain ISO R606 08B-1	1
18	K305010023	RESSORT DE RELEVAGE HAUTEUR	SPRING FOR LEVEL ADJUSTER	1
19	K305010009	RESSORT DE RAPPEL	SPRING	1
20	K302020050	ENTRETOISE 12.4x20 x 59	SPACER 12.4 x 20 x 59	2
21	K302010092	PIVOT REGLAGE HAUTEUR	PIVOT HEIGHT ADJUSTEMENT	1
22	K301050001	CLIPS DE 8 x 40	CIRCLIPS 8 X 40	2
23	K300461201	RONDELLE STARLOCK Ø 12	STARLOCK WASHER Ø 12	2
24	K300431001	RONDELLE CONTACT M 10	WASHER M10	4
25	K300430801	RONDELLE CONTACT M8	WASHER M8	8
26	K300411901	RONDELLE PLATE 19 x 6.3x 2.5 ZN	WASHER 19 X 6.3 X 2.5 ZN	1
27	K300401101	RONDELLE PLATE 20 x 10 x 1 ZN	PLATE WASHER 20 x 10 x 1	2
28	K300260801	ECROU H M8 EMB CR	NUT H M8 NOTCHED SHOULDER	22
29	K300230802	ECROU ' RAPID' DE 8 C4808 B	NUT RAPID M8 C 4808B	4
30	K300211001	ECROU FREIN M10	BLOCKING NUT M10	4
31	K300201001	ECROU HU M10	NUT HU M10	6
32	K300081002	BOULON TRCC 10 x 20	SCREW TRCC 10 x 20	4
33	K300031001	VIS TFHC M10x45	SCREW TFHC M10X45	2
34	K300021001	VIS CHC 10 X 20 KG Z ac	SCREW CHC 10 X 20	2
35	K300020809	VIS BHC 8x20 CL10.9 ZN DEG	SCREW BHC 8x20 CL10.9 ZN DEG	8
36	K300011212	VIS H12 x 85	SCREW H 12 X 85	2
37	K300011009	VIS TH 10 x 25 ZN	SCREW TH 10 X 25 ZN	2
38	K300010837	Vis HM 8x45 Z emb cr	SCREW H NOTCHED SHOULDE 8X45	6
39	K300010830	VIS H 8 x 16 EMB CR	SCREW H 8 x 16 NOTCHED SHOULDER	1
40	K300010803	VIS H EMB CR 8 x 40	SCREW H NOTCHED SHOULDER 8 X 40	8
41	K300010617	VIS H 6 x 10 EMB CR	SCREW H 6 X 10 NOTCHED SHOULDER	1
42	4001000013	TRANSMISSION MODULAIRE V2	MODULAR TRANSMISSION	1
43	0503000006	AUTO-COLLANT DANGER LAME 78 X	Label "danger sticker"	2
44	0340000002	ATTACHE IMP D6 EP2.5 L15	Captive fastener for screw 4.2	14
45	0309000009	ROUE CENTAURE 281 PEL 20	Front Wheel Ø200	2
46	0306010034	ROULEMENT 6000 2RS 10x26x8	6000 2RS BALL BEARING 10X26X8	2
47	0303000023	NOIX CRANTEE M0701	M0701 FILLER PIECE	1
48	0302020037	ENTRETOISE POIGNEE SERRAGE	TIGHTENING LEVER SPACER	1
49	0301020007	GOUPILLE mecanindus 8X30	Cotter-pin 8x30	2
50	0300801401	POIGNEE SERRAGE M14x150	HANDLEBAR TIGHTENING LEVER	1
51	0300421202	RONDELLE ELASTIQUE ONDULEE	WASHER WAVY	1
52	0300411302	RONDELLE SERRAGE 12X18X1	SHIM 12X18X1	1
53	0300401002	RONDELLE PLATE M 10X22X2 Z	PLATE WASHER M 10X22X2 Z	4
54	0300211201	ECROU FREIN M 12 Z DIN 985/8	BLOCKING NUT M 12 Z	2
55	0300080405	VIS TOLE TETE POELIER D11	SCREW POZI 4.2X16Z	14
56	0300011014	VIS-DIN931-8.8-CLÉ17-M10X50	SCREW H M10x50 z	2
57	0300010816	VIS H 8x20 Z EMB CR	SCREW H M8X20 Z	4
58	0306020028	ATTACHE RAPIDE 08B-12.7	QUICK FASTENER	1



Rep N°	Ref	Désignation	Description	Qté
100	KM04020001	GARNITURE DE FREIN	BRAKE	1
101	KM02031903	BANDEAU TONDEUSE GRIS RAL 7021	GREY RAL 7021 FRONT DEFLECTOR	1
102	KM02031902	TÔLE ENDAINEUR GRIS RAL 7021	GREY RAL 7021 SIDE DEFLECTOR	1
103	KM02031901	COUPOLE GRIS RAL 7021	BLADE GUARD RAL 7021	1
104	KM02020205	RONDELLE PLATE 6.2 x 25 x 2 ZN	WASHER 6.2 x 25 x 2	1
105	KM02020204	LEVIER PORTE FREIN	BRAKE LEVER	1
106	KM02020203	PLAT GALET DE TENSION	PLATE OF CLUTCH RUNNER	1
107	KM02020202	LEVIER EMBR DE LAME	CLUTCH LEVER	1
108	KM02020201	PLATINE EMBRAYAGE ZN	CLUTCH SUPPORT	1
109	KM02011603	EJECTEUR NOIR	VENTILATING PLATE	1
110	KD03010001	GALET A GORGE ARRONDIE	RUNNER	1
111	K320020027	LAME DE 600	BLADE 600 MM	1
112	K306030032	COURROIE DE LAME LB45	BLADE V-BELT LB45	1
113	K306010043	ROULEMENT 2RS 6 x 19 x 6	BEARING 1 2RS 6 x 19 x 6	1
114	K306010032	ROULEMENT 6006 2 RS	BEARING 6006 2 RS	2
115	K305030019	GUIDE COURROIE	BELT GUIDE	1
116	K305010022	RESSORT DE RAPPEL	SPRING	1
117	K305010021	RESSORT DE RAPPEL	SPRING	1
118	K302030067	PALIER COUPELLE	Blade guard bearing	1
119	K302020111	ENTRETOISE 8 x 14 x 7,3	RUNNER SPACER	2
120	K302020110	ENTRETOISE 6.2 x 10 x 3	SPACER 6.2 x 10 x 3	1
121	K302020109	ENTRETOISE 12.2 x 20 x 8	RUNNER SPACER	2
122	K302020108	ENTRETOISE 50x30x35.5	SPACER 50x30x35.5	1
123	K302010091	ARBRE LAME	BLADE SHAFT	1
124	K301070014	CIRCLIPS INTERIEUR DE 55 DIN	CIRCLIPS INT 55 DIN	2
125	K301040014	CLAVETTE 5 x 5 x 30	KEY 5 X 5 X 30	1
126	K301000015	RIVET INOX A2 4.8x12	RIVET STAINLESS STEEL 4.8x12	4
127	K301000011	RIVET ALU / ACIER TP 4 x 12	RIVET ALU / STEEL TP 4 X 12	2
128	K300601201	RIVKLE BOLLHOF M12 HEXA	RIVKLE BOLLHOF M12	1
129	K300441001	RONDELLE EVENTAIL AZ 10 ZN	WASHER AZ 10 ZN	2
130	K300431201	RONDELLE CONTACT M12 NFE 25-511 ZN	Elastic washer 12 Bic	1
131	K300430801	RONDELLE CONTACT M8	WASHER M8	6
132	K300401103	RONDELLE PLATE 30 x 11 x 5 ZN	WASHER 30 X 11 X 5 ZN	1
133	K300400803	RONDELLE PLATE 28 x 8 x 3 ZN	PLATE WASHER 28 X 8 X 3	3
134	K300400801	RONDELLE PLATE ZN 8 x 20 x 3	WASHER 8 x 20 x 3	1
135	K300400602	RONDELLE PLATE 14 x 6 x 1.2 ZN	WASHER 14 x 6 x 1.2 ZN	1
136	K300261001	ECROU H M10 EMB CR	NUT H M10 NOTCHED SHOULDER	4
137	K300230802	ECROU ' RAPID' DE 8 C4808 B	NUT RAPID M8 C 4808B	2
138	K300220802	ECROU BORGNE M8	NUT M8	5
139	K300211001	ECROU FREIN M10	BLOCKING NUT M10	2
140	K300210801	ECROU FREIN H M8	NUT,NYLOC M8	2
141	K300090804	VIS A GAUCHE 8 x 25	SCREW Z 8 X 25	1
142	K300090603	VIS SPIRAFORM 6 x 16	SCREW SPIRAFORM 6 X 16	2
143	K300011213	VIS H12 x 50	SCREW H 12 X 50	1
144	K300011210	VIS TH 12 x 25 BRUT 10.9	SCREW TH 12 X 25 10.9 BRUT	1
145	K300011025	VIS H 10 x 25 EMB CR	SCREW H NOTCHED SHOULDER 10 X 25	4
146	K300011009	VIS TH 10 x 25 ZN	SCREW TH 10 X 25 ZN	2
147	K300010830	VIS H 8 x 16 EMB CR	SCREW H 8 x 16 NOTCHED SHOULDER	4
148	K300010817	VIS TH 8 x 25 ZN	SCREW TH 8 X 25 ZN	2
149	K300010614	VIS TH 6 x 25 ZN	SCREW TH 6 X 25	1
150	5504000032	RONDELLE PROTEC ARBRE COUP	Cup shaft protection washer	1
151	0306060012	POULIE COUPELLE L/GT/GTP	Blade guard pulley	1
152	0302020043	RONDELLE LAME EP8 ZN	Spacer 40 x 30,5 x 8	1
153	0302020041	RONDELLE DE SERRAGE	Blocking washer	1
154	0300210602	ECROU FREIN M 6 Z DIN 985-8	BLOCKING NUT M 6 Z	1
155	0300010816	VIS H 8x20 Z EMB CR	SCREW H M8X20 Z	3



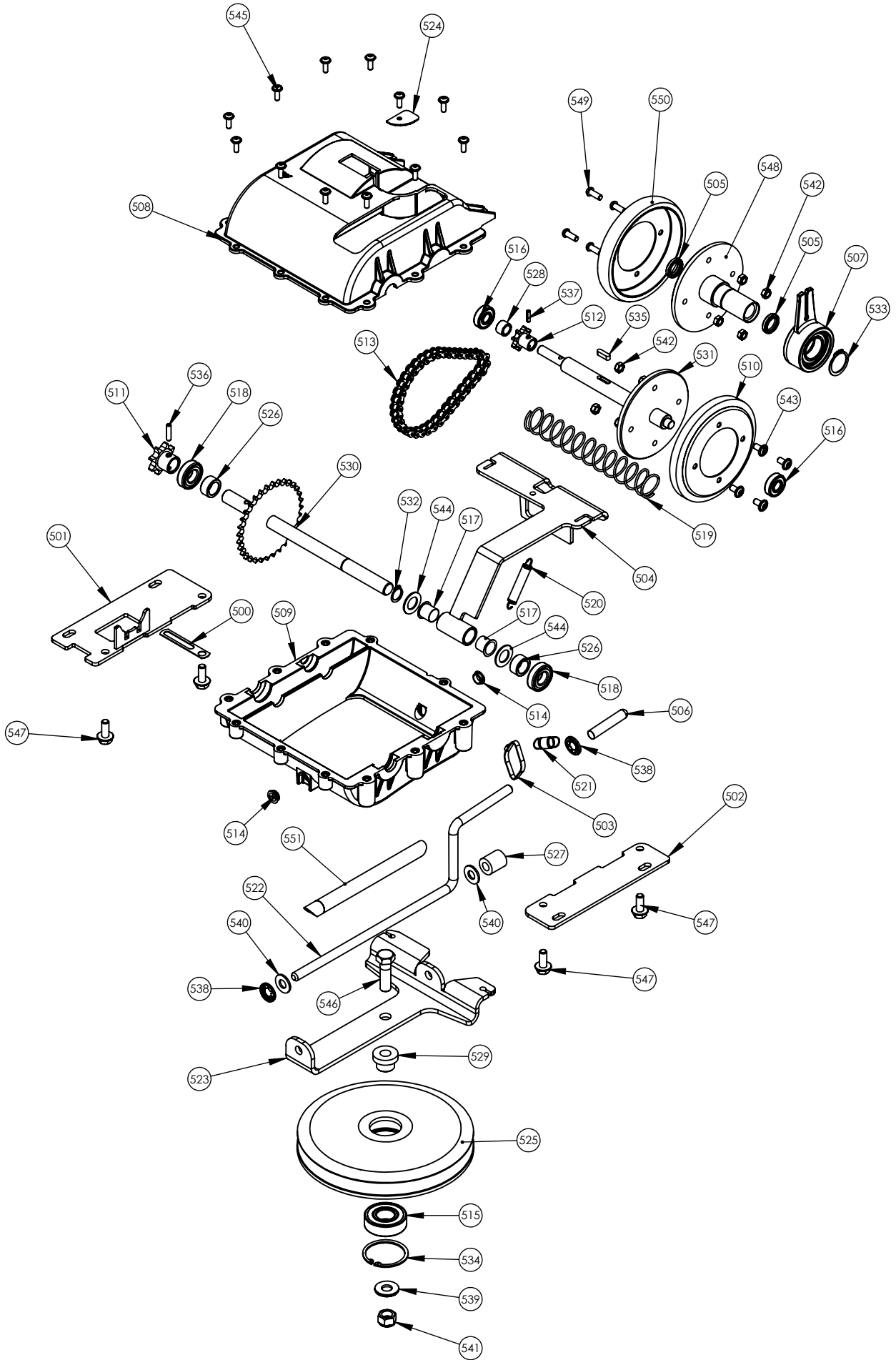
Rep N°	Ref	Désignation	Description	GXV340/ Quantité	RV225/ Quantité
200	KM02011602	SUPPORT MOTEUR NOIR	BLACK MOTOR SUPPORT	1	1
201	KM02010203	SERRE CABLE ZN	CABLE LOCK	1	1
202	KE02020211	PLAT FIXATION PLAQUE DE DEB FIL LASER	BELT GUIDE PLAT FIXATION	1	1
203	K330010107	MOTEUR HONDA GXV340 11 CV VERTICAL*	HONDA GXV 340 ENGINE*	1	-
203	0330091010	RV225		-	1
204	K305030018	PLAQUE DE DEBRAYAGE	CLUTCH PLATE	1	1
205	K302030102	POULIE MOTEUR	MOTOR PULLEY	1	-
205	K302030104	POULIE MOTEUR	MOTOR PULLEY	-	1
206	K302020002	RONDELLE PLATE	PLATE WASHER	1	-
206	K300401103	RONDELLE PLATE 30 x 11 x 5 ZN	WASHER 30 X 11 X 5 ZN	-	1
206	K300431001	RONDELLE CONTACT M 10	WASHER M10	-	1
207	K301040002	CLAVETTE B.DROIT 4.76 x 4.76 x 37	KEY 4.76 X 4.76 X 37	-	1
207	K301040004	CLAVETTE BOUT DROIT DE 6.35 x 6.35 x 45	KEY RIGHT END 6.35 X 6.35 X 45	1	-
208	K300430801	RONDELLE CONTACT M8	WASHER M8	2	-
209	K300260801	ECROU H M8 EMB CR	NUT H M8 NOTCHED SHOULDER	2	2
210	K300230803	ECROU RAPID M8 C 4808 C	NUT RAPID M8 C 4808C	2	2
211	K300070601	VIS TOLE TCL POZ 6.3 x 13 ZN	SCREW TCL POZ 6.3 X 13 ZN	2	-
212	K300060302	VIS TH3/8 UNF1 ZING	SCREW TH 3/8 UNF1 ZN	-	1
212	K300060701	VIS TH 7/16 8.8 UNF 1	SCREW TH 7/16 8.8 UNF 1	1	-
213	0300010816	VIS H 8x20 Z EMB CR	SCREW H M8X20 Z	-	2
213	K300060503	VIS TH 5/16 UNF 3/4	SCREW TH 5/16 UNF 3/4	2	-
214	K300010803	VIS H EMB CR 8 x 40	SCREW H NOTCHED SHOULDER 8 X 40	2	2
215	K300010801	VIS H EMB CR 8 x 25	SCREW H NOTCHED SHOULDER 8 X 25	2	2
216	0330012011	GRILLE ECHAPPEMENT GXV340	EXHAUST GRILL GXV340	1	-



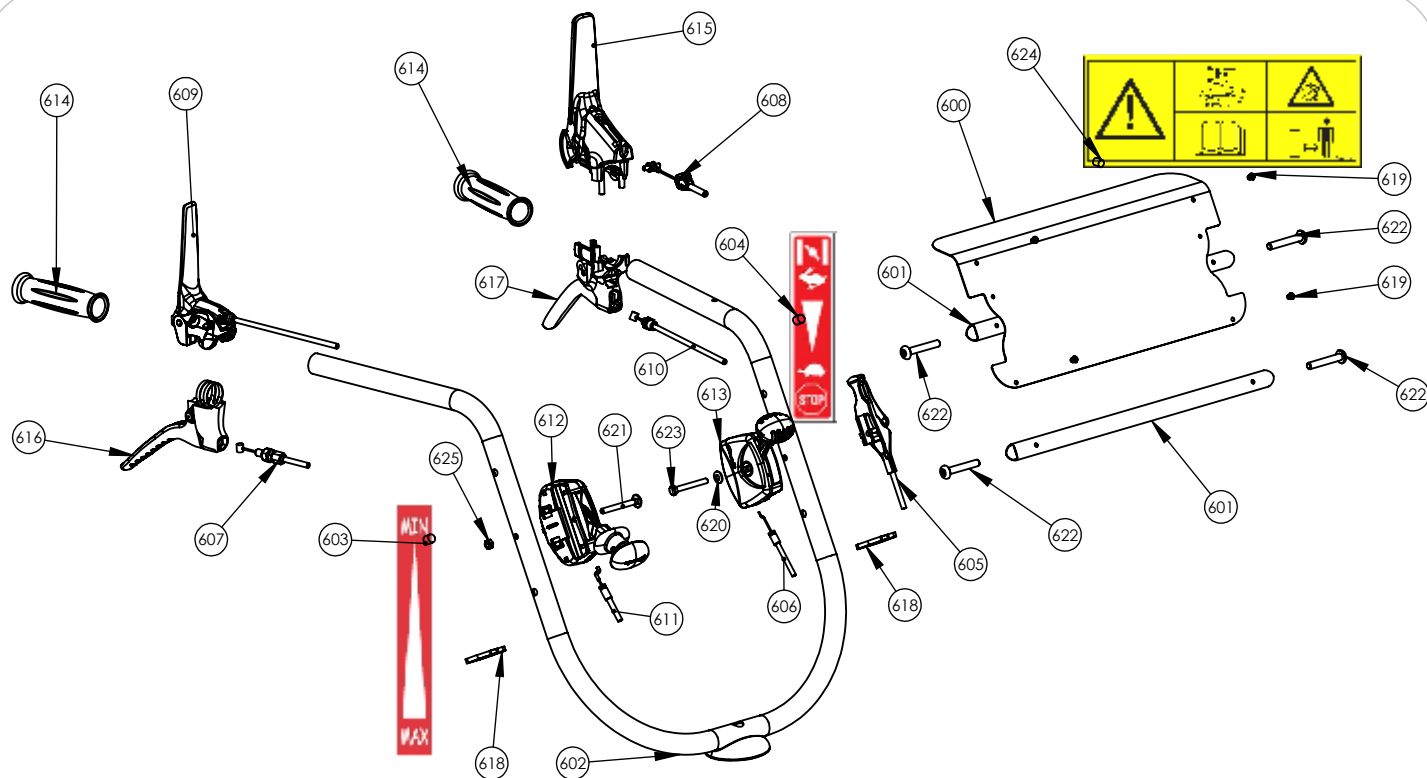


Rep N°	Ref	Désignation	Description	Qté
300	KM03010008	DIFFERENTIEL	DIFFERENTIAL GEAR	1
301	KM02030202	LEVIER CRABOT	LOCKING LEVER	1
302	KC01010001	PALIER AVEC RLT. DE 20 ASSEMBLE	SELF-ALIGNING BEARING UNIT	2
303	K309000003	PNEU DE 400	TIRE Ø 400	1
303	K309000042	ROUE DROITE 3,50-8 TUBELESS	RIGHT WHEEL 3.50-8	1
304	K309000041	ROUE GAUCHE 3,50-8 TUBELESS	LEFT WHEEL 3.50-8	1
305	K306010017	ROULEMENT 6007 2 RS	BEARING 6007 2 RS	1
306	K305020011	RESSORT BLOCAGE DIFFERENTIEL	Locking spring	1
307	K302030100	CRABOT	LOCKING	1
308	K301110002	GOUPILLE CYLINDRIQUE 8 x 24	PIN 8 X 24	2
309	K301070016	CIRCLIPS EXTERIEUR DE 35	External retaiting ring 35	1
310	K301070009	CIRCLIPS INTERIEUR DE 62	EXTERNAL RETAITING RING 62	1
311	K301070006	CIRCLIPS EXTERIEUR DE 20	CIRCLIPS EXT 20	2
312	K301040020	CLAVETTE BA 6 x 6 x 110	KEZ BA 6 x 6 x 110	1
313	K300402001	RONDELLE PLATE 20 X 36 X 3	PLATE WASHER 20 X 36 X 3	1
314	K300210801	ECROU FREIN H M8	NUT,NYLOC M8	2
315	K300010836	VIS TH 8 x40 BRUT 10.9	SCREW TH 8X40 10.9	2

Rep N°	Ref	Désignation	Description	Qté
400	KM02030205	ENTRETOISE ROUE	WHEEL SPACER	2
401	KM02030204	ESSIEU 51 DENTS	WHEEL SHAFT 51 THEETH	1
402	KC01010001	PALIER AVEC RLT. DE 20 ASSEMBLE	SELF-ALIGNING BEARING UNIT	2
403	K309000025	ROUE GAUCHE DE 400	LEFT BACK WHEEL	1
404	K309000020	ROUE DROITE DE 400	RIGHT BACK WHEEL	1
405	K302000005	BUTEE D'ENTRAINEMENT DE ROUE	3/4 TURN NUT	2
406	K301070006	CIRCLIPS EXTERIEUR DE 20	CIRCLIPS EXT 20	2
407	K301050001	CLIPS DE 8 x 40	CIRCLIPS 8 X 40	2



Rep N°	Ref	Désignation	Description	Qté
500	KM02010203	SERRE CABLE ZN	CABLE LOCK	1
501	KM02010202	SUPPORT BOITE DROIT KM ZN	RIGHT SUPPORT TRANS MOD	1
502	KM02010201	SUPPORT GAUCHE TRANS. MOD ZN	LEFT SUPPORT TRANS MOD ZN	1
503	K301060002	COLLIER PLASTIQUE NOIR	TIE-CABLE	1
504	4002000203	FREIN TRANS MOD V2	Modular transmission brake	1
505	0343020004	JOINT A LEVRE 17X23X4/5 NBR	Lip seal 17x23x4/5 NBR	2
506	0341000024	EMBOU TYPE A -D9 LG 50 NOIR	End piece length: 50	1
507	0340030043	FOURCHETTE	Modular transmission	1
508	0340030042	CARTER SUPERIEUR	MODULAR TRANSMISSION	1
509	0340030041	CARTER INFERIEUR	Modular transmission	1
510	0306060030	RONDELLE DE FRICTION SURMOULEE	OVERMOLDED FRICTION WASHER	1
511	0306050036	PIGNON 8 DENTS PAS 12.7	SPROCKET 8 TEETH PITCH 12.7	1
512	0306050035	PIGNON 8 DENTS PAS 9.525	SPROCKET 8 TEETH PITCH 9.525	1
513	0306020024	CHAINE ISO 06B-1 PAS 9.525	CHAIN ISO 06B-1 PITCH 9.525	1
514	0306010036	BAGUE IGUS MCM 10-03	IGUS RING MCM 10-03	2
515	0306010035	ROULEMENT 6204 DDU EMQV1	6204 DDU EMQV1 Ball-Bearing	1
516	0306010034	ROULEMENT 6000 2RS 10x26x8	6000 2RS BALL BEARING 10X26X8	2
517	0306010033	Bague IGUS JFM-1517-12	IGUS bearing ring JFM-15-17-12	2
518	0306010005	ROULEMENT 6002 2RS	BEARING BALL 6002 2RS	2
519	0305020014	RESSORT VARIATION VITESSE	LOCKING SPRING	1
520	0305010040	RESSORT DE RAPPEL	SPRING	1
521	0305010039	RESSORT RAPPEL	SPRING	1
522	0305000008	MANETTE FREIN TRANS MOD	Brake handlever	1
523	0304000298	BALANCIER TRANS MOD	WALKING BEAM MOD TRANS	1
524	0304000276	PLATINE CABLE TRANS MOD	CABLE PLATE	1
525	0303010002	POULIE OSCILLANTE TRANS MOD	OSCILLATING PULLEY	1
526	0302020099	ENTRETOISE 22x15x10.6	SPACER 22x15x10.6	2
527	0302020098	ENTRETOISE Ø10.2XØ20X23	SPACER Ø10.2xØ20x23	1
528	0302020097	ENTRETOISE 15x10.2x10	SPACER 15x10.2x10	1
529	0302010104	AXE DE POULIE OSCILLANTE	Oscillating pulley axle	1
530	0302010102	ARBRE SORTIE TRANS MOD	Output shaft	1
531	0302010100	ARBRE VARIATION TRANS MOD	Speed variation shaft	1
532	0301070023	CIRCLIPS EXT. DE 15	EXTERNAL RETAITING RING 15	1
533	0301070011	CIRCLIPS EXT. DE 25	EXTERNAL RETATING RING 25	1
534	0301070006	CIRCLIP INTERIEUR 47 DIN472-47	INTERNAL RETAINING RING	1
535	0301040022	CLAVETTE 5x5x18 BTS ROND	KEY 5x5x18 DIN 6885 A	1
536	0301020015	GOUPILLE HBK 5X20 ISO 8748ST	PIN Ø5x20	1
537	0301020011	GOUPILLE HBK 4x14 ISO 8748ST	PIN Ø4x16 HBK	1
538	0300461001	RONDELLE STARLOCK Ø10	Starlock washer Ø10	2
539	0300401201	RONDELLE PLATE M 12X27X2.5 Z	PLATE WASHER M 12X27X2.5 Z	1
540	0300401002	RONDELLE PLATE M 10X22X2 Z	PLATE WASHER M 10X22X2 Z	2
541	0300211201	ECROU FREIN M 12 Z DIN 985/8	BLOCKING NUT M 12 Z	1
542	0300210602	ECROU FREIN M 6 Z DIN 985-8	BLOCKING NUT M 6 Z	8
543	0300110606	VIS-WN7380/2-010.9-TX30-M6X12	Screw Torx M6x12	4
544	0300081501	RONDELLE PLATE 26x15.2x1.5 Z	Washer 26x15.2x1.5 Z	2
545	0300080505	VIS MX TCBL TORX M5X16 Z	SCREW TORX M5x16	12
546	0300011203	VIS H 12 X 40 Z DIN 933/8.8	Screw HM 12x40z	1
547	0300010816	VIS H 8x20 Z EMB CR	SCREW H M8X20 Z	4
548	0302010101	MOYEU MAV TRANS MOD	FORWARD HUB MODULAR TRANS	1
549	0300110605	VIS-DIN7985-4.8-TX30-M6X16	Screw Torx M6x16	4
550	0306060066	RONDELLE DE FRICTION COLLEE	FRICTION WASHER HD 5504	1
551	0302020261	ENTRETOISE RENFORT	REINFORCING SPACER	1



Rep N°	Ref	Désignation	Description	GXV 340 Diff / Qty	GXV 340 Sans diff /Qty	RV225 Diff/Qty	RV225 sans diff/Qty
600	KM02022101	TOLE MANCHERON VERT RAL6029	GREEN RAL6029 HANDLEBAR SHEET	1	1	1	1
600	KM02020601	TOLE MANCHERON ROUGE RAL3002	RED RAL 3002 HANDLEBAR SHEET	1	1	1	1
601	KM02011002	TUBE LIAISON GUIDON GRIS ALU	HANDLEBAR ALU GREY LINK TUBE	2	2	2	2
602	KM02011001	MANCHERON GRIS ALU	GREY HANDLEBAR	1	1	1	1
603	K503000058-	AUTOCOLLANT SELECTION VITESSE	STICKER " SPEED SELECTION"	1	1	1	1
604	K503000031-	AUTOCOLLANT ACCELERATEUR STOP SANS STARTER	STICKER "ENGINE SPEED VARIATION" WITHOUT STARTER	-	-	1	1
604	K503000005-	AUTOCOLLANT ACCELERATEUR STOP + STARTER	STICKER "SPEED VARIATION" WITH STARTER	1	1	-	-
605	K308070001	CABLE COMMANDE CRABOT	CLUTCH CONTROL CABLE	1	-	1	-
606	K308040012	CABLE COMMANDE DES GAZ	THROTTLE CABLE	-	-	1	1
606	K308040026	COMMANDE DE GAZ	THROTTLE CABLE	1	1	-	-
607	K308030012	CABLE REG HAUTEUR	HEIGHT SETTING CABLE	1	1	1	1
608	K308020035	CABLE EMBR DE LAME	BLADE CLUTCH CABLE	1	1	1	1
609	K308010037	CABLE ASS K308010035 + LEVIER	CABLE K308010035 + LEVER	1	1	1	1
610	K308010036	CABLE EMBRAYAGE ARRIERE V2	Rear clutch cable V2	1	1	1	1
611	K308010034	CABLE VARIATION VITESSE	Bent variation speed cable	1	1	1	1
612	K307020015	MANETTE VAR. VITESSE x	Locking throttle LGK07FK40	1	1	1	1
613	K307020010	POIGNEE GAZ	THROTTLE LEVER	1	1	1	1
614	K307020005	POIGNEE CAOUTCHOUC DIAM 25	GRIP	2	2	2	2
615	K307010036	LEVIER EMBR DE LAME	CLUTCH LEVER	1	1	1	1
616	K307010035	LEVIER REGLAGE HAUTEUR	HEIGHT SETTING LEVER	1	1	1	1
617	K307010034	LEVIER DE COMMANDE M.R	M.R CLUTCH LEVER	1	1	1	1
618	K301060002	COLLIER PLASTIQUE NOIR	TIE-CABLE	2	2	2	2
619	K301000012	RIVET ACIER/ACIER 4x12	RIVET STEEL/STEEL 4x12	4	4	4	4
620	K300430601	RONDELLE CONTACT M6	WASHER M6	1	-	1	-
621	K300080607	BOULON TRCC 6 x 55	SCREW TRCC 6 X 55	1	1	1	1
622	K300020808	VIS BHC 8x50 CL10.9 ZN DEG	SCREW BHC 8x50 CL10.9 ZN DEG	4	4	4	4
623	K300010608	VIS TH 6 x 50 ZN ISO 4017	SCREW TH 6 x 50	1	-	1	-
623	K300080603	BOULON TRCC 6 x 45	SCREW TRCC 6 X 45	-	1	-	1
624	0503000016	ETIQ "PRECAUTIONS EMPLOI"	"Safety instructions" label	1	1	1	1
625	0300210602	ECROU FREIN M 6 Z DIN 985-8	BLOCKING NUT M 6 Z	1	2	1	2