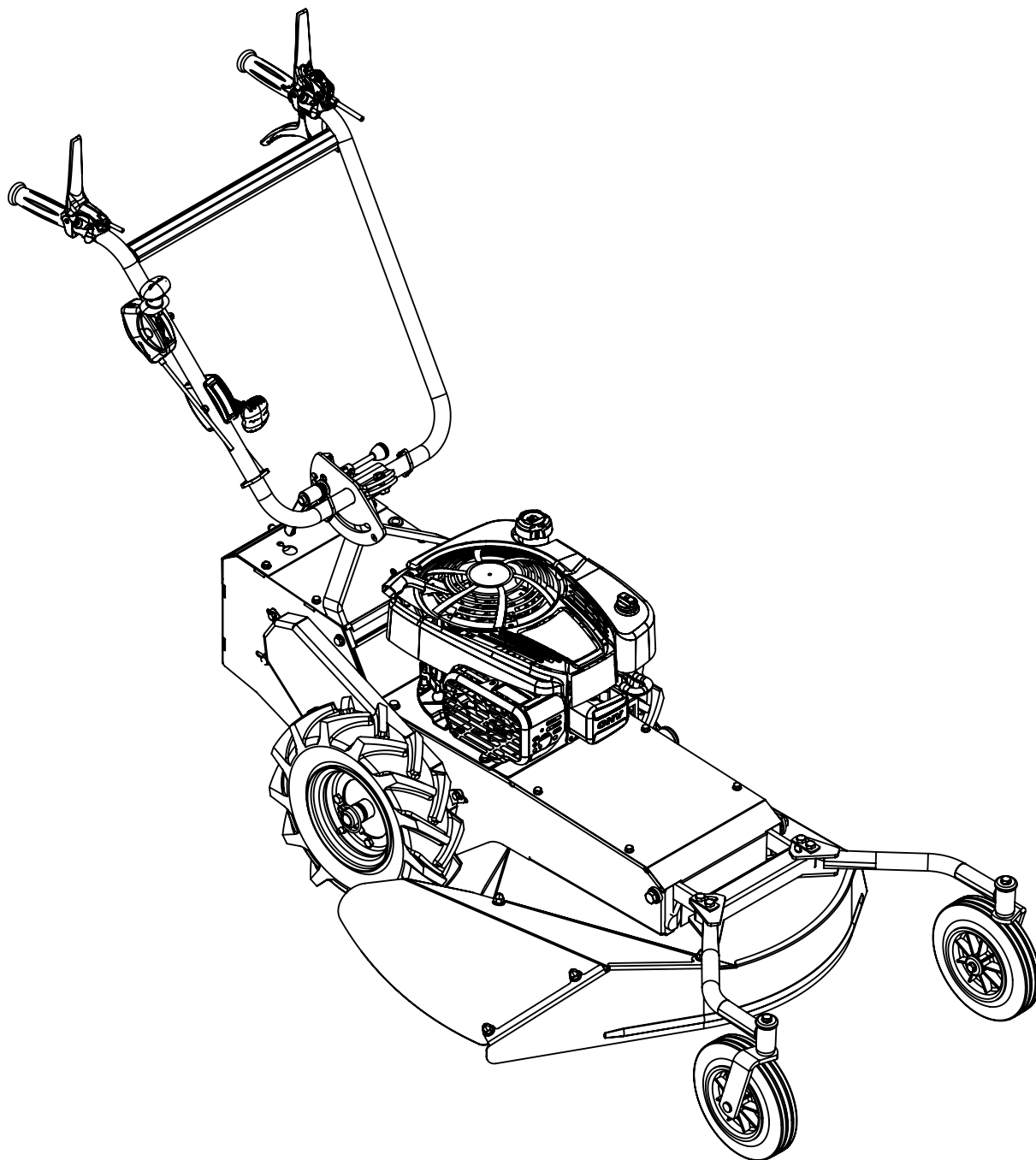
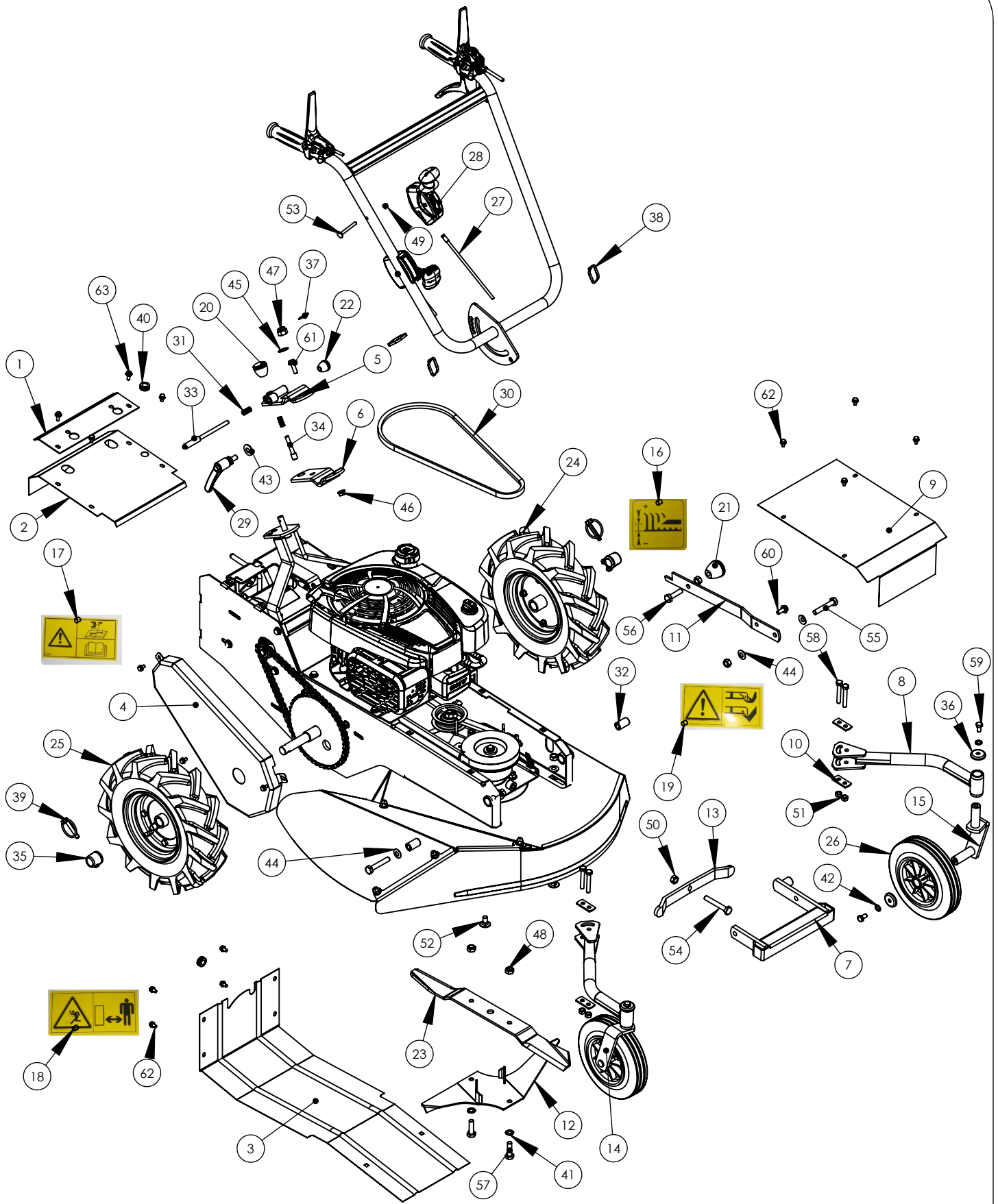


# Pièces de rechange Spare parts list

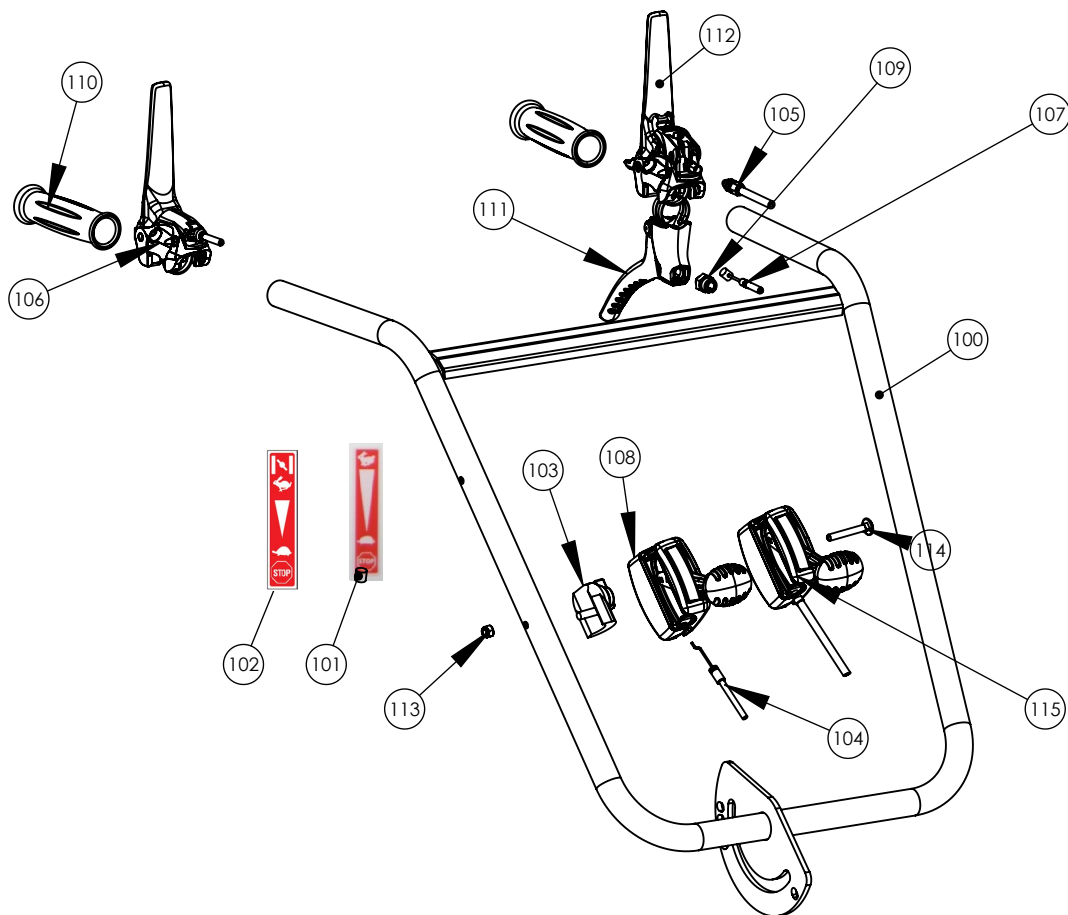
**KE00\*\*05\*\***



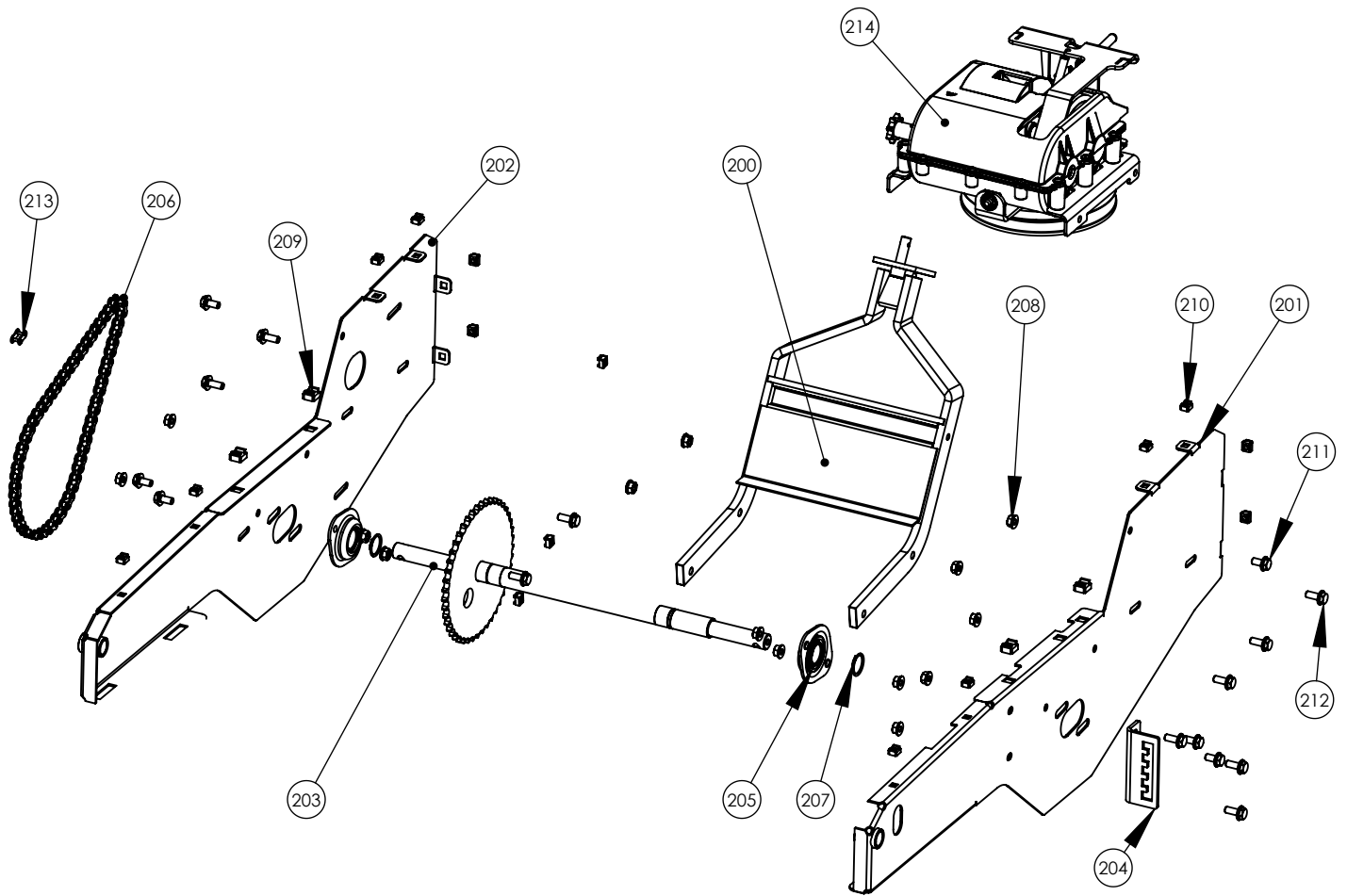
**FAUCHEUSE BROYEUSE  
BRUSH CUTTER**



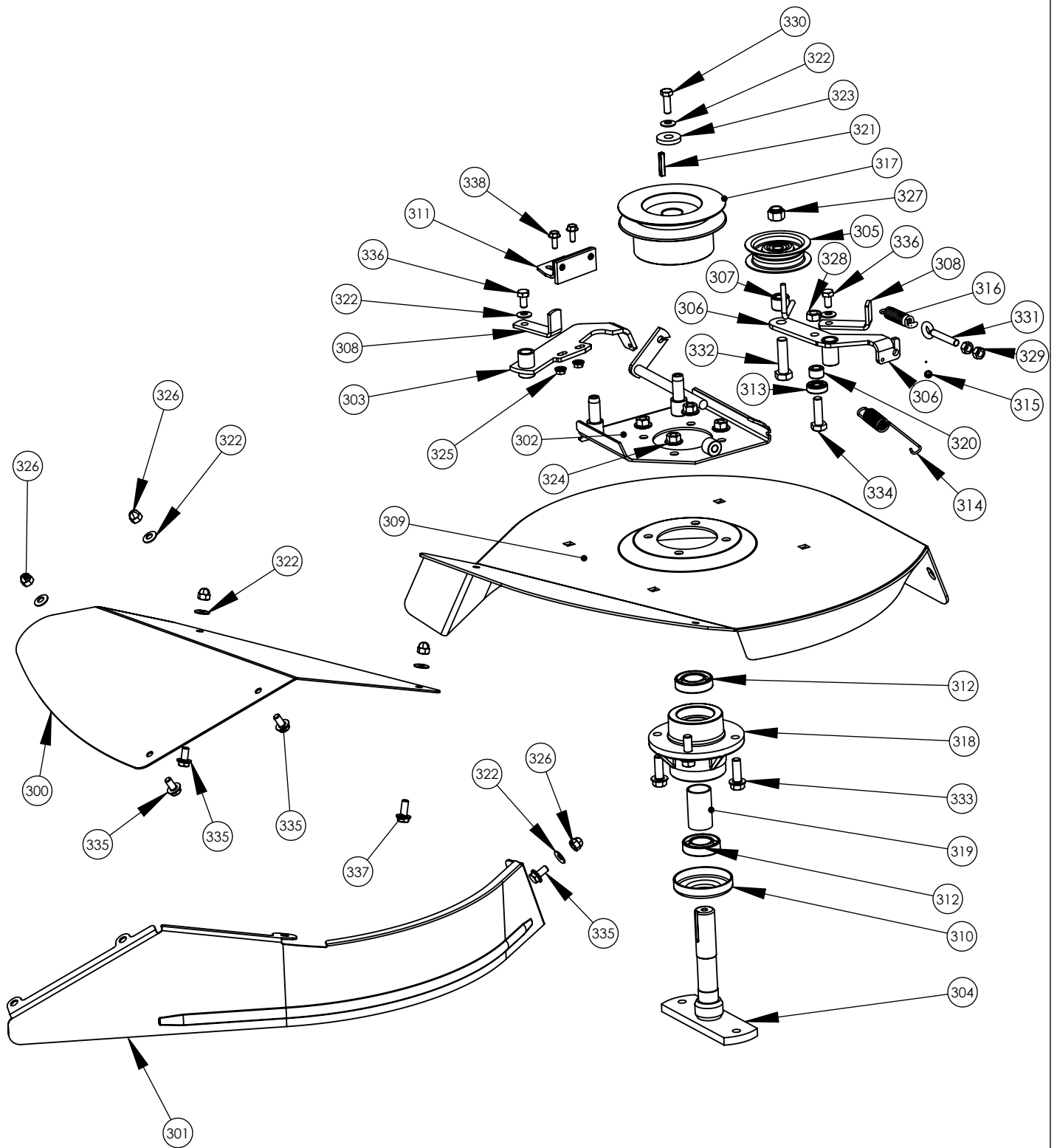
Rep N°	Ref.	Désignation	Description	Qté
1	KE02051604	ARRET DE GAINÉ NOIR	BLACK STOP CABLE	1
2	KE02051603	CARTER SUP ARR NOIR	BLACK BACK UPPER HOUSING	1
3	KE02051602	CARTER ARR INF NOIR	BLACK BACK LOWER HOUSING	1
4	KE02051601	CARTER DE CHAINE PLIE	CHAIN HOUSING	1
5	KE02030208	PLAQUE REGLAGE MANCHERON ZN	HANDLEBAR BASE UPSIDE	1
6	KE02030207	PLAQUE DE SERRAGE MANCHERON INFERIEUR ZN	HANDLEBAR BASE DOWNSIDE	1
7	KE02021102	ENSEMBLE SOUDE TRAIN AVANT GRIS CLAIR	LIGHT GREY FRONT CHASSIS	1
8	KE02021101	PORTE ROUE AVANT GRIS CLAIR	LIGHT GREY FRONT WHEEL SUPPORT	2
8	KE02021401	PORTE ROUE AVANT GRIS FONCE	DARK GREY FRONT WHEEL SUPPORT	2
9	KE02020601	CAPOT AVANT ROUGE	RED FRONT CARTER	1
10	KE02020201	PLAQUE SUPPORT PORTE ROUE	PLATE FOR FRONT WHEEL SUPPORT	4
11	KE02011612	LEVIER DE RELEVAGE NOIR	WORK LEVEL SELECTION TOOL	1
12	KE02011603	EJECTEUR NOIR	VENTILATING PLATE	1
13	KE02010603	TENDEUR DE COUPOLE ROUGE	PLATE FOR BLADE GUARD	1
14	KE02010206	CHAPE ROUE DROITE ZN	RIGHT AXLE FRONT WHEEL	1
15	KE02010202	CHAPE DE ROUE GAUCHE ZN	LEFT AXLE FRONT WHEEL	1
16	K503000023-	AUTOCOLLANT HAUTEUR DE COUPE	STICKER "WORK LEVEL"	1
17	K503000015-	AUTOCOLLANT LIRE LA NOTICE	STICKER " READ THE MANUAL BEFORE USE"	1
18	K503000003-	AUTOCOLLANT DISTANCE DE SECURITE	STICKER "SECURITY DISTANCE"	1
19	K503000002-	AUTOCOLLANT DANGER SECTIONNEMENT	STICKER "CAUTION : CUTTING PARTS"	1
20	K341000004	BOULE PLASTIQUE DIAM 8	END PIECE Ø 8	1
21	K341000003	BOULE PLASTIQUE 40 * 10 NOIRE	BLACK PLASTIC BALL 40 * 10	1
22	K341000002	BOULE PLASTIQUE NOIR DIAM 8	END PIECE Ø 8	1
23	K320020010	LAME DE 53 CM	BLADE	1
24	K309000024	ROUE DE 350 GAUCHE	LEFT BACK WHEEL	1
25	K309000019	ROUE DE 350 DROITE	RIGHT BACK WHEEL	1
26	K309000008	ROUE DE 200	FRONT WHEEL	2
27	K308010027	CABLE VARIATION VITESSE	Bent variation speed cable length 1070	1
28	K307020015	MANETTE VAR. VITESSE x	Locking throttle LGK07FK40	1
29	K307010006	POIGNEE DEBRAYABLE M10	HANDLE FOR HANDLEBAR LEVEL SELECTION	1
30	K306030045	COURROIE A39	V-BELT A39	1
31	K305020003	RESSORT DE COMPRESSION	COMPRESSION SPRING	2
32	K302020017	ENTRETOISE ARTICULATION	ROUND SPACER	2
33	K302010023	AXE EPAULE INDEXAGE MANCHERON	INDEX AXLE	1
34	K302010012	AXE DE POSITIONNEMENT	POSITION AXLE	1
35	K302000005	BUTEE D'ENTRAINEMENT DE ROUE	3/4 TURN NUT	2
36	K302000001	RONDELLE PROTECTION AXE ROUE AVANT	PROTECT WASHER	4
37	K301100002	GOUPILLE V FENDU 3.2 x 20	PIN	1
38	K301060001	COLLIER PLASTIQUE	COLLAR	3
39	K301050001	CLIPS DE 8 x 40	CIRCLIPS 8 X 40	2
40	K301000005	PASSE FIL	WIRE PROTECT	2
41	K300441001	RONDELLE EVENTAIL AZ 10 ZN	WASHER AZ 10 ZN	2
42	K300440801	RONDELLE AZ 8	WASHER AZ 8	4
43	K300431002	RONDELLE CONTACT LARGE DE 10	WASHER D 10	1
44	K300431001	RONDELLE CONTACT M 10	WASHER M10	8
45	K300401203	RONDELLE PLATE 24 x 12.5 x 0.5 ZN	WASHER 24 X 12.5 X 0.5	1
46	K300260801	ECROU H M8 EMB CR	NUT H M8 NOTCHED SHOULDER	1
47	K300231201	ECROU MK 12 ( crénelé )	NUT MK 12	1
48	K300211001	ECROU FREIN M10	BLOCKING NUT M10	2
49	K300210601	ECROU FREIN H M6	BLOCKING NUT M6	1
50	K300201001	ECROU HU M10	NUT HU M10	8
51	K300200801	ECROU HU M8	NUT HU M8	4
52	K300081002	BOULON TRCC 10 x 20	SCREW TRCC 10 x 20	4
53	K300080607	BOULON TRCC 6 x 55	SCREW TRCC 6 X 55	1
54	K300011014	VIS TH 10 x 70 ZN	SCREW TH 10 X 70 ZN	1
55	K300011013	VIS TH 10 x 60 ZN	SCREW H 10 X 70	2
56	K300011011	VIS HM 10 x 40	SCREW H 10 X 40	1
57	K300011010	VIS HM 10 x 35	SCREW HM 10 x 35	2
58	K300010824	VIS H 8 x 55	SCREW H 8 X 55	4
59	K300010814	VIS H M8 x 16	SCREW H M8 X 16	4
60	K300010802	VIS EMB CR 8 x 20	SCREW H NOTCHED SHOULDER 8 X 20	5
61	K300010801	VIS H EMB CR 8 x 25	SCREW H NOTCHED SHOULDER 8 X 25	1
62	K300010617	VIS H 6 x 10 EMB CR	SCREW H 6 X 10 NOTCHED SHOULDER	13
63	K300010601	VIS H 6 x 16 EMB CR	SCREW H NOTCHED SHOULDER 6 X 16	2



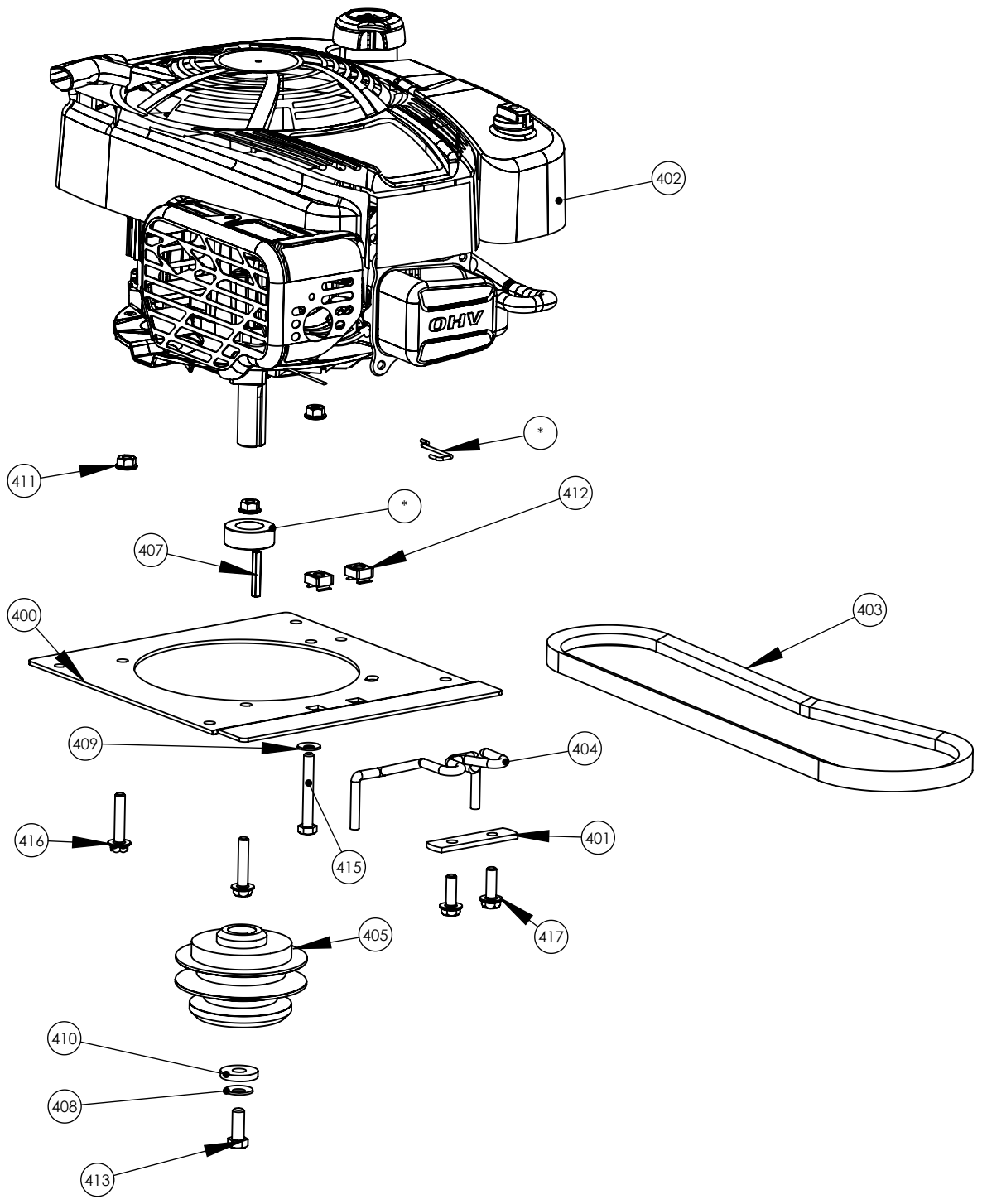
Rep N°	Ref.	Désignation	Description	Qté	
100	KF02031103	MANCHERON GRIS CLAIR	GREY HANDLEBAR	1	
101	K503000031-	AUTOCOLLANT ACCELERATEUR STOP SANS STARTER	STICKER "ENGINE SPEED VARIATION" WITHOUT STARTER	1	BS/RV225
102	K503000005-	AUTOCOLLANT ACCELERATEUR STOP + STARTER	STICKER "SPEED VARIATION" WITH STARTER	1	HONDA/ KAWA
103	K330030202-	SWITCH MOTEUR SUBARU	SWITCH SUBARU ENGINE	1	SUBARU
104	K308040012	CABLE COMMANDE DES GAZ	THROTTLE CABLE	1	GSV190/ KAWA/ RV225
104	K308040011	CABLE COMMANDE DES GAZ	THROTTLE CABLE	1	BS
105	K308020007	CABLE EMBRAYAGE DE LAME	BLADE CLUTCH CABLE	1	
106	K308010040	CABLE ASS K308010038 + LEVIER	CABLE K308010038 + LEVER	1	
107	K308010039	CABLE EMBRAYAGE ARRIERE V2	Rear clutch cable V2	1	
108	K307020010	POIGNEE GAZ	THROTTLE LEVER	1	GSV190/ KAWA/BS/ RV225
109	K307020007	ARRET DE GAINÉ	STOP TUBE	1	
110	K307020005	POIGNEE CAOUTCHOUC DIAM 25	GRIP	2	
111	K307010038	LEVIER SIMPLE COURSE DE 30 MAR	LEVER PULL 30	1	
112	K307010014	LEVIER AVEC SECURITE	BLADE CLUTCH LEVER	1	
113	K300210601	ECROU FREIN H M6	BLOCKING NUT M6	1	
114	K300080603	BOULON TRCC 6 x 45	SCREW TRCC 6 X 45	1	
115	K308060033	CABLE GAZ + MANETTE LG : 815	THROTTLE LEVER + CABLE	1	GCVX200



Rep N°	Ref.	Désignation	Description	Qté
200	KE02051605	SUPPORT MANCHERON KAWA NOIR	BLACK HANDLEBAR BASE	1
201	KE02050602	FLANC GAUCHE ROUGE	RED LEFT CARTER	1
202	KE02050601	FLANC DROIT ROUGE	RED RIGHT CARTER	1
203	KE02030202	ARBRE - PIGNON TRANSMISSION	WHELL SHAFT	1
204	KE02011602	CREMAILLERE HAUTEUR DE COUPE ZN	CUT ADJUST LEVEL RACK	1
205	KE01010001	PALIER AVEC RLT. DE 25 ASSEMBLE	BEARING Ø 25	2
206	K306020018	CHAINE ISO 06B-1 PAS 12.7 64 maillons	Chain ISO 06B-1 pitch 12.7 64 chain links	1
207	K301070007	CIRCLIPS EXTERIEUR DE 25	External retaining ring 25	2
208	K300260801	ECROU H M8 EMB CR	NUT H M8 NOTCHED SHOULDER	14
209	K300230802	ECROU ' RAPID' DE 8 C4808 B	NUT RAPID M8 C 4808B	4
210	K300230601	ECROU RAPID M 6 C 4806B	NUT RAPID M6 C 4806B	15
211	K300010830	VIS H 8 x 16 EMB CR	SCREW H 8 x 16 NOTCHED SHOULDER	6
212	K300010802	VIS EMB CR 8 x 20	SCREW H NOTCHED SHOULDER 8 X 20	10
213	K003030005	ATTACHE RAPIDE LARGE 12.7 N	QUICK FASTENER	1
214	4001000012	TRANSMISSION MODULAIRE VR	MODULAR TRANSMISSION VR	1



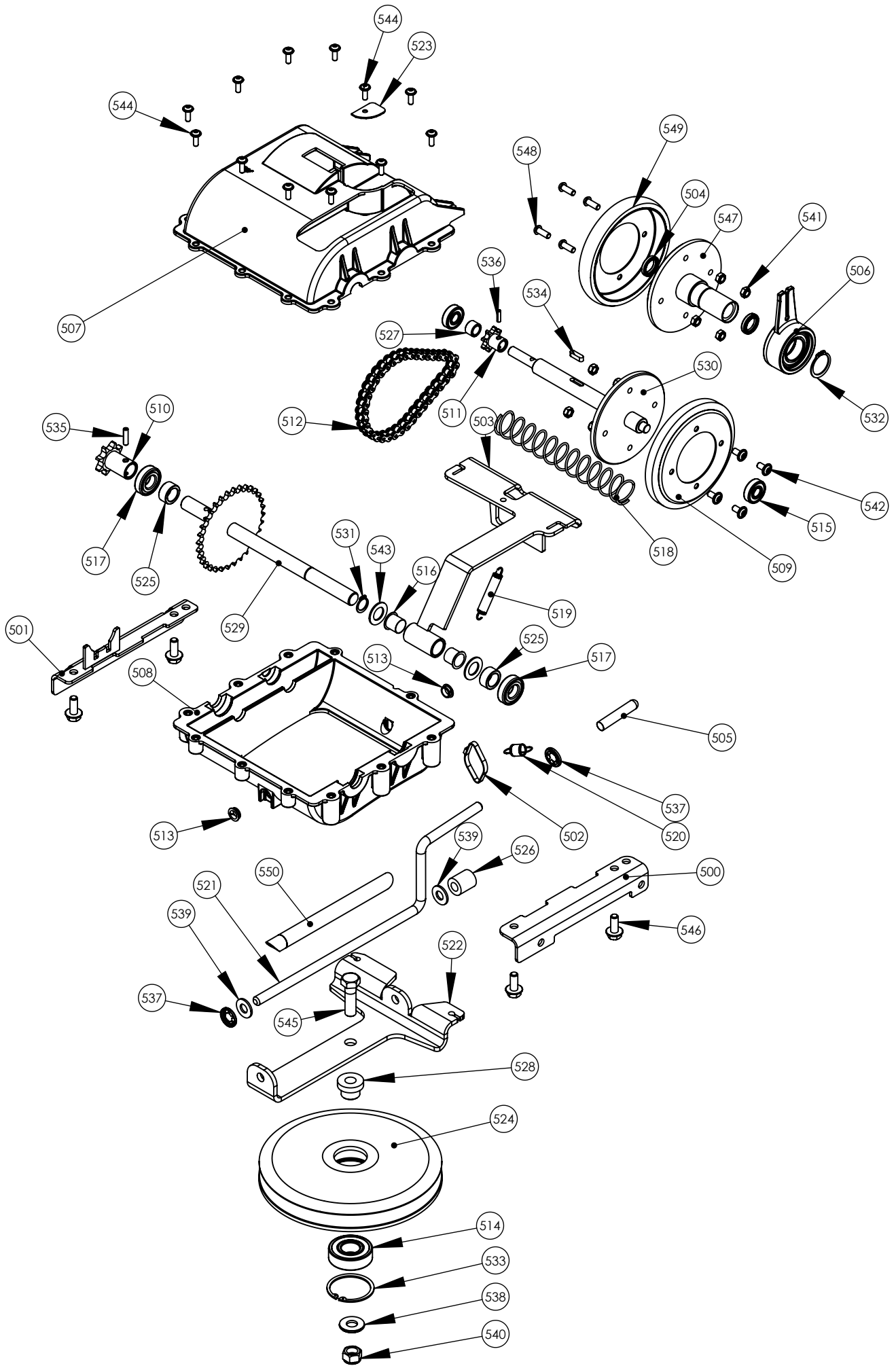
Rep N°	Ref	Désignation	Description	Qté
300	KN02011903	TÔLE ENDAINEUR GRIS RAL 7021	GREY RAL 7021 SIDE DEFLECTOR	1
301	KN02011902	BANDEAU TONDEUSE GRIS RAL 7021	GREY RAL 7021 FRONT DEFLECTOR	1
302	KF02010209	PLATINE EMBRAYAGE FREIN DE LAME	SUPPORT BRAKE & CLUTCH	1
303	KF02010208	LEVIER PORTE FREIN SOUPLE SOUDE ZN	BRAKE LEVER	1
304	KE04020025	ARBRE PORTE LAME OR AP CLAVETE	BLADE SHAFT	1
305	KE03020001	GALET GORGE PLATE LARGEUR 24	RUNNER	1
306	KE02020213	LEVIER EMBRAYAGE FREIN SOUPLE SOUDE ZN	CLUTCH & BRAKE LEVER ZN	1
307	KE02020207	ENTRETOISE GALET D'EMBR	SPACER	1
308	KE02020203	PATTE GUIDAGE EMBRAYAGE ZN	CLUTCH ALIGNER	2
309	KE02011901	COUPOLE GRIS ANTHACITE RAL7021	BLADE GUARD GREY RAL 7021	1
310	KE02010208	RONDELLE EMBOUTIE PROTECTION MOYEU DE LAME	PROTECTION WASHER	1
311	KE01020014	GARNITURE FREIN RIVETEE	BRAKE	1
312	K306010016	ROULEMENT 6005 2 RS 25 x 47 x 12	BEARING 6005 2 RS	2
313	K306010014	ROULEMENT 6000 2 RS	BEARING 6000 2 RS	1
314	K305010010	RESSORT FREIN DE LAME	SPRING FOR BRAKE	1
315	K305010009	RESSORT DE RAPPEL	SPRING	1
316	K305010008	RESSORT DE TRACTION	SPRING	1
317	K302030086	POULIE FREIN USINEE CLAVETEE DIAM 135	PULLEY Ø 135	1
318	K302030012	PALIER DE LAME	BLADE BEARING	1
319	K302020085	TUBE ENTRETOISE PALIER LAME	TUBE SPACER	1
320	K302020028	ENTRETOISE	SPACER	1
321	K301040014	CLAVETTE 5 x 5 x 30	KEY 5 X 5 X 30	1
322	K300430801	RONDELLE CONTACT M8	WASHER M8	8
323	K300401103	RONDELLE PLATE 30 x 11 x 5 ZN	WASHER 30 X 11 X 5 ZN	1
324	K300261001	ECROU H M10 EMB CR	NUT H M10 NOTCHED SHOULDER	4
325	K300260601	ECROU H M6 Z EMB CR	NUT H M6 Z NOTCHED SHOULDER	2
326	K300220802	ECROU BORGNE M8	NUT M8	5
327	K300211201	ECROU FREIN M12	NUT BRAKE M10	1
328	K300201001	ECROU HU M10	NUT HU M10	1
329	K300200801	ECROU HU M8	NUT HU M8	2
330	K300090804	VIS A GAUCHE 8 x 25	SCREW Z 8 X 25	1
331	K300090801	PITON A OEIL	SCREW	1
332	K300011206	VIS H12 x 45	SCREW H 12 X 45	1
333	K300011026	VIS H 10 x 30 EMB CR	Screw HM 8x20 Z Emb cr	4
334	K300011010	VIS HM 10 x 35	SCREW HM 10 x 35	1
335	K300010830	VIS H 8 x 16 EMB CR	SCREW H 8 x 16 NOTCHED SHOULDER	4
336	K300010814	VIS H M8 x 16	SCREW H M8 X 16	2
337	K300010802	VIS EMB CR 8 x 20	SCREW H NOTCHED SHOULDER 8 X 20	1
338	K300010601	VIS H 6 x 16 EMB CR	SCREW H NOTCHED SHOULDER 6 X 16	2





Rep N°	Ref.	Désignation	Description	B&S/ Qté	GSV190/ Qté	FJ180/ Qté	RV225/ Qté	EA190V/ Qté	GCVX 200/Qté
400	KE02031607	SUPPORT MOTEUR HONDA NOIR	BLACK HONDA MOTOR SUPPORT	-	1	-	-	-	1
400	KF02011608	SUPPORT MOTEUR KAWA NOIR	BLACK KAWA MOTOR SUPPORT	-	-	1	-	-	-
400	KF02011607	SUPPORT MOTEUR NOIR	BLACK MOTOR SUPPORT	1	-	-	1	1	-
401	KE02020211	PLAT FIXATION PLAQUE DE DEB FIL LASER	BELT GUIDE PLAT FIXATION	1	1	1	1	1	1
402	K330010104	MOTEUR HONDA GSV190 SANS FREIN*	ENGINE HONDA GSV190	-	1	-	-	-	-
402	K330050101-	MOTEUR KAWAZAKI FJ180*	MOTOR KAWAZAKI FJ180*	-	-	1	-	-	-
402	K330030106-	MOTEUR SUBARU EA190V*	SUBARU ENGINE EA190V*	-	-	-	-	1	-
402	K330020108	MOTEUR SANS FREIN BS 850 SERIES*	MOTOR WITHOUT BRAKE BS 850 SERIES*	1	-	-	-	-	-
402	0330091010	RV225		-	-	-	1	-	-
402	0330011050	HONDA GCVx200 xNOIRx		-	-	-	-	-	1
403	K306030031	COURROIE DE LAME LB44	BLADE V-BELT LB44	1	1	1	1	1	1
404	K305030007	PLAQUE DE DEBRAYAGE FIL	BELT GUIDE	1	1	1	1	1	1
405	K302030093	POULIE MOTEUR	MOTOR PULLEY	1	1	1	1	1	1
406	K302020031	ENTRETOISE POULIE MOTEUR HONDA	ROUND SPACER FOR ENGINE PULLEY	-	1	-	-	-	1
407	K301040002	CLAVETTE B.DROIT 4.76 x 4.76 x 37	KEY 4.76 X 4.76 X 37	1	1	1	1	1	1
408	K300431001	RONDELLE CONTACT M 10	WASHER M10	1	1	5	1	1	1
409	K300430801	RONDELLE CONTACT M8	WASHER M8	1	-	-	-	-	-
410	K300401103	RONDELLE PLATE 30 x 11 x 5 ZN	WASHER 30 X 11 X 5 ZN	1	1	1	1	1	1
411	K300260801	ECROU H M8 EMB CR	NUT H M8 NOTCHED SHOULDER	3	4	-	2	4	4
412	K300230802	ECROU ' RAPID' DE 8 C4808 B	NUT RAPID M8 C 4808B	2	2	2	2	2	2
413	K300060302	VIS TH3/8 UNF1 ZING	SCREW TH 3/8 UNF1 ZN	1	1	1	1	1	1
414	K300021004	VIS CHC 10 x 16	SCREW CHC 10 X 16	-	-	4	-	-	-
415	K300010825	VIS TH 8 x 60	SCREW TH 8 X 60	1	-	1	-	-	-
416	K300010803	VIS H EMB CR 8 x 40	SCREW H NOTCHED SHOULDER 8 X 40	2	4	-	2	4	4
417	K300010801	VIS H EMB CR 8 x 25	SCREW H NOTCHED SHOULDER 8 X 25	2	2	2	2	2	2
418	0300010816	VIS H 8x20 Z EMB CR	SCREW H M8X20 Z	-	-	-	2	-	-
419	K305000063	FIL OUVERTURE FREIN	BRAKE OPENING WIRE	-	-	-	-	-	1

\*Le service après vente : s'adresser au réseau motoriste concerné  
For the engine's spare parts, please contact the motor's retailers network



Rep N°	Ref.	Désignation	Description	Qté
500	KE02050202	SUPPORT GAUCHE TRANS. MOD.	LEFT SUPPORT TRANS MOD	1
501	KE02050201	SUPPORT DROIT TRANSMISSION MODULAIRE ZN	RIGHT SUPPORT TRANS MOD	1
502	K301060002	COLLIER PLASTIQUE NOIR	TIE-CABLE	1
503	4002000203	FREIN TRANS MOD V2	Modular transmission brake	1
504	0343020004	JOINT A LEVRE 17X23X4/5 NBR	Lip seal 17x23x4/5 NBR	2
505	0341000024	EMBOUT TYPE A -D9 LG 50 NOIR	End piece length: 50	1
506	0340030043	FOURCHETTE	Modular transmission	1
507	0340030042	CARTER SUPERIEUR	MODULAR TRANSMISSION	1
508	0340030041	CARTER INFERIEUR	Modular transmission	1
509	0306060030	RONDELLE DE FRICTION SURMOULEE	OVERMOLDED FRICTION WASHER	1
510	0306050038	PIGNON 8 DENTS PAS 12.7 L37	Sprocket 8 teeth pitch 12.7	1
511	0306050035	PIGNON 8 DENTS PAS 9.525	SPROCKET 8 TEETH PITCH 9.525	1
512	0306020024	CHAINE ISO 06B-1 PAS 9.525	CHAIN ISO 06B-1 PITCH 9.525	1
513	0306010036	BAGUE IGUS MCM 10-03	IGUS RING MCM 10-03	2
514	0306010035	ROULEMENT 6204 DDU EMQV1	6204 DDU EMQV1 Ball-Bearing	1
515	0306010034	ROULEMENT 6000 2RS 10x26x8	6000 2RS BALL BEARING 10X26X8	2
516	0306010033	Bague IGUS JFM-1517-12	IGUS bearing ring JFM-15-17-12	2
517	0306010005	ROULEMENT 6002 2RS	BEARING BALL 6002 2RS	2
518	0305020014	RESSORT VARIATION VITESSE	LOCKING SPRING	1
519	0305010040	RESSORT DE RAPPEL	SPRING	1
520	0305010039	RESSORT RAPPEL	SPRING	1
521	0305000008	MANETTE FREIN TRANS MOD	Brake handlever	1
522	0304000298	BALANCIER TRANS MOD	WALKING BEAM MOD TRANS	1
523	0304000276	PLATINE CABLE TRANS MOD	CABLE PLATE	1
524	0303010002	POULIE OSCILLANTE TRANS MOD	OSCILLATING PULLEY	1
525	0302020099	ENTRETOISE 22x15x10.6	SPACER 22x15x10.6	2
526	0302020098	ENTRETOISE Ø10.2XØ20X23	SPACER Ø10.2xØ20x23	1
527	0302020097	ENTRETOISE 15x10.2x10	SPACER 15x10.2x10	1
528	0302010104	AXE DE POULIE OSCILLANTE	Oscillating pulley axle	1
529	0302010102	ARBRE SORTIE TRANS MOD	Output shaft	1
530	0302010100	ARBRE VARIATION TRANS MOD	Speed variation shaft	1
531	0301070023	CIRCLIPS EXT. DE 15	EXTERNAL RETAITING RING 15	1
532	0301070011	CIRCLIPS EXT. DE 25	EXTERNAL RETATING RING 25	1
533	0301070006	CIRCLIP INTERIEUR 47 DIN472-47	INTERNAL RETAINING RING	1
534	0301040022	CLAVETTE 5x5x18 BTS ROND	KEY 5x5x18 DIN 6885 A	1
535	0301020015	GOUPILLE HBK 5X20 ISO 8748ST	PIN Ø5x20	1
536	0301020011	GOUPILLE HBK 4x14 ISO 8748ST	PIN Ø4x16 HBK	1
537	0300461001	RONDELLE STARLOCK Ø10	Starlock washer Ø10	2
538	0300401201	RONDELLE PLATE M 12X27X2.5 Z	PLATE WASHER M 12X27X2.5 Z	1
539	0300401002	RONDELLE PLATE M 10X22X2 Z	PLATE WASHER M 10X22X2 Z	2
540	0300211201	ECROU FREIN M 12 Z DIN 985/8	BLOCKING NUT M 12 Z	1
541	0300210602	ECROU FREIN M 6 Z DIN 985-8	BLOCKING NUT M 6 Z	8
542	0300110606	VIS-WN7380/2-010.9-TX30-M6X12	Screw Torx M6x12	4
543	0300081501	RONDELLE PLATE 26x15.2x1.5 Z	Washer 26x15.2x1.5 Z	2
544	0300080505	VIS MX TCBL TORX M5X16 Z	SCREW TORX M5x16	12
545	0300011203	VIS H 12 X 40 Z DIN 933/8.8	Screw HM 12x40z	1
546	0300010816	VIS H 8x20 Z EMB CR	SCREW H M8X20 Z	4
547	0302010101	MOYEU MAV TRANS MOD	FORWARD HUB MODULAR TRANS	1
548	0300110605	VIS-DIN7985-4.8-TX30-M6X16	Screw Torx M6x16	4
549	0306060066	RONDELLE DE FRICTION COLLEE	FRICTION WASHER HD 5504	1
550	0302020261	ENTRETOISE RENFORT	REINFORCING SPACER	1