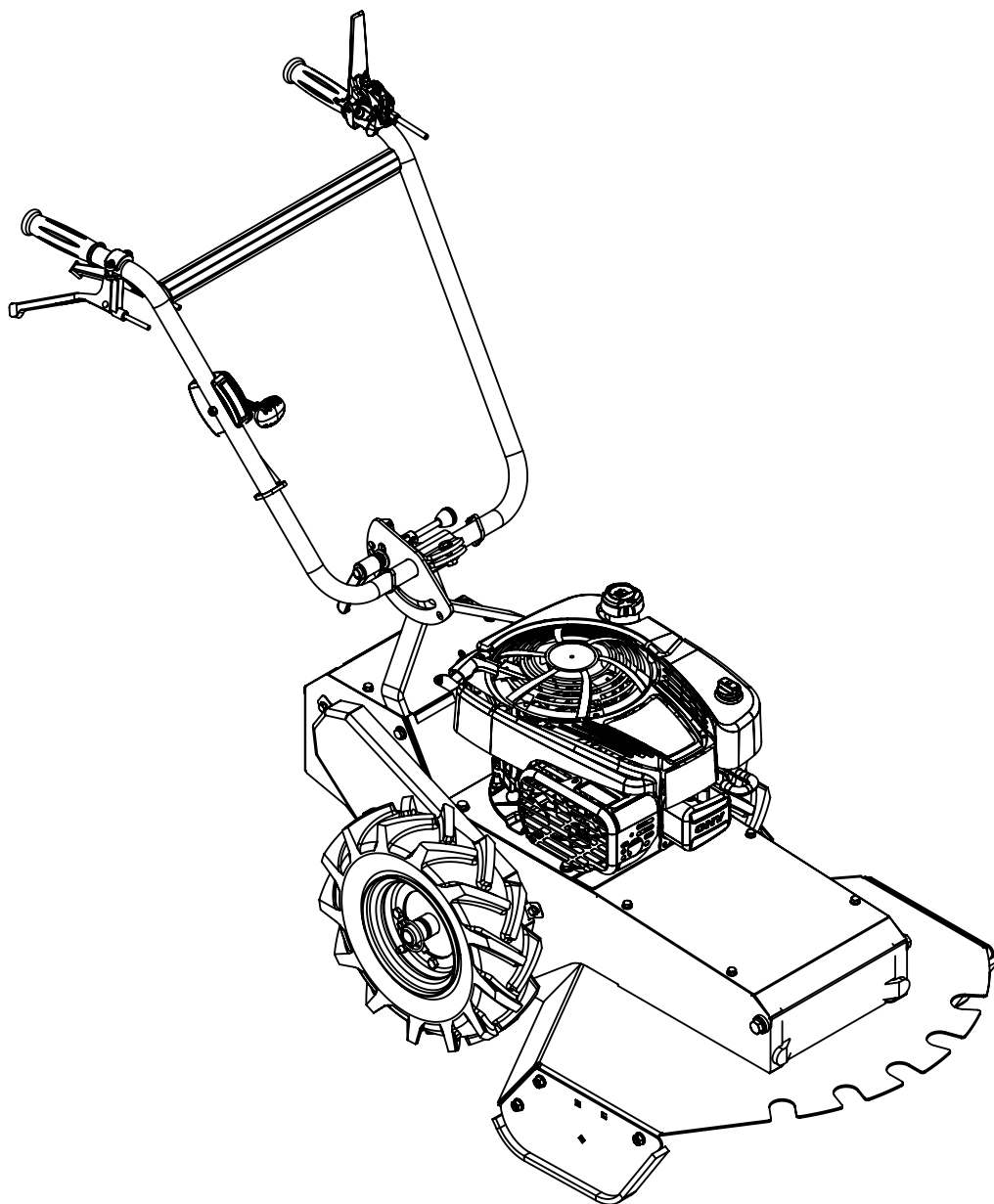
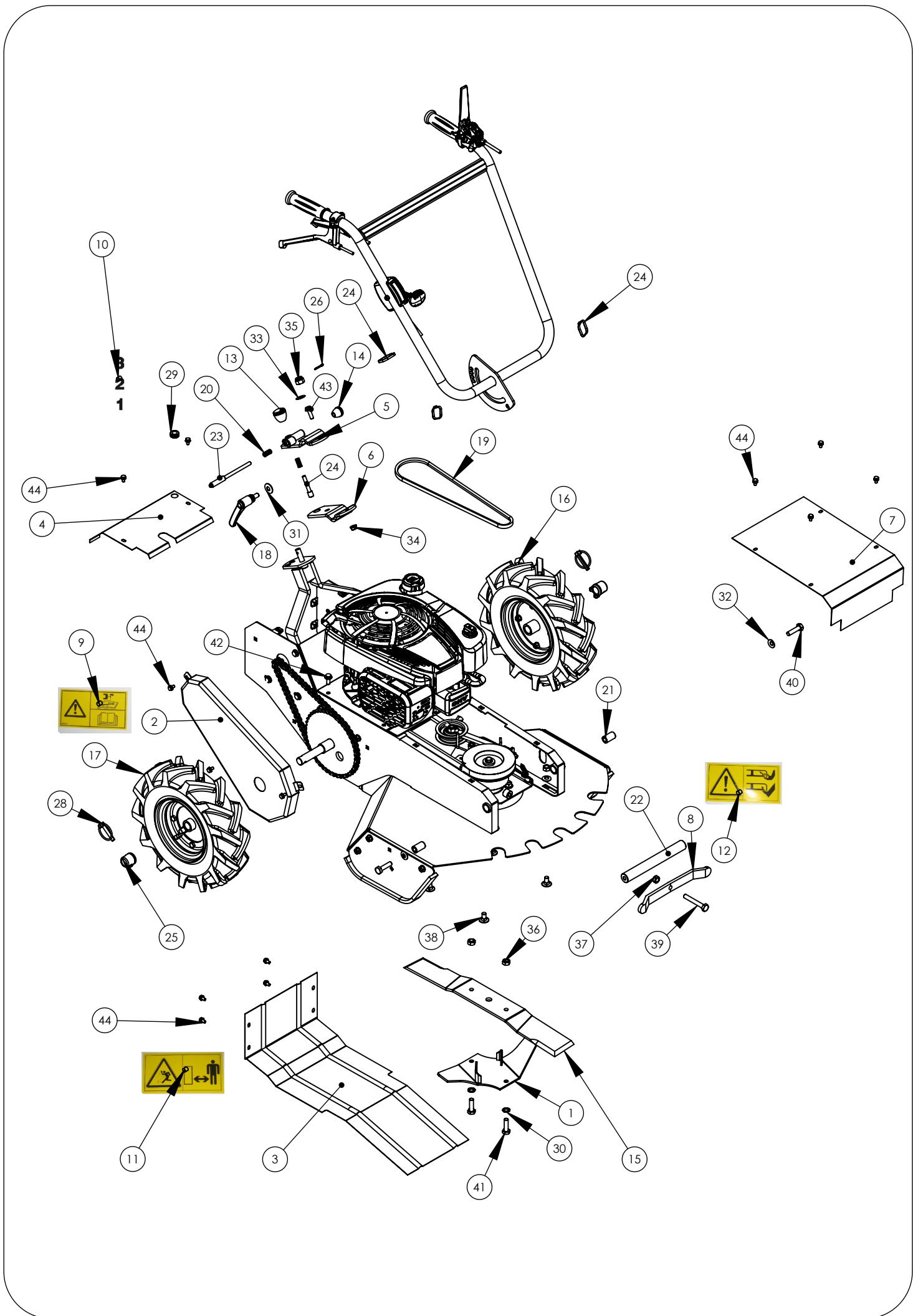


Pièces de rechange Spare parts list

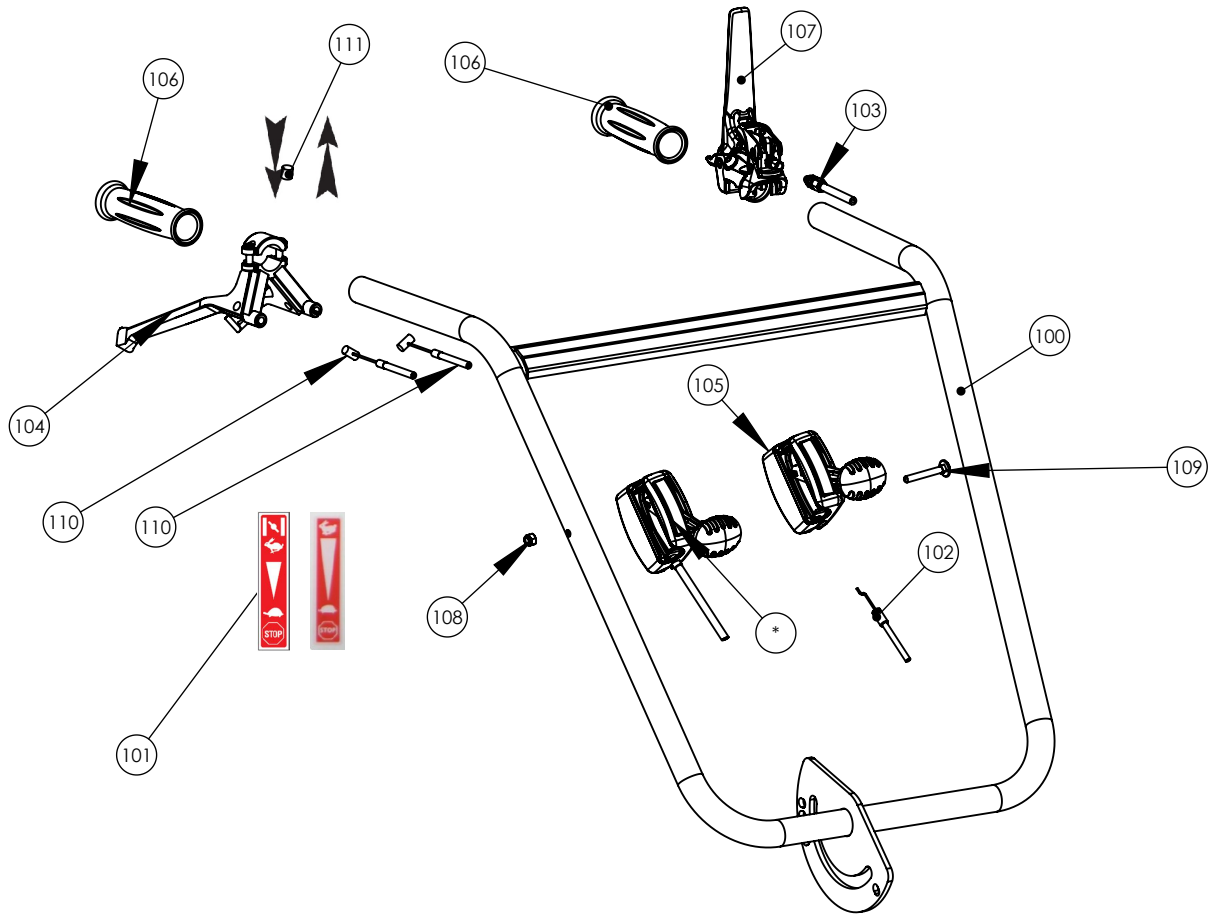
KH0001****



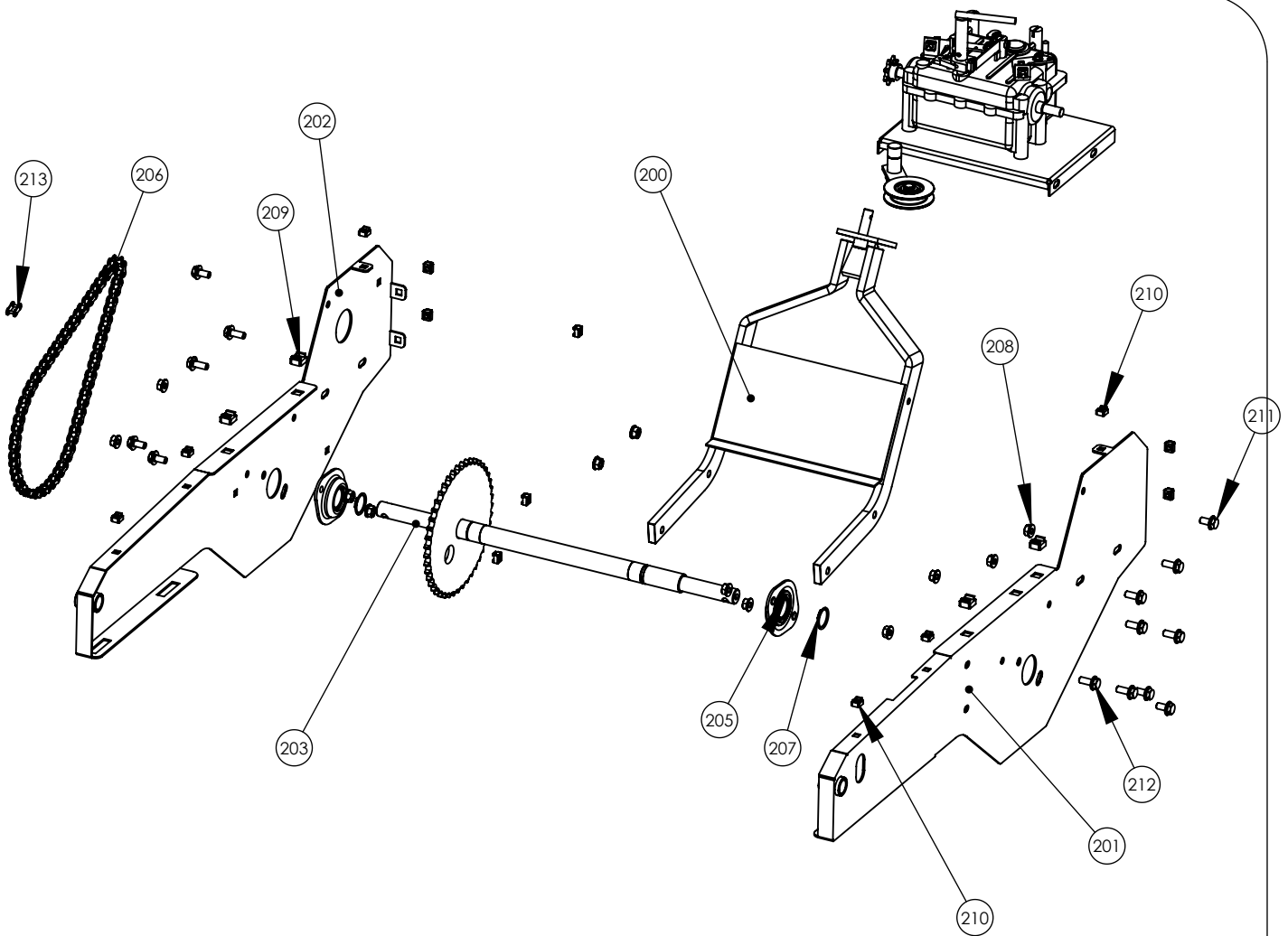
**DEBROUSSAILLEUSE
BRUSH CUTTER**



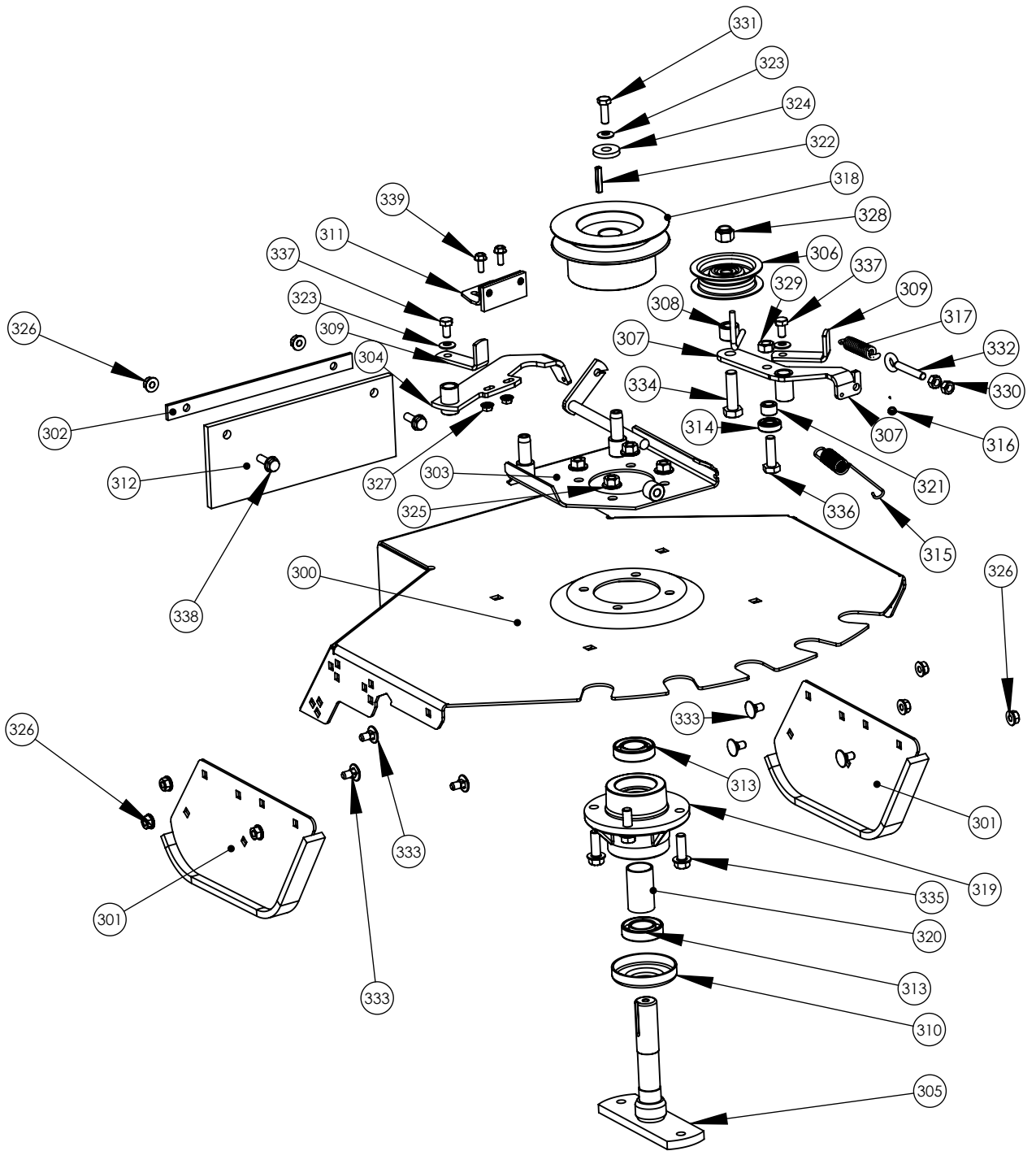
Rep N°	Ref.	Désignation	Description	Qté
1	KH02011601	EJECTEUR NOIR	VENTILATING PLATE	1
2	KE02031603	CARTER DE CHAINE NOIR	BLACK CHAIN HOUSING	1
3	KE02031605	CARTER ARR INF NOIR	BLACK BACK LOWER HOUSING	1
4	KE03030011	CARTER ARR SUP ORION3 PLIE		1
5	KE02030208	PLAQUE REGLAGE MANCHERON ZN	HANDLEBAR BASE UPSIDE	1
6	KE02030207	PLAQUE DE SERRAGE MANCHERON INFERIEUR ZN	HANDLEBAR BASE DOWNSIDE	1
7	KE02010604	CAPOT AVANT ROUGE	RED FRONT CARTER	1
8	KE02010603	TENDEUR DE COUPOLE ROUGE	PLATE FOR BLADE GUARD	1
9	K503000015-	AUTOCOLLANT LIRE LA NOTICE	STICKER " READ THE MANUAL BEFORE USE"	1
10	K503000009-	AUTOCOLLANT 1-2-3	STICKER 1-2-3	1
11	K503000003-	AUTOCOLLANT DISTANCE DE SECURITE	STICKER "SECURITY DISTANCE"	1
12	K503000002-	AUTOCOLLANT DANGER SECTIONNEMENT	STICKER "CAUTION : CUTTING PARTS"	1
13	K341000004	BOULE PLASTIQUE DIAM 8	END PIECE Ø 8	1
14	K341000002	BOULE PLASTIQUE NOIR DIAM 8	END PIECE Ø 8	1
15	K320020012	LAME DE 55	BLADE	1
16	K309000024	ROUE DE 350 GAUCHE	LEFT BACK WHEEL	1
17	K309000019	ROUE DE 350 DROITE	RIGHT BACK WHEEL	1
18	K307010006	POIGNEE DEBRAYABLE M10	HANDLE FOR HANDLEBAR LEVEL SELECTION	1
19	K306030009	COURROIE Z 10 x 6	V-BELT Z 10 x 6	1
20	K305020003	RESSORT DE COMPRESSION	COMPRESSION SPRING	2
21	K302020017	ENTRETOISE ARTICULATION	ROUND SPACER	2
22	K302010039	ETIRE DE 25 LG 210	CYLINDER OF 25 LG 210	1
23	K302010023	AXE EPAULE INDEXAGE MANCHERON	INDEX AXLE	1
24	K302010012	AXE DE POSITIONNEMENT	POSITION AXLE	1
25	K302000005	BUTEE D'ENTRAINEMENT DE ROUE	3/4 TURN NUT	2
26	K301100002	GOUPILLE V FENDU 3.2 x 20	PIN	1
24	K301060001	COLLIER PLASTIQUE	COLLAR	3
28	K301050001	CLIPS DE 8 x 40	CIRCLIPS 8 X 40	2
29	K301000005	PASSE FIL	WIRE PROTECT	1
30	K300441001	RONDELLE EVENTAIL AZ 10 ZN	WASHER AZ 10 ZN	2
31	K300431002	RONDELLE CONTACT LARGE DE 10	WASHER D 10	1
32	K300431001	RONDELLE CONTACT M 10	WASHER M10	6
33	K300401203	RONDELLE PLATE 24 x 12.5 x 0.5 ZN	WASHER 24 X 12.5 X 0.5	1
34	K300260801	ECROU H M8 EMB CR	NUT H M8 NOTCHED SHOULDER	1
35	K300231201	ECROU MK 12 (crénelé)	NUT MK 12	1
36	K300211001	ECROU FREIN M10	BLOCKING NUT M10	2
37	K300201001	ECROU HU M10	NUT HU M10	5
38	K300081002	BOULON TRCC 10 x 20	SCREW TRCC 10 x 20	4
39	K300011014	VIS TH 10 x 70 ZN	SCREW TH 10 X 70 ZN	1
40	K300011011	VIS HM 10 x 40	SCREW H 10 X 40	2
41	K300011010	VIS HM 10 x 35	SCREW HM 10 x 35	2
42	K300010802	VIS EMB CR 8 x 20	SCREW H NOTCHED SHOULDER 8 X 20	4
43	K300010801	VIS H EMB CR 8 x 25	SCREW H NOTCHED SHOULDER 8 X 25	1
44	K300010617	VIS H 6 x 10 EMB CR	SCREW H 6 X 10 NOTCHED SHOULDER	13



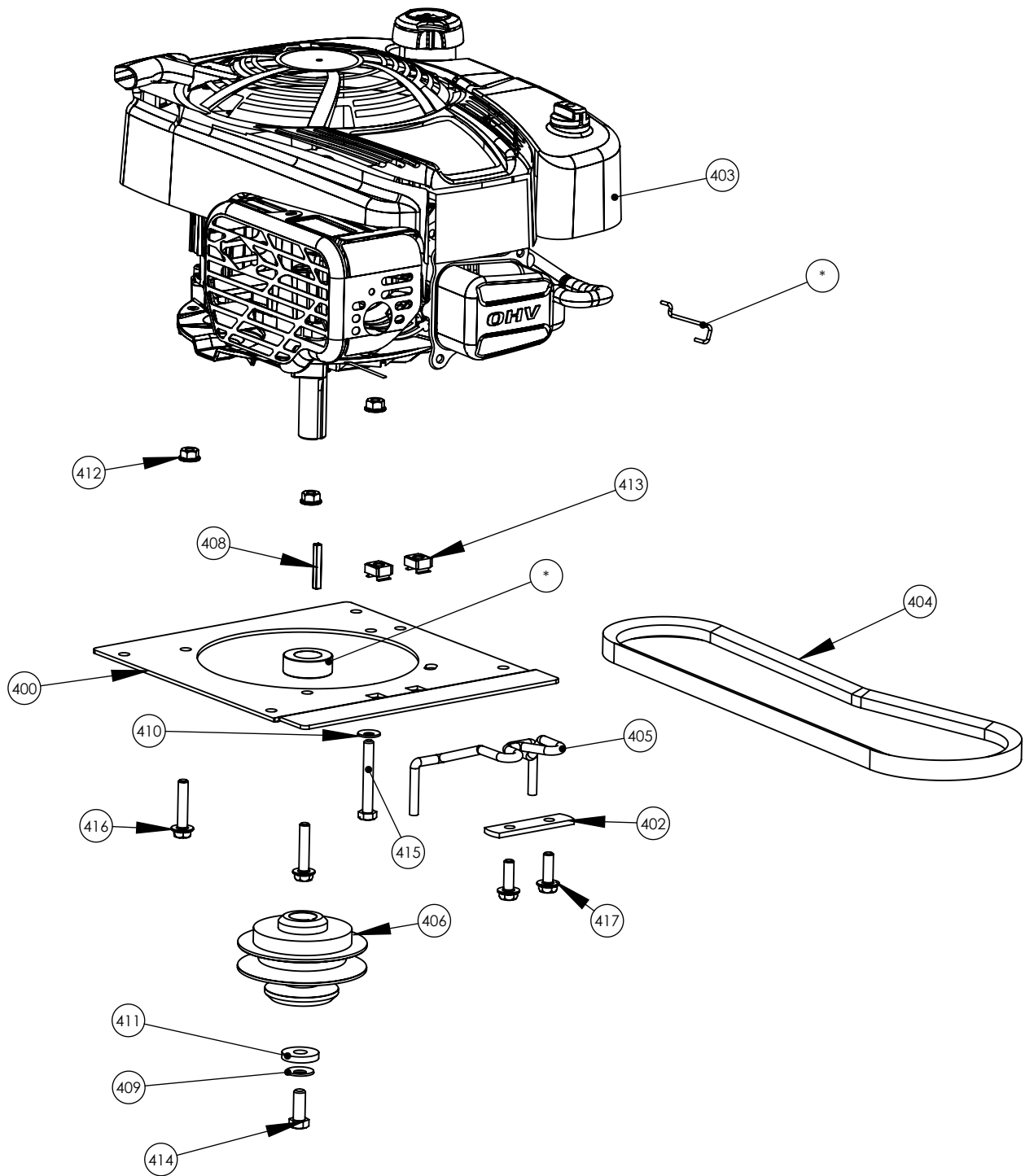
Rep N°	Ref.	Désignation	Description	GSV190 /Qté	B&S /Qté	GCV X200 /Qté
100	KE02031102	MANCHERON GRIS CLAIR	GREY HANDLEBAR	1	1	1
101	K503000031-	AUTOCOLLANT ACCELERATEUR STOP SANS STARTER	STICKER "ENGINE SPEED VARIATION" WITHOUT STARTER	-	1	-
101	K503000005-	AUTOCOLLANT ACCELERATEUR STOP + STARTER	STICKER "SPEED VARIATION" WITH STARTER	1	-	1
102	K308040012	CABLE COMMANDE DES GAZ	THROTTLE CABLE	1	-	-
102	K308040011	CABLE COMMANDE DES GAZ	THROTTLE CABLE	-	1	-
103	K308020007	CABLE EMBRAYAGE DE LAME	BLADE CLUTCH CABLE	1	1	1
104	K307010011	LEVIER DOUBLE	DOUBLE LEVER	1	1	1
105	K307020010	POIGNEE GAZ	THROTTLE LEVER	1	1	-
106	K307020005	POIGNEE CAOUTCHOUC DIAM 25	GRIP	2	2	2
107	K307010014	LEVIER AVEC SECURITE	BLADE CLUTCH LEVER	1	1	1
108	K300210601	ECROU FREIN H M6	BLOCKING NUT M6	1	1	1
109	K300080603	BOULON TRCC 6 x 45	SCREW TRCC 6 X 45	1	1	1
110	K308010011	CABLE EMBR AVANCE	FORWARD SPEED CLUTCH CABLE	2	2	2
111	K503000011-	AUTOCOLLANT INVERSION MARCHE	STICKER "SPEED INVERSION"	1	1	1
112	K308060033	CABLE GAZ + MANETTE LG : 815	THROTTLE LEVER + CABLE	-	-	1



Rep N°	Ref.	Désignation	Description	Qté	
200	KF02011604	SUPPORT MANCHERON NOIR	BLACK HANDLEBAR BASE	1	
200	KE02051605	SUPPORT MANCHERON NOIR	BLACK HANDLEBAR BASE	1	KAWA
201	KE02030602	FLANC GAUCHE ROUGE	RED LEFT CARTER	1	
202	KE02030601	FLANC DROIT ROUGE	RED RIGHT CARTER	1	
203	KE02030202	ARBRE - PIGNON TRANSMISSION	WHELL SHAFT	1	
205	KE01010001	PALIER AVEC RLT. DE 25 ASSEMBLE	BEARING Ø 25	2	
206	K306020004	CHAINE PAS 12.7 66 maillons	Chain pitch 66 chain links	1	
207	K301070007	CIRCLIPS EXTERIEUR DE 25	External retaining ring 25	2	
208	K300260801	ECROU H M8 EMB CR	NUT H M8 NOTCHED SHOULDER	12	
209	K300230802	ECROU ' RAPID' DE 8 C 4808 B	NUT RAPID M8 C 4808B	4	
210	K300230601	ECROU RAPID M 6 C 4806B	NUT RAPID M6 C 4806B	13	
211	K300010830	VIS H 8 x 16 EMB CR	SCREW H 8 x 16 NOTCHED SHOULDER	6	
212	K300010802	VIS EMB CR 8 x 20	SCREW H NOTCHED SHOULDER 8 X 20	8	
213	K003030005	ATTACHE RAPIDE LARGE 12.7 N	QUICK FASTENER	1	

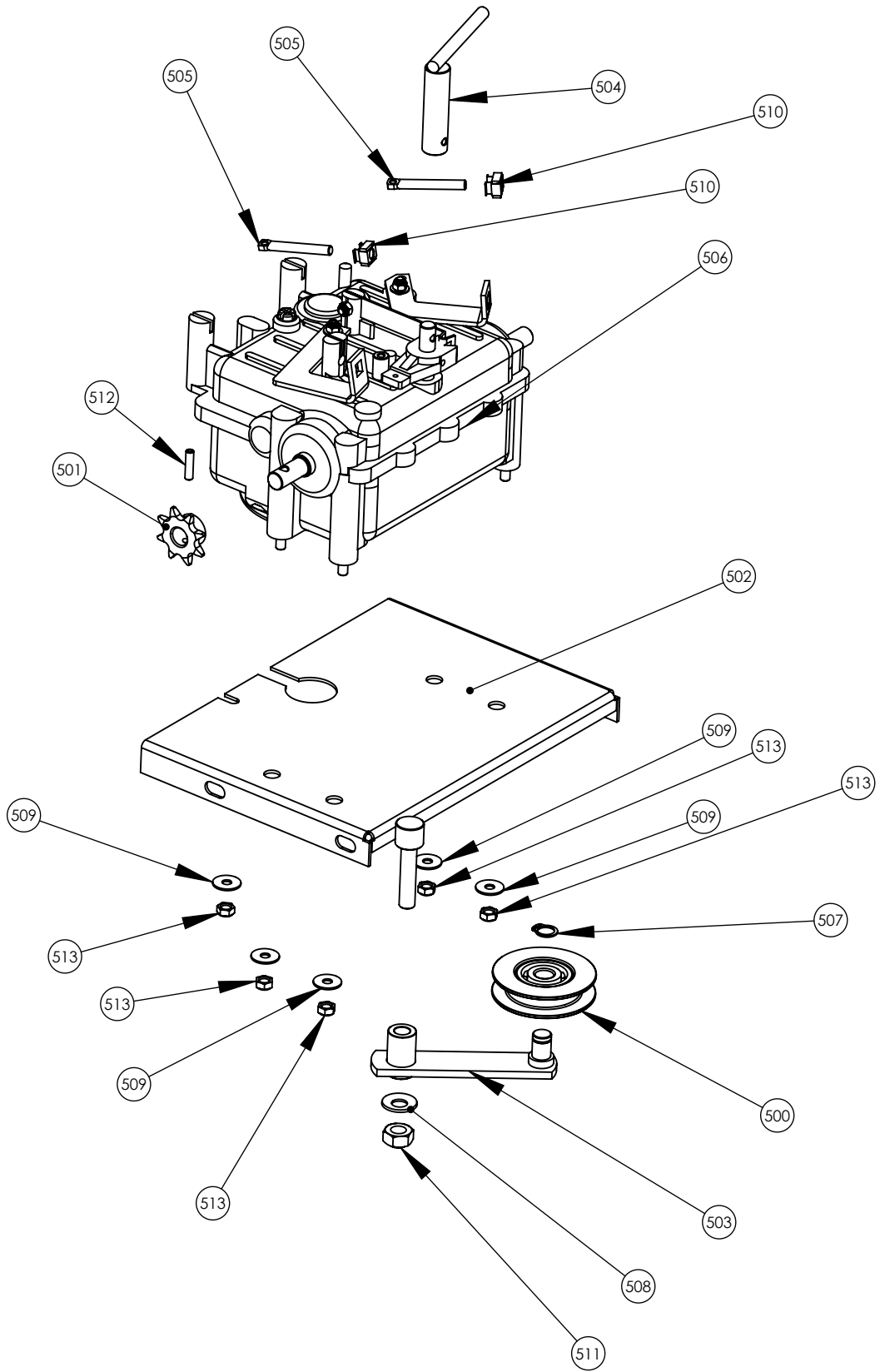


Rep N°	Ref	Désignation	Description	Qté
300	KH02011901	COUPOLE GRIS RAL 7021	BLADE GUARD GREY RAL7021	1
301	KH02011902	PATIN GRIS RAL 7021	GREY SKY RAL 7021	2
302	KH02010201	BRIDE DE BAVETTE ZN	FLAP FLANGE	1
303	KF02010209	PLATINE EMBRAYAGE FREIN DE LAME	SUPPORT BRAKE & CLUTCH	1
304	KF02010208	LEVIER PORTE FREIN SOUPLE SOUDE ZN	BRAKE LEVER	1
305	KE04020025	ARBRE PORTE LAME OR AP CLAVETE	BLADE SHAFT	1
306	KE03020001	GALET GORGE PLATE LARGEUR 24	RUNNER	1
307	KE02020213	LEVIER EMBRAYAGE FREIN SOUPLE SOUDE ZN	CLUTCH & BRAKE LEVER ZN	1
308	KE02020207	ENTRETOISE GALET D'EMBR	SPACER	1
309	KE02020203	PATTE GUIDAGE EMBRAYAGE ZN	CLUTCH ALIGNER	2
310	KE02010208	RONDELLE EMBOUTIE PROTECTION MOYEU DE LAME	PROTECTION WASHER	1
311	KE01020014	GARNITURE FREIN RIVETEE	BRAKE	1
312	K342000002	BAVETTE ARRIERE	FLAP	1
313	K306010016	ROULEMENT 6005 2 RS 25 x 47 x 12	BEARING 6005 2 RS	2
314	K306010014	ROULEMENT 6000 2 RS	BEARING 6000 2 RS	1
315	K305010010	RESSORT FREIN DE LAME	SPRING FOR BRAKE	1
316	K305010009	RESSORT DE RAPPEL	SPRING	1
317	K305010008	RESSORT DE TRACTION	SPRING	1
318	K302030086	POULIE FREIN USINEE CLAVETEE DIAM 135	PULLEY Ø 135	1
319	K302030012	PALIER DE LAME	BLADE BEARING	1
320	K302020085	TUBE ENTRETOISE PALIER LAME	TUBE SPACER	1
321	K302020028	ENTRETOISE	SPACER	1
322	K301040014	CLAVETTE 5 x 5 x 30	KEY 5 X 5 X 30	1
323	K300430801	RONDELLE CONTACT M8	WASHER M8	3
324	K300401103	RONDELLE PLATE 30 x 11 x 5 ZN	WASHER 30 X 11 X 5 ZN	1
325	K300261001	ECROU H M10 EMB CR	NUT H M10 NOTCHED SHOULDER	4
326	K300260801	ECROU H M8 EMB CR	NUT H M8 NOTCHED SHOULDER	8
327	K300260601	ECROU H M6 Z EMB CR	NUT H M6 Z NOTCHED SHOULDER	2
328	K300211201	ECROU FREIN M12	NUT BRAKE M10	1
329	K300201001	ECROU HU M10	NUT HU M10	1
330	K300200801	ECROU HU M8	NUT HU M8	2
331	K300090804	VIS A GAUCHE 8 x 25	SCREW Z 8 X 25	1
332	K300090801	PITON A OEIL	SCREW	1
333	K300080802	BOULON TRCC 8 x 16	SCREW TRCC 8 x 16	6
334	K300011206	VIS H12 x 45	SCREW H 12 X 45	1
335	K300011026	VIS H 10 x 30 EMB CR	Screw HM 10x30 Z Emb cr	4
336	K300011010	VIS HM 10 x 35	SCREW HM 10 x 35	1
337	K300010814	VIS H M8 x 16	SCREW H M8 X 16	2
338	K300010801	VIS H EMB CR 8 x 25	SCREW H NOTCHED SHOULDER 8 X 25	2
339	K300010601	VIS H 6 x 16 EMB CR	SCREW H NOTCHED SHOULDER 6 X 16	2



Rep N°	Ref	Désignation	Description	Qté B&S	Qté GSV190	Qté GCVX 200
400	KF02011607	SUPPORT MOTEUR NOIR	BLACK MOTOR SUPPORT	1	-	-
401	KE02031607	SUPPORT MOTEUR HONDA NOIR	BLACK HONDA MOTOR SUPPORT	-	1	1
402	KE02020211	PLAT FIXATION PLAQUE DE DEB FIL LASER	BELT GUIDE PLAT FIXATION	1	1	1
403	K330020108	MOTEUR SANS FREIN BS 850 SERIES*	MOTOR WITHOUT BRAKE BS 850 SERIES*	1	-	-
403	K330010104	MOTEUR HONDA GSV190 SANS FREIN*	ENGINE HONDA GSV190	-	1	-
403	0330011050	HONDA GCVx200 xNOIRx		-	-	1
404	K306030031	COURROIE DE LAME LB44	BLADE V-BELT LB44	1	1	1
405	K305030007	PLAQUE DE DEBRAYAGE FIL	BELT GUIDE	1	1	1
406	K302030031	POULIE MOTEUR	MOTOR PULLEY	1	1	1
407	K302020031	ENTRETOISE POULIE MOTEUR HONDA	ROUND SPACER FOR ENGINE PULLEY	-	1	1
408	K301040002	CLAVETTE B.DROIT 4.76 x 4.76 x 37	KEY 4.76 X 4.76 X 37	1	1	1
409	K300431001	RONDELLE CONTACT M 10	WASHER M10	1	1	1
410	K300430801	RONDELLE CONTACT M8	WASHER M8	1	-	-
411	K300401103	RONDELLE PLATE 30 x 11 x 5 ZN	WASHER 30 X 11 X 5 ZN	1	1	1
412	K300260801	ECROU H M8 EMB CR	NUT H M8 NOTCHED SHOULDER	3	4	4
413	K300230802	ECROU ' RAPID' DE 8 C4808 B	NUT RAPID M8 C 4808B	2	2	2
414	K300060302	VIS TH3/8 UNF1 ZING	SCREW TH 3/8 UNF1 ZN	1	1	1
415	K300010825	VIS TH 8 x 60	SCREW TH 8 X 60	1	-	-
416	K300010803	VIS H EMB CR 8 x 40	SCREW H NOTCHED SHOULDER 8 X 40	2	4	4
417	K300010801	VIS H EMB CR 8 x 25	SCREW H NOTCHED SHOULDER 8 X 25	2	2	2
418	K305000063	FIL OUVERTURE FREIN	BRAKE OPENING WIRE	-	-	1

*Le service après vente : s'adresser au réseau motoriste concerné
For the engine's spare parts, please contact the motor's retailers network



Rep N°	Ref.	Désignation	Description	Qté
500	KF01010002	GALET EMBRAYAGE ALU + RLT	ROLLER	1
501	KE04030003	PIGNON 8 DENTS	SPOCKET 8 TEETH	1
502	KE02031602	SUPPORT BV NOIR	BLACK GEARBOX SUPPORT	1
503	KE02030206	LEVIER TENSION DE COURROIE	BELT TENSIONER LEVER	1
504	KE02030203	LEVIER DE VITESSE ZINGUE	GEAR LEVER	1
505	KC04010022	VIS BIELETTE EMBRAYAGE	CLUTCH SCREW	2
506	K306040005	BOITIER REDUCTEUR	REDUCTION GEARBOX	1
507	K301070002	CIRCLIPS EXTERIEUR DE 12	EXTERNAL RETAITING RING 12	1
508	K300431001	RONDELLE CONTACT M 10	WASHER M10	1
509	K300400601	RONDELLE PLATE 18 x 6.25 x 1.2 ZN	WASHER 18 X 6.25 X 1.2 ZN	5
510	K300230602	ECROU RAPID M6 C 4806 C	NUT RAPID M6 C 4806C	2
511	K300211001	ECROU FREIN M10	BLOCKING NUT M10	1
512	0301020015	GOUPILLE HBK 5X20 ISO 8748ST	PIN Ø5x20	1
513	0300210602	ECROU FREIN M 6 Z DIN 985-8	BLOCKING NUT M 6 Z	5