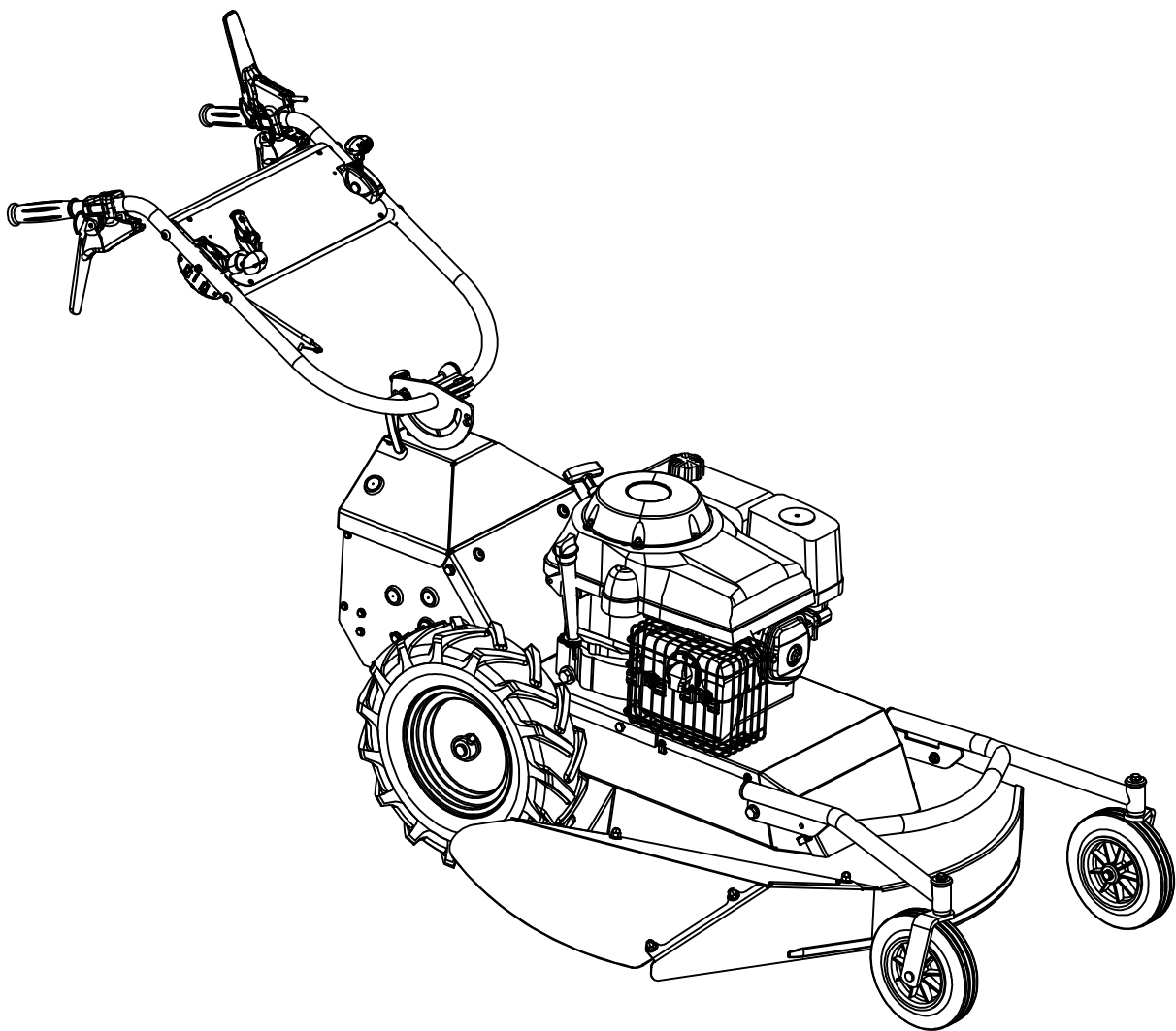
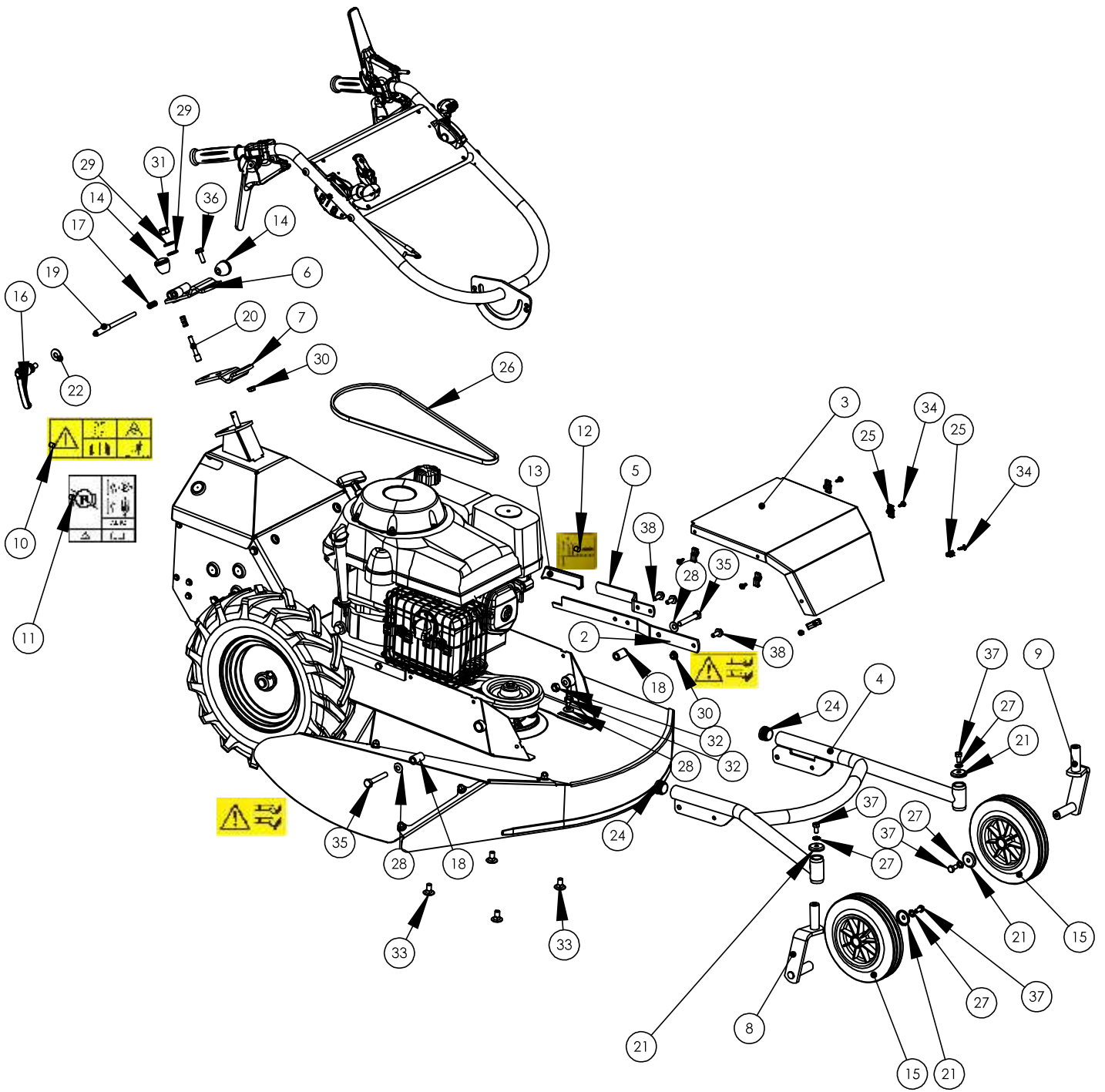


# Pièces de rechange Spare parts list

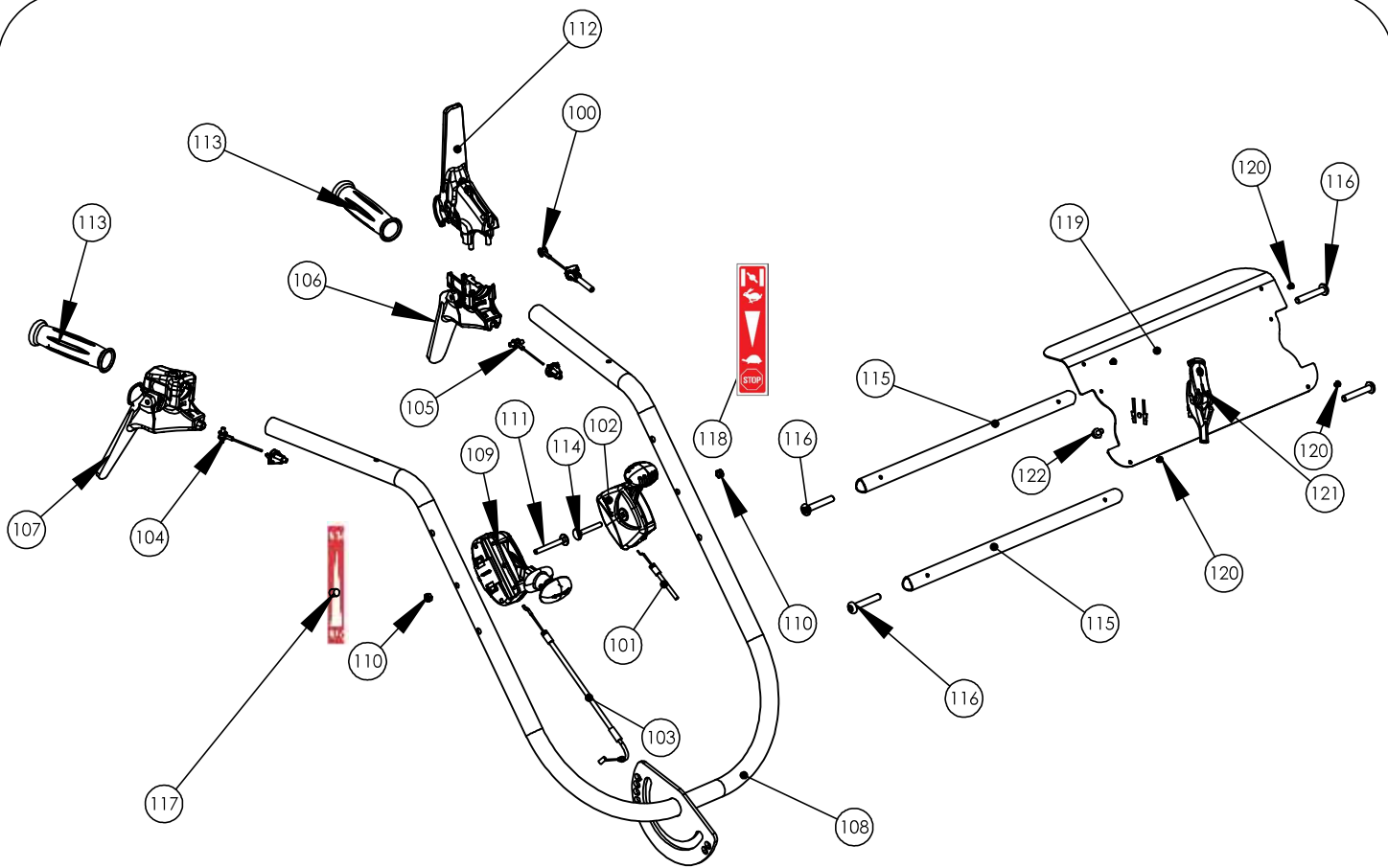
**KF00\*\*04\*\***



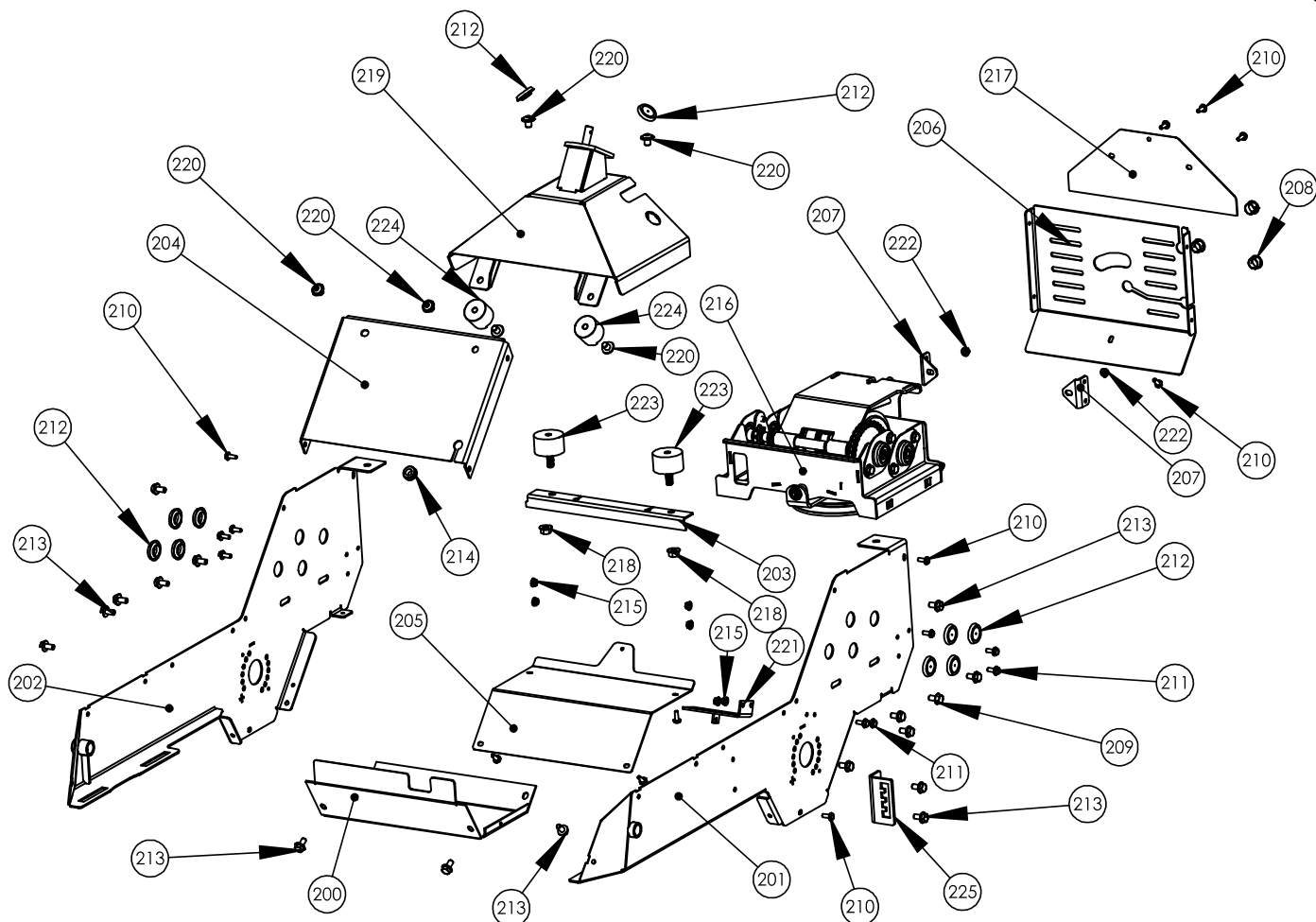
***FAUCHEUSE BROYEUSE  
BRUSH CUTTER***



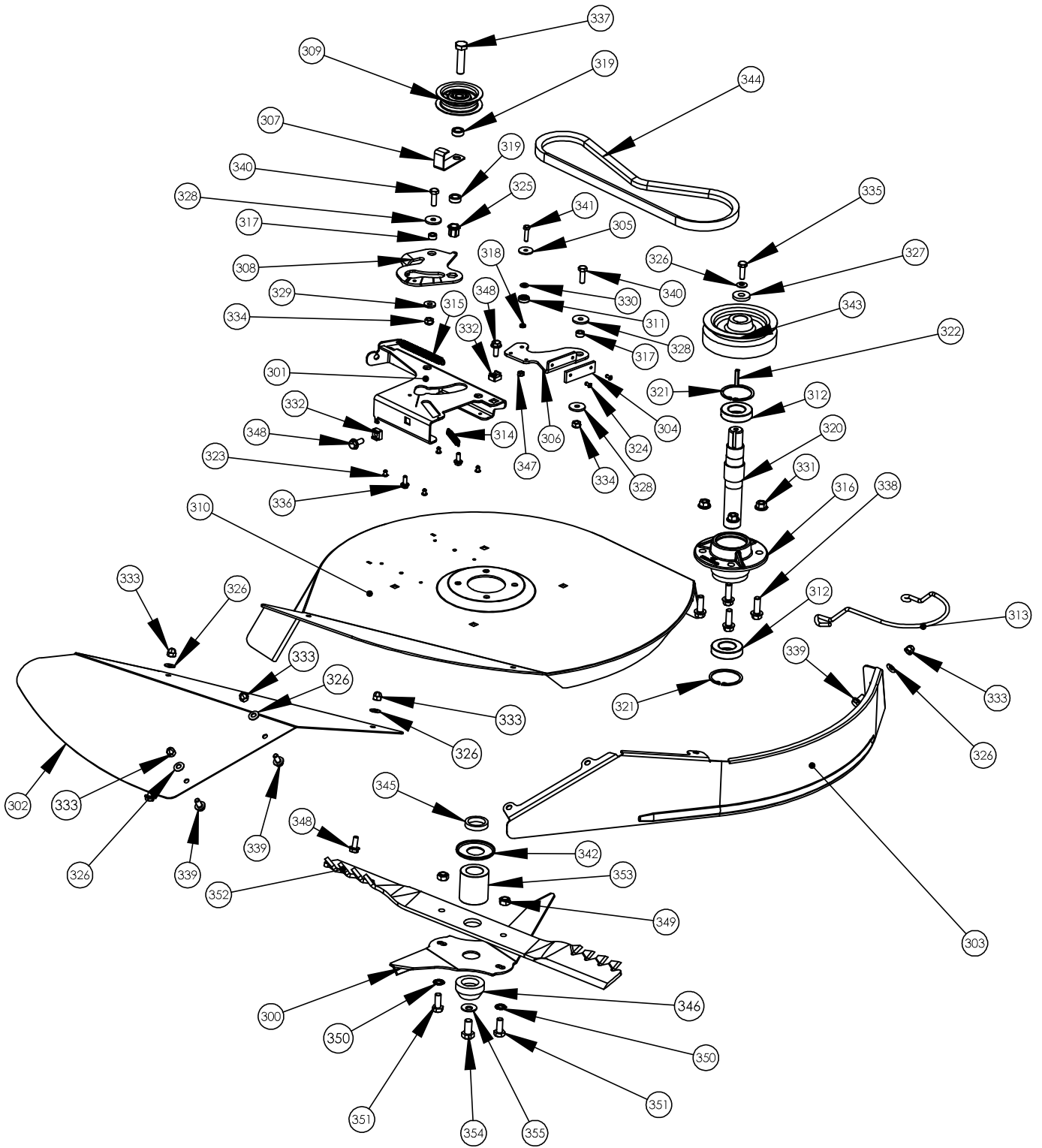
Rep N°	Ref	Désignation	Description	Qté
2	KE02060205	LEVIER DE RELEVAGE	WORK LEVEL SELECTION TOOL	1
3	KH02052101	CAPOT AVANT VERT	GREEN FRONT COVER	1
3	KH02050601	CAPOT AVANT ROUGE	RED FRONT COVER	1
4	KE02061003	TRAIN AVANT GRIS ALU	ALU GREY FRONT WHEEL SUPPORT	1
5	KE02060204	POIGNEE RELEVAGE ZN	LIFT HANDLE	1
6	KE02030208	PLAQUE REGLAGE MANCHERON ZN	HANDLEBAR BASE UPSIDE	1
7	KE02030207	PLAQUE DE SERRAGE MANCHERON INFERIEUR ZN	HANDLEBAR BASE DOWNSIDE	1
8	KE02010206	CHAPE ROUE DROITE ZN	RIGHT AXLE FRONT WHEEL	1
9	KE02010202	CHAPE DE ROUE GAUCHE ZN	LEFT AXLE FRONT WHEEL	1
10	K503000042-	ETIQ "PRECAUTIONS EMPLOI"	"Safety instructions" label	1
11	K503000041	AUTOCOLLANT COMMANDE DE FREIN	STICKER "BRAKE LEVER"	1
12	K503000023-	AUTOCOLLANT HAUTEUR DE COUPE	STICKER "WORK LEVEL"	1
13	K341000037	EMBOUT M NOIR 24 x 5 lg 100	BLACK END CAP	1
14	K341000004	BOULE PLASTIQUE DIAM 8	END PIECE Ø 8	2
15	K309000008	ROUE DE 200	FRONT WHEEL	2
16	K307010006	POIGNEE DEBRAYABLE M10	HANDLE FOR HANDLEBAR LEVEL SELECTION	1
17	K305020003	RESSORT DE COMPRESSION	COMPRESSION SPRING	2
18	K302020017	ENTRETOISE ARTICULATION	ROUND SPACER	2
19	K302010023	AXE EPAULE INDEXAGE MANCHERON	INDEX AXLE	1
20	K302010012	AXE DE POSITIONNEMENT	POSITION AXLE	1
21	K302000001	RONDELLE PROTECTION AXE ROUE AVANT	PROTECT WASHER	4
22	0300431002	RONDELLE CONTACT M 10 LARGE	WASHER D 10	1
23	0503000006	AUTO-COLLANT DANGER LAME 78 X	Label "danger sticker"	2
24	0341000149	BOUCHON TUBE Ø30	PIPE CAP	2
25	0340000002	ATTACHE IMP D6 EP2.5 L15	Captive fastener for screw 4.2	6
26	0306030096	COURROIE XPA 1107	BELT XPA 1107	1
27	0300440801	Rondelle éventail 8z	External tooth lock washer Ø8 z	4
28	0300431001	RONDELLE CONTACT 10 BIC NFE	Elastic washer 10 Bic	8
29	0300401210	RONDELLE PLATE 13X24X2,5	WASHER 13X24X2.5	2
30	0300260801	ECROU HM 8 ZEMB CR DIN 6923-8	NUT H M8 Z NOTCHED SHOULDER	4
31	0300211201	ECROU FREIN M 12 Z DIN 985/8	BLOCKING NUT M 12 Z	1
32	0300201002	ECROU H.U. M 10 Z DIN 934	NUT HM 10Z	6
33	0300081001	VIS TRCC 10X 20 Z 80KG	SCREW TRCC 10 x 20	4
34	0300080405	VIS TOLE TETE POELIER D11	SCREW POZI 4.2X16Z	6
35	0300011043	VIS TH 10 x 60 8.8 ZN DIN 933	SCREW H 10 X 60	2
36	0300010838	VIS H 8x25 Z EMB CR DIN 6921	SCREW H 8x25 Z DIN 6921	1
37	0300010801	VIS H 8 X 16 Z DIN933/6.8	Screw HM 8x16 z	4
38	0300010816	VIS H 8x20 Z EMB CR	SCREW H M8X20 Z	3



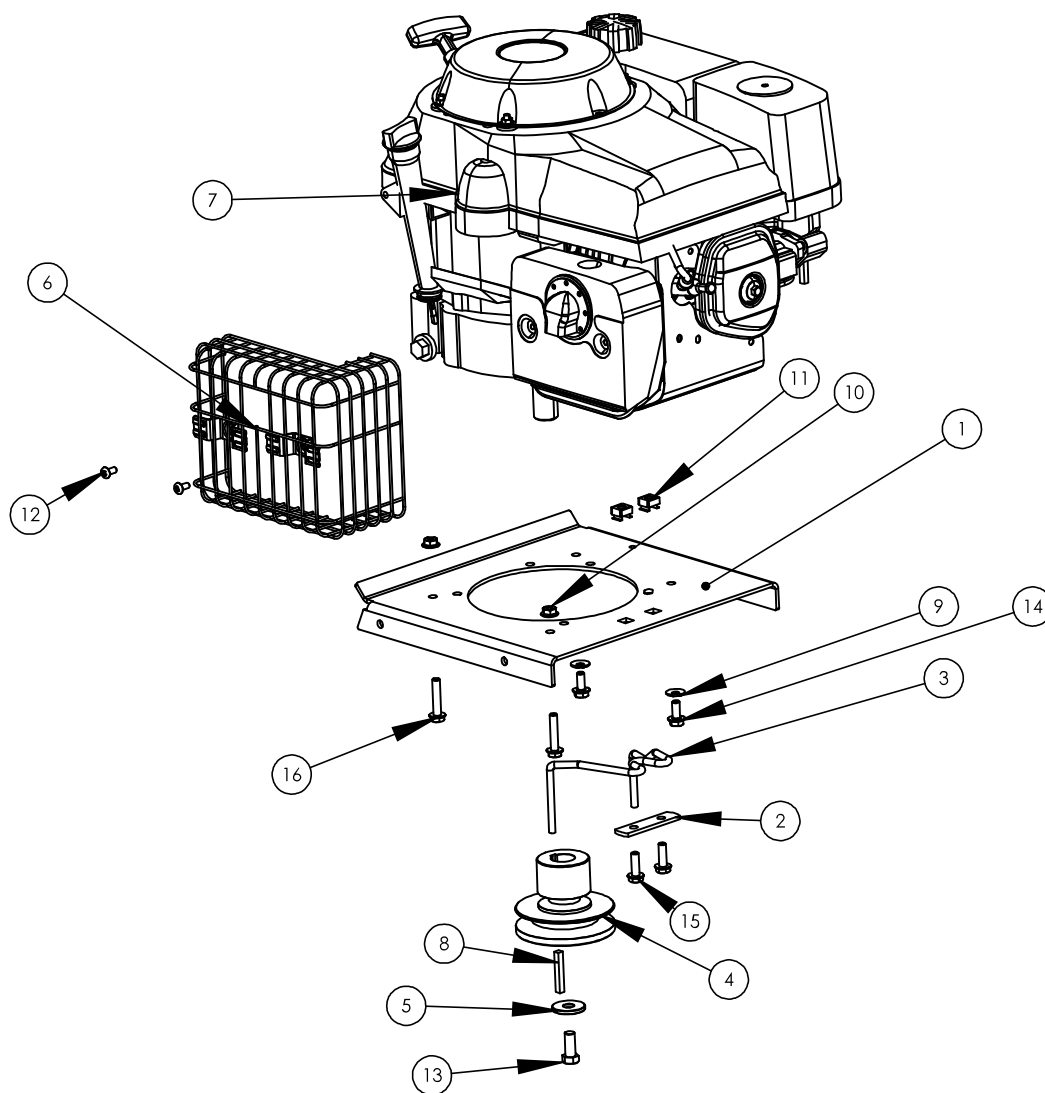
Rep N°	Ref	Désignation	Description	Honda /Qté
100	K308020036	CABLE EMBR DE LAME	BLADE CLUTCH CABLE	1
101	K308040012	CABLE COMMANDE DES GAZ	THROTTLE CABLE	1
102	K307020010	POIGNEE GAZ	THROTTLE LEVER	1
103	0308010028	CABLE VARIATION VITESSE	VARIATION SPEED CABLE	1
104	K308010047	CABLE EMBR AVANCE	FORWARD CABLE	1
105	K308010048	CABLE MAR	REVERSE CABLE	1
106	0307020034	MANETTE MAR LMS45BB0T.MS-MB0	REVERSE LEVER	1
107	0307020032	MANETTE MAV LMS45CB00.MB-MB0	FORWARD LEVER	1
108	KE02061001	MANCHERON GRIS ALU	GREY HANDLEBAR	1
109	K307020015	MANETTE VAR. VITESSE x	Locking throttle LGK07FK40	1
110	0300210602	ECROU FREIN M 6 Z DIN 985-8	BLOCKING NUT M 6 Z	2
111	0300080605	VIS TRCC 6 X 55/20 Z Din603	Screw TRCC M6x55 z	1
112	K307010036	LEVIER EMBR DE LAME	CLUTCH LEVER	1
113	K307020005	POIGNEE CAOUTCHOUC DIAM 25	GRIP	2
114	0300080610	VIS TRCC 6 X 45/20 Z Din603	SCREW TRCC 6 X 45 Z	1
115	KM02011002	TUBE LIAISON GUIDON GRIS ALU	HANDLEBAR ALU GREY LINK TUBE	2
116	0300100804	VIS BHC 8x50 CL10.9 ZN DEG	SCREW BHC 8x50 CL10.9 ZN DEG	4
117	K503000058-	AUTOCOLLANT SELECTION VITESSE	STICKER " SPEED SELECTION"	1
118	K503000005-	AUTOCOLLANT ACCELERATEUR STOP + STARTER	STICKER "SPEED VARIATION" WITH STARTER	1
119	KF02040601	TOLE MANCHERON ROUGE RAL3002	RED RAL 3002 HANDLEBAR SHEET	1
120	0300500401	RIVET ACIER/ACIER 4 x12	RIVET STEEL/STEEL 4 x12	4
121	0308010030	CABLE COMMANDE CARBOT	DIF LOCK CABLE	1
122	0300010630	VIS HM EMB CRANTEE 6 X 10	SCREW H 6x10 NOTCHED SHOULDER	1



Rep N°	Ref	Désignation	Description	Qté
200	KE02061602	TOLE CHASSIS INF NOIRE	BLACK LOWER FRAME	1
201	KE02062101	FLANC GAUCHE VERT	GREEN LEFT CARTER	1
201	KE02060605	FLANC GAUCHE ROUGE	RED LEFT CARTER	1
202	KE02062102	FLANC DROIT VERT	GREEN RIGHT CARTER	1
202	KE02060606	FLANC DROIT ROUGE	RED RIGHT CARTER	1
203	0304000679	TOLE ARRET GAINE BV	SHEATH STOP	1
204	KE02061604	CAPORT ARR SUP NOIR	BLACK SUPERIOR BACK COVER	1
205	KE02061608	TRAPPE CAISSON INF NOIR	BLACK LOWER COVER	1
206	KE02061609	CAPOT ARRIERE NOIR	BLACK BACK COVER	1
207	0304000675	EQUERRE TENSION COURROIE	belt tension angle	2
208	0341000159	PASSE CABLE POUR TOLE EP 3	WIRE PROTECT	3
209	0300010815	VIS H 8x16 Z EMB CR DIN 6921	SCREW H M8X16 Z	4
210	0300090602	VIS AUTOTAR TH A EMB 6 X 16 Z	Screw HM6x16 z Self-tapping	14
211	0300010609	VIS H 6x16 Z EMB CR DIN 6921	SCREW HM 6X16 Z NOTCHED SHOULD	6
212	0341000138	BOUCHONS ETANCHEITE GPN 915	CAP Ø25-27	10
213	0300090807	VIS H 8x16 Z EMB CR	SCREW H M8X16 Z	14
214	0301000025	PASSE FIL EN CAOUTCHOUC DK	WIRE PROTECT	1
215	0300260601	ECROU HM 6 ZEMB CR DIN 6923	NUT H M6 Z NOTCHED SHOULDER	6
216	5201000003	TRANSMISSION MODULAIRE V3 ES	MODULAR TRANSMISSION	1
217	KE02061607	CAPOT TOLE POTENCE NOIR	BLACK BRACKET COVER	1
218	0300261001	ECROU HM 10 ZEMB CR DIN 6923	Nut H M10 notched shoulder	2
219	KE02061601	SUPPORT MANCHERON NOIR	BLACK HANDLEBAR SUPPORT	1
220	0300101003	VIS BHC M10 x12 EMBASE LISSE	SCREW BHC M10 x 12	6
221	0304000693	GUIDE BLOCAGE DIFFERENTIEL	DIFFERENTIAL LOCK SLIDE	1
222	0300210604	ECROU FREIN M6 EMB LISSE	BLOCKING NUT M6 SMOOTH SHOULD	2
223	0341000160	SILENTBLOC MF 50/30	SILENTBLOCK	2
224	K302020148	ENTRETOISE AVEC BUTEE EP 30	SPACER WITH STOPPER	2
225	KF02040201	CREMAILLERE REGLAGE HAUTEUR	CUT ADJUST LEVEL RACK	1



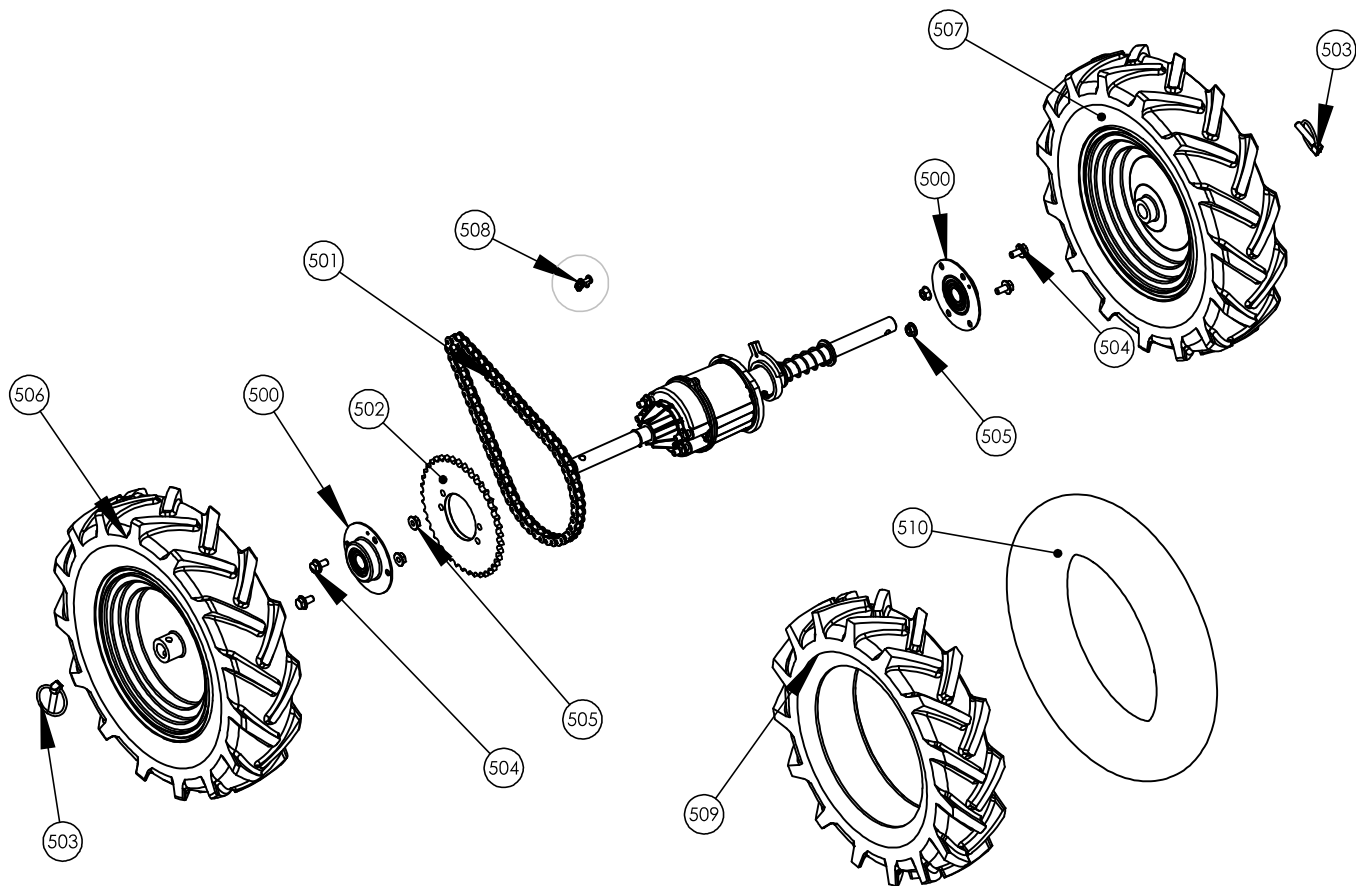
Rep N°	Ref	Désignation	Description	Qté
300	KP02011603	EJECTEUR NOIR	BLACK VENTILATING PLATE	1
301	KP02010208	PLATINE EMBRAYAGE ZN	CLUTCH SUPPORT	1
302	KP02011902	TÔLE ENDAINEUR GRIS RAL 7021	GREY RAL 7021 SIDE DEFLECTOR	1
303	KP02011903	BANDEAU TONDEUSE GRIS RAL 7021	GREY RAL 7021 FRONT DEFLECTOR	1
304	KM04020001	GARNITURE DE FREIN	BRAKE	1
305	KM02020205	RONDELLE PLATE 6.2 x 25 x 2 ZN	WASHER 6.2 x 25 x 2	1
306	KM02020204	LEVIER PORTE FREIN	BRAKE LEVER	1
307	KM02020203	PLAT GALET DE TENSION	PLATE OF CLUTCH RUNNER	1
308	KM02020202	LEVIER EMBR DE LAME	CLUTCH LEVER	1
309	KE03020001	GALET GORGE PLATE LARGEUR 24	RUNNER	1
310	KF02041901	COUPOLE GRIS RAL 7021	BLADE GUARD RAL 7021	1
311	K306010043	ROULEMENT 2RS 6 x 19 x 6	BEARING 1 2RS 6 x 19 x 6	1
312	K306010032	ROULEMENT 6006 2 RS	BEARING 6006 2 RS	2
313	K305030020	GUIDE COURROIE	BELT GUIDE	1
314	K305010028	RESSORT DE RAPPEL	SPRING	1
315	K305010030	RESSORT RAPPEL	SPRING	1
316	K302030067	PALIER COUPELLE	Blade guard bearing	1
317	K302020111	ENTRETOISE 8 x 14 x 7.3	RUNNER SPACER	2
318	K302020110	ENTRETOISE 6.2 x 10 x 3	SPACER 6.2 x 10 x 3	1
319	K302020109	ENTRETOISE 12.2 x 20 x 8	RUNNER SPACER	2
320	K302010103	ARBRE LAME	BLADE SHAFT	1
321	K301070014	CIRCLIPS INTERIEUR DE 55 DIN	CIRCLIPS INT 55 DIN	2
322	K301040014	CLAVETTE 5 x 5 x 30	KEY 5 X 5 X 30	1
323	K301000015	RIVET INOX A2 4.8x12	RIVET STAINLESS STEEL 4.8x12	4
324	0301000029	RIVET ALU / ACIER TP 4 x 12	RIVET ALU / STEEL TP 4 X 12	2
325	0300601202	RIVKLE BOLLHOF M12 HEXA	RIVKLE BOLLHOF M12	1
326	K300430801	RONDELLE CONTACT M8	WASHER M8	6
327	K300401103	RONDELLE PLATE 30 x 11 x 5 ZN	WASHER 30 X 11 X 5 ZN	1
328	0300400806	RONDELLE PLATE 9 x 28 x 3	PLATE WASHER 9 X 28 X 3	3
329	0300400805	RONDELLE PLATE ZN 8 x 20 x 3	WASHER 8 x 20 x 3	1
330	0300400602	RONDELLE PLATE M 6X14X1,2 Z	PLATE WASHER M 6X14X1,2 Z	1
331	K300261001	ECROU H M10 EMB CR	NUT H M10 NOTCHED SHOULDER	4
332	0300230803	Ecrou cage M8 4808-B-4	NUT RAPID M8	2
333	K300220802	ECROU BORGNE M8	NUT M8	5
334	0300210802	ECROU FREIN M 8 Z DIN 985/8	BLOCKING NUT HM 8 Z DIN 985/8	2
335	0300090801	VIS A GAUCHE 8X25 Z	Screw H M8x25 z LH	1
336	K300090603	VIS SPIRAFORM 6 x 16	SCREW SPIRAFORM 6 X 16	2
337	0300011227	VIS HM 12 x 50 ZN CL8.8	SCREW H 12 X 50	1
338	K300011026	VIS H 10 x 30 EMB CR	Screw HM 10x30 Z Emb cr	4
339	K300010830	VIS H 8 x 16 EMB CR	SCREW H 8 x 16 NOTCHED SHOULDER	4
340	0300010828	VIS H M8x25 CL8.8 ZN DIN 933	SCREW HM 8 X 25 ZN DIN 933	2
341	0300010616	VIS H 6 X 25 Z	Screw HM6x25	1
342	5504000032	RONDELLE PROTEC ARBRE COUP	Cup shaft protection washer	1
343	0306060012	POULIE COUPELLE L/GT/GTP	PULLEY	1
344	0306030099	COURROIE DE LAME LB40	BLADE V-BELT LB40	1
345	0302020043	RONDELLE LAME EP8 ZN	Spacer 40 x 30,5 x 8	1
346	0302020041	RONDELLE DE SERRAGE	Blocking washer	1
347	0300210602	ECROU FREIN M 6 Z DIN 985-8	BLOCKING NUT M 6 Z	1
348	0300010816	VIS H 8x20 Z EMB CR	SCREW H M8X20 Z	3
349	K300211001	ECROU FREIN M10	BLOCKING NUT M10	2
350	K300441001	RONDELLE EVENTAIL AZ 10 ZN	WASHER AZ 10 ZN	2
351	K300011009	VIS TH 10 x 25 ZN	SCREW TH 10 X 25 ZN	2
352	0320020012	LAME HERBE 650x 64 x6.4 LSEN	GRASS BLADE Ø650	1
353	K302020129	ENTRETOISE 50x30x55.25	SPACER 50x30x55.25	1
354	K300011210	VIS TH 12 x 25 BRUT 10.9	SCREW TH 12 X 25 10.9 BRUT	1
355	K300431201	RONDELLE CONTACT M12 NFE 25-511 ZN	Elastic washer 12 Bic	1



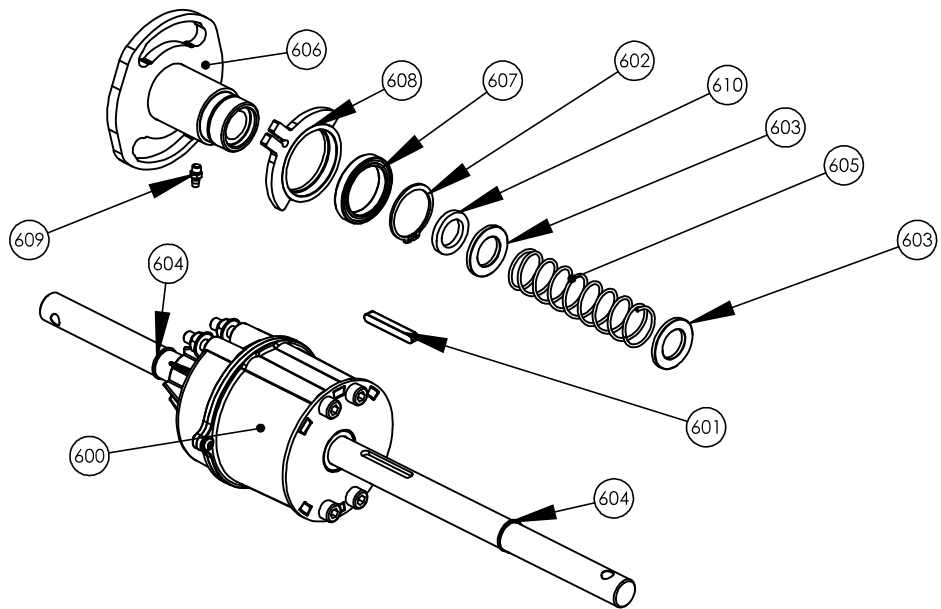
Rep N°	Ref	Désignation	Description	QTE
1	KE02061603	SUPPORT MOTEUR NOIR	BLACK MOTOR SUPPORT	1
2	KE02020211	PLAT FIXATION PLAQUE DE DEB FIL LASER	BELT GUIDE PLAT FIXATION	1
3	K305030018	PLAQUE DE DEBRAYAGE	CLUTCH PLATE	1
4	K302030123	POULIE MOTEUR	MOTOR PULLEY	1
5	K302020002	RONDELLE PLATE	PLATE WASHER	1
6	0330012011	GRILLE ECHAPPEMENT GXV340	EXHAUST GRILL GXV340	1
7	0330011028	HONDA GXV390 T1-DN5-SD		1
8	0301040048	CLAVETTE BOUT DROIT DE 6.35 x 6.35 x 45	KEY RIGHT END 6.35 X 6.35 X 45	1
9	0300430801	RONDELLE CONTACT M8 NF E 25511	CONTACT WASHER 8	2
10	0300260801	ECROU HM 8 ZEMB CR DIN 6923-8	NUT H M8 Z NOTCHED SHOULDER	2
11	0300230804	ECROU RAPID M8 C 4808 CA	NUT RAPID M8 C 4808CA	2
12	0300080602	VIS TOLE TCB POZI 6,3 X 13 Z	POZIDRIVE SCREW M6x13Z	2
13	0300060706	VIS TH 7/16 8.8 UNF 1	SCREW TH 7/16 8.8 UNF 1	1
14	0300060504	VIS 5/16 TH24 UNF3/4(LG19)E	SCREW 5/16 TH24 UNF3/4 LG19	2
15	0300010838	VIS H 8x25 Z EMB CR DIN 6921	SCREW H 8x25 Z DIN 6921	2
16	0300010817	VIS H 8x40 Z EMB CR DIN 6921	SCREW H M8 X 40	2

\*Le service après vente : s'adresser au réseau motoriste concerné  
For the engine's spare parts, please contact the motor's retailers network

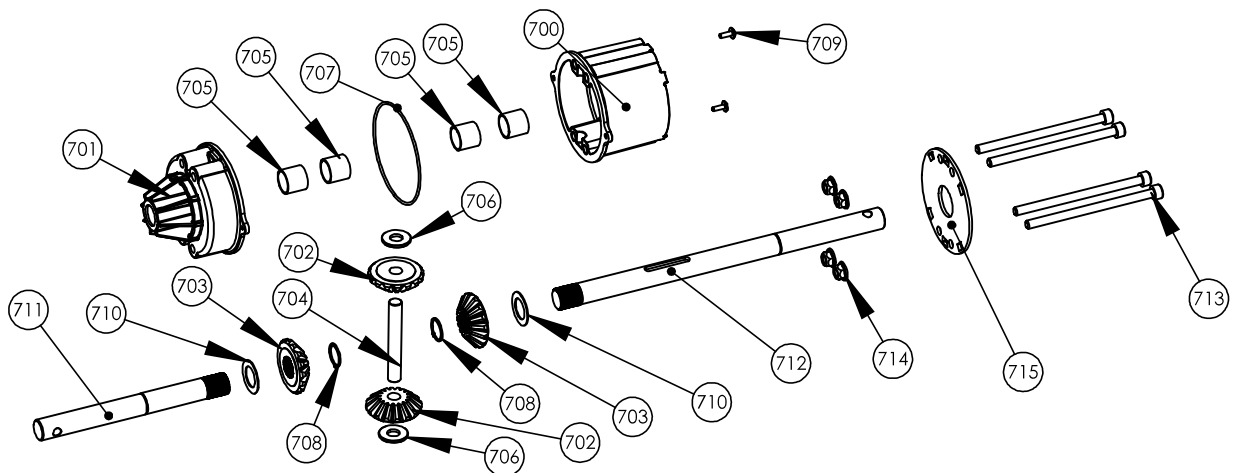




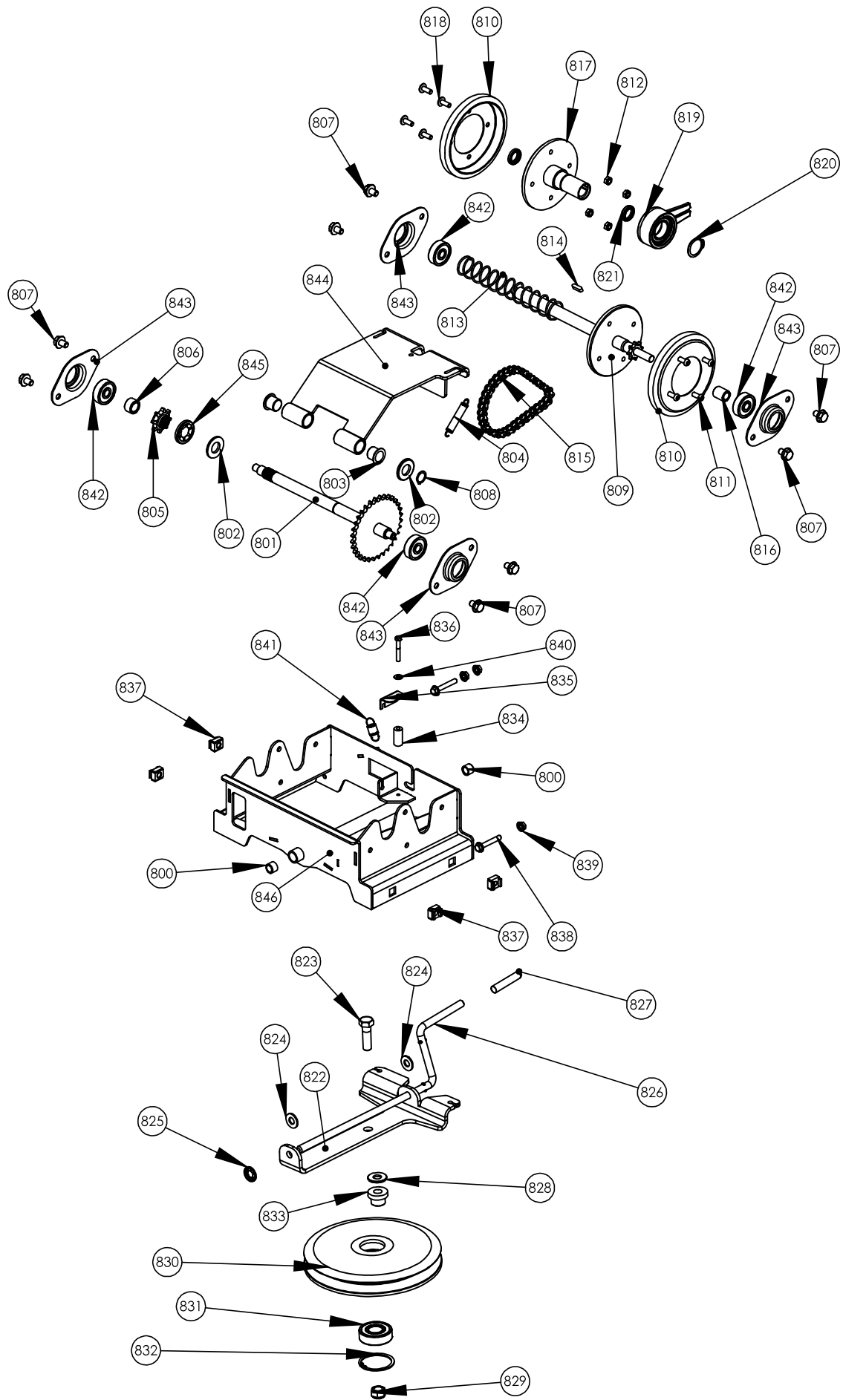
Rep N°	Ref	Désignation	Description	Qté
500	5201020019	PALIER ASSEMBLE D=20	BEARING Ø20	2
501	0306020052	CHAINE ISO 08B-1 57 MAIL 12.7	CHAIN ISO 08B-1 PITCH 12.7 57 CHAIN LINKS	1
502	0306050110	PIGNON 41dts x12.7 x 7.2	SPROCKET 41 TEETH	1
503	0301010009	GOUPILLE CLIPS 8X42	Cotter-pin	2
504	0300010815	VIS H 8x16 Z EMB CR DIN 6921	SCREW H M8X16 Z	4
505	0300260801	ECROU HM 8 ZEMB CR DIN 6923-8	NUT H M8 Z NOTCHED SHOULDER	4
506	0309000072	ROUE 4.00x8 DROITE	RIGHT WHEEL 4.00 x 8	1
507	0309000073	ROUE 4.00x8 GAUCHE	LEFT WHEEL 4.00 x 8	1
508	0001000378	ATTACHE RAPIDE 12.7 N 10.08B	Quick fastener (12.7)	1
509	0309000063	PNEU 400/480 x 8 - 4PR	TIRE 400X8 -4PR	2
510	9501000533	CHAMBRE A AIR 400/480 x 8	INNER TUBE 400/480 x 8	2



Rep N°	Ref	Désignation	Description	Qté
600	5001000001	DIFFERENTIEL	DIFFERENTIAL GEAR	1
601	0301040044	CLAVETTE BT ROND 6X6X45	KEY 6x6x45	1
602	K301070016	CIRCLIPS EXTERIEUR DE 35	External retaining ring 35	1
603	0300402001	RONDELLE PLATE 21x36x3z	WASHER 21x36x3z	2
604	0301070007	CIRCLIPS EXTERIEUR 20 / 0437	Circlips E 20	2
605	K305020011	RESSORT BLOCAGE DIFFERENTIEL	Locking spring	1
606	5002000203	CRABOT SOUDE	LOCKING CLUTCH	1
607	0306010074	ROULEMENT 6807 2RS	Ball bearing 6807 2RS	1
608	5002000202	ACTIONNEUR CRABOT	LOCKING CONTROL	1
609	0301000016	GRAISSEUR M6	GREASER M6	1
610	0341000030	JOINT FEUTRE 20X30X4	RING 20X30X4	1



Rep N°	Ref	Désignation	Description	Qté
700	0340000025	COQUE DIFFERENTIEL GAUCHE	LEFT HOUSING DIFFERENTIAL	1
701	0340000026	COQUE DIFFERENTIEL DROITE	RIGHT HOUSING DIFFERENTIAL	1
702	0306050108	PIGNON 16DTS M3 DIN 3971	SPROCKET 16 TEETH	2
703	0306050109	PIGNON 16DTS M3 DIN 3971	SPROCKET 16 TEETH	2
704	0302010233	AXE PORTE SATELITES	AXLE	1
705	0306010073	PALIER LISSE 20X23X20	RING 20X23X20	4
706	0300401201	RONDELLE PLATE M 12X27X2.5 Z	PLATE WASHER M 12X27X2.5 Z	2
707	0343010011	JOINT TORIQUE 94X2	O-RING 94X2	1
708	0301070007	CIRCLIPS EXTERIEUR 20 / 0437	Circlips E 20	2
709	0300090405	Vis Altracs WN5151 40x12z	Screw Altracs WN5151 40x12z	2
710	0300402004	RONDELLE 20X32X1 BRUT	WASHER 20X32X1	2
711	0302010234	DEMI ARBRE DROIT	RIGHT HALF SHAFT	1
712	0302010235	DEMI ARBRE GAUCHE	LEFT HALF SHAFT	1
713	0300020812	VIS CHC M8 X130 Z CL 12.9	SCREW CHC M8 X130 Z CL 12.9	4
714	0300210805	ECROU BDR HM8 EMB LISSE	NUT BDR HM8 SMOOTH BASE	4
715	0304000666	PLATINE BLOCAGE DIFF FIXE	LOCKING DIFFERENTIAL WASHER	1



Rep N°	Ref	Désignation	Description	Qté
800	0341000145	BAGUE JSM-1014-10	BEARING JSM-1014-10	2
801	0302010225	ARBRE SORTIE TRANS MOD	Output shaft	1
802	0300401601	RONDELLE PLATE M16 17x32x3 NFE	PLATE WASHER M16	2
803	0341000146	PALIER JFM-1618-16	BEARING JFM-1618-16	2
804	0305010040	RESSORT DE RAPPEL	SPRING	1
805	0306050016	PIGNON 8 DTS 12.7 SIMPLE	PIGNON 8 TOOTH 12.7	1
806	0302020259	ENTRET 14X20X11.8	SPACER 14x20x11.8	1
807	0300090809	VIS H 8x12 Z EMB CR	SCREW H M8X12 Z	8
808	0301070024	CIRCLIPS EXTERIEUR 16 / 0437	CIRCLIPS E16	1
809	0302010223	ARBRE VARIATION TRANS MOD	Speed variation shaft	1
810	0306060030	RONDELLE DE FRICTION SURMOULEE	OVERMOLDED FRICTION WASHER	2
811	0300110605	VIS-DIN7985-4.8-TX30-M6X16	Screw Torx M6x16	4
812	0300210602	ECROU FREIN M 6 Z DIN 985-8	BLOCKING NUT M 6 Z	8
813	0305020014	RESSORT VARIATION VITESSE	LOCKING SPRING	1
814	0301040022	CLAVETTE 5x5x18 BTS ROND	KEY 5x5x18 DIN 6885 A	1
815	0306020024	CHAINE ISO 06B-1 PAS 9.525	CHAIN ISO 06B-1 PITCH 9.525	1
816	0302020257	ENTRET 10.5X16X19.8	SPACER 10.5X16X19.8	1
817	0302010101	MOYEU MAV TRANS MOD	FORWARD HUB MODULAR TRANS	1
818	0300110607	VIS-WN7380/2-010.9-TX30-M6X16	Screw Torx M6x16	4
819	0340030043	FOURCHETTE	Modular transmission	1
820	0301070011	CIRCLIPS EXT. DE 25	EXTERNAL RETATING RING 25	1
821	0343020004	JOINT A LEVRE 17X23X4/5 NBR	Lip seal 17x23x4/5 NBR	2
822	5203000003	BALANCIER TRANS MOD PLIE	WALKING BEAM MOD TRANS	1
823	0300011203	VIS H 12 X 40 Z DIN 933/8.8	Screw HM 12x40z	1
824	0300401002	RONDELLE PLATE M 10X22X2 Z	PLATE WASHER M 10X22X2 Z	2
825	0300461001	RONDELLE STARLOCK Ø10	Starlock washer Ø10	1
826	0305030047	MANETTE DE FREIN TRANS MOD V2	BRAKE LEVER	1
827	0341000024	EMBOUT TYPE A -D9 LG 50 NOIR	End piece length: 50	1
828	0300401201	RONDELLE PLATE M 12X27X2.5 Z	PLATE WASHER M 12X27X2.5 Z	1
829	0300211201	ECROU FREIN M 12 Z DIN 985/8	BLOCKING NUT M 12 Z	1
830	0303010002	POULIE OSCILLANTE TRANS MOD	OSCILLATING PULLEY	1
831	0306010035	ROULEMENT 6204 DDU EMQV1	6204 DDU EMQV1 Ball-Bearing	1
832	0301070006	CIRCLIP INTERIEUR 47 DIN472-47	INTERNAL RETAINING RING	1
833	0302010104	AXE DE POULIE OSCILLANTE	Oscillating pulley axle	1
834	0302020258	ENTR 5.2X12X25.2 ZN	SPACER	1
835	5203000004	PLATINE CABLE PLIE	folded cable sheet	1
836	0300010503	VIS H 5 X 35 Z NF EN24014/6.8	SCREW 5x35 Z NF EN24014/6.8	1
837	0300230803	Ecrou cage M8 4808-B-4	NUT RAPID M8	4
838	0300010611	VIS H 6x40 Z EMB CR DIN 6921	SCREW H 6x40 Z DIN 6921	2
839	0300260601	ECROU HM 6 ZEMB CR DIN 6923	NUT H M6 Z NOTCHED SHOULDER	4
840	0300400501	RONDELLE PLATE M 5X12X1 Z	Washer M 5x12x1 Z	1
841	0305010039	RESSORT RAPPEL	SPRING	1
842	0306010050	ROULEMENT 6300 2RS	BALL BEARING 6300 2RS	4
843	0303000047	PALIER ROULEMENT DXT 35 EP 11	BEARING RLT 6300	4
844	5202000206	FREIN TRANS MOD V2	Modular transmission brake	1
845	0300461601	RONDELLE STARLOCK DIA 16	STARLOCK WASHER D16	1
846	5203000007	SUPPORT BV ASSEMBLE V2	ASSEMBLED SUPPORT V2	1