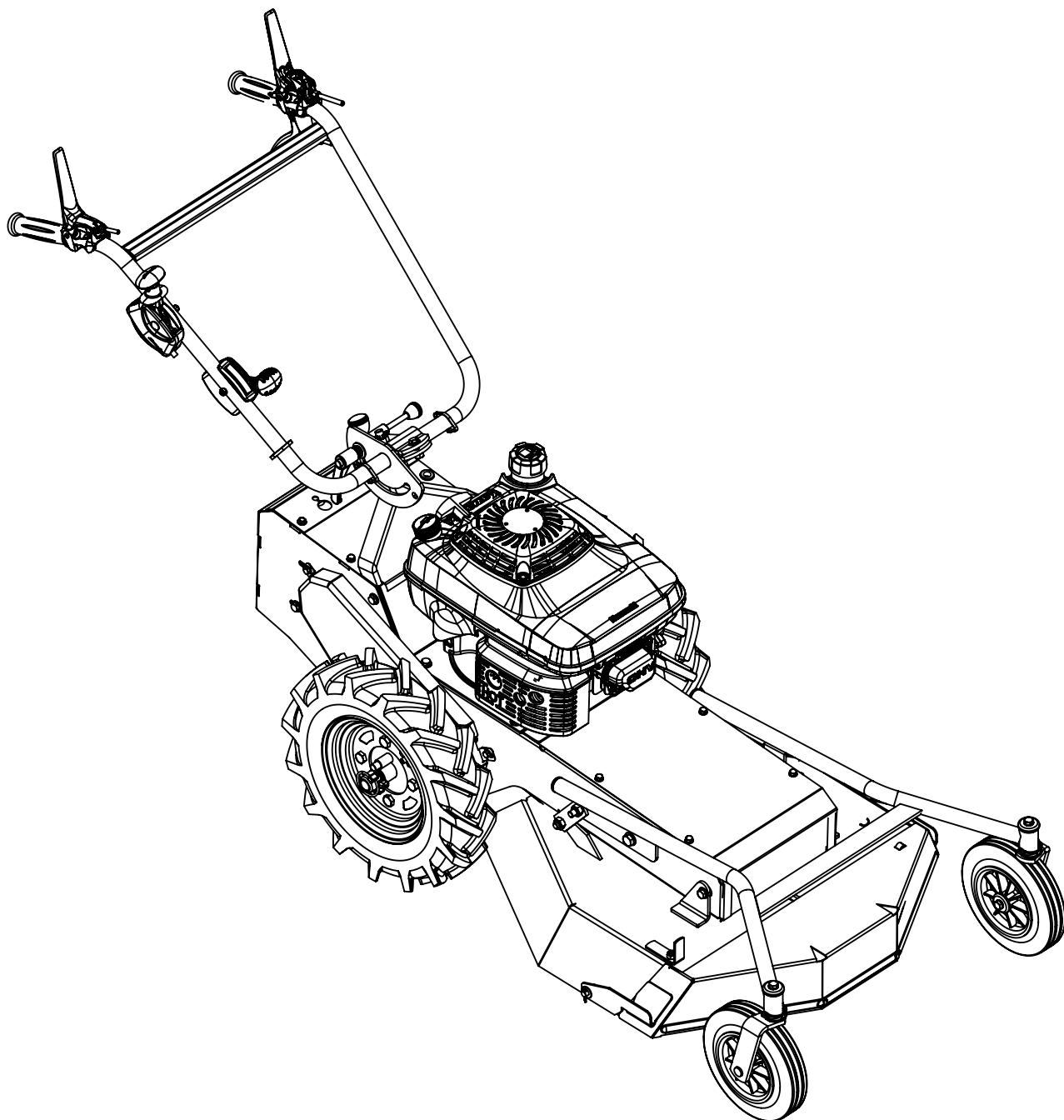
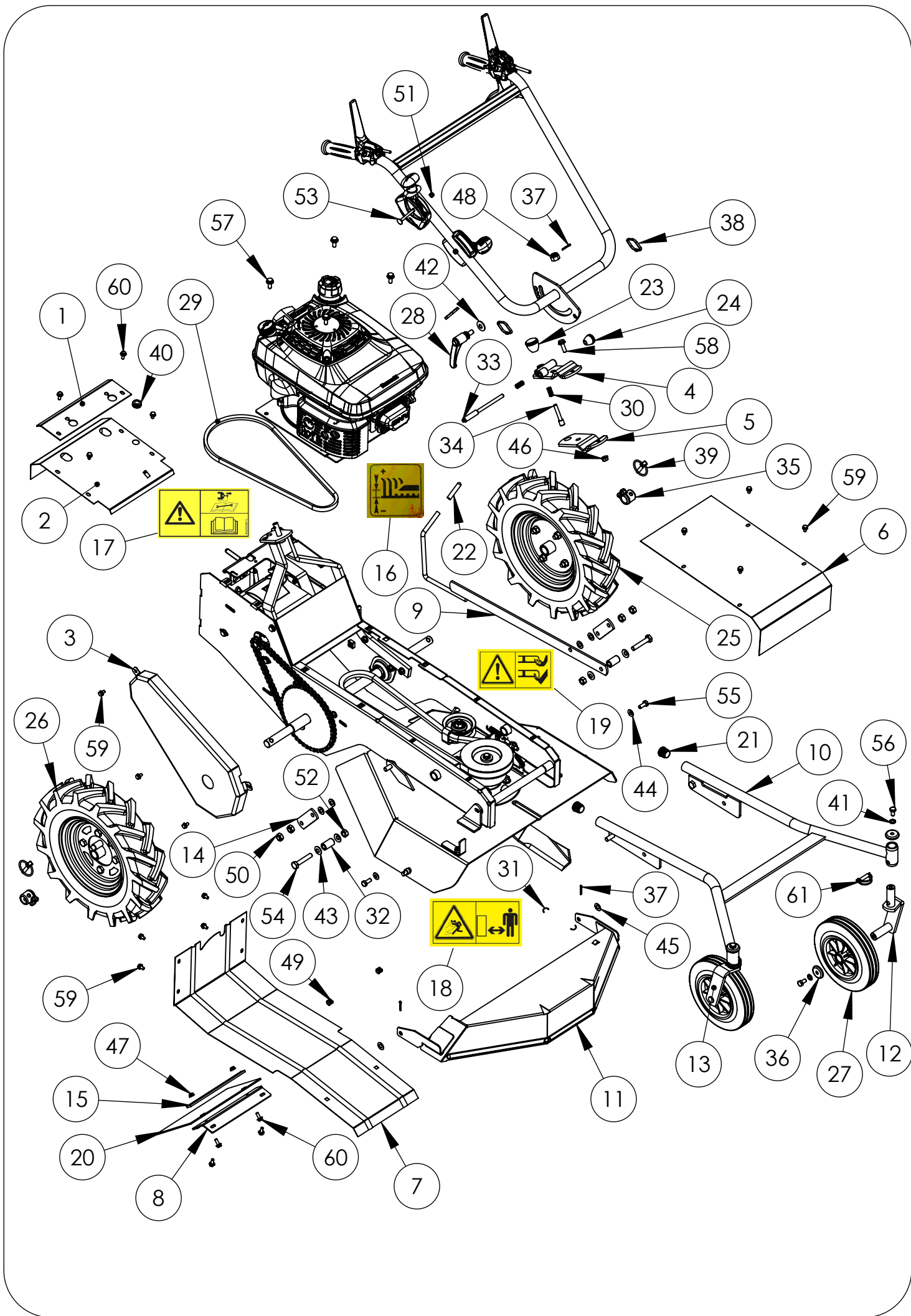


Pièces de rechange Spare parts list

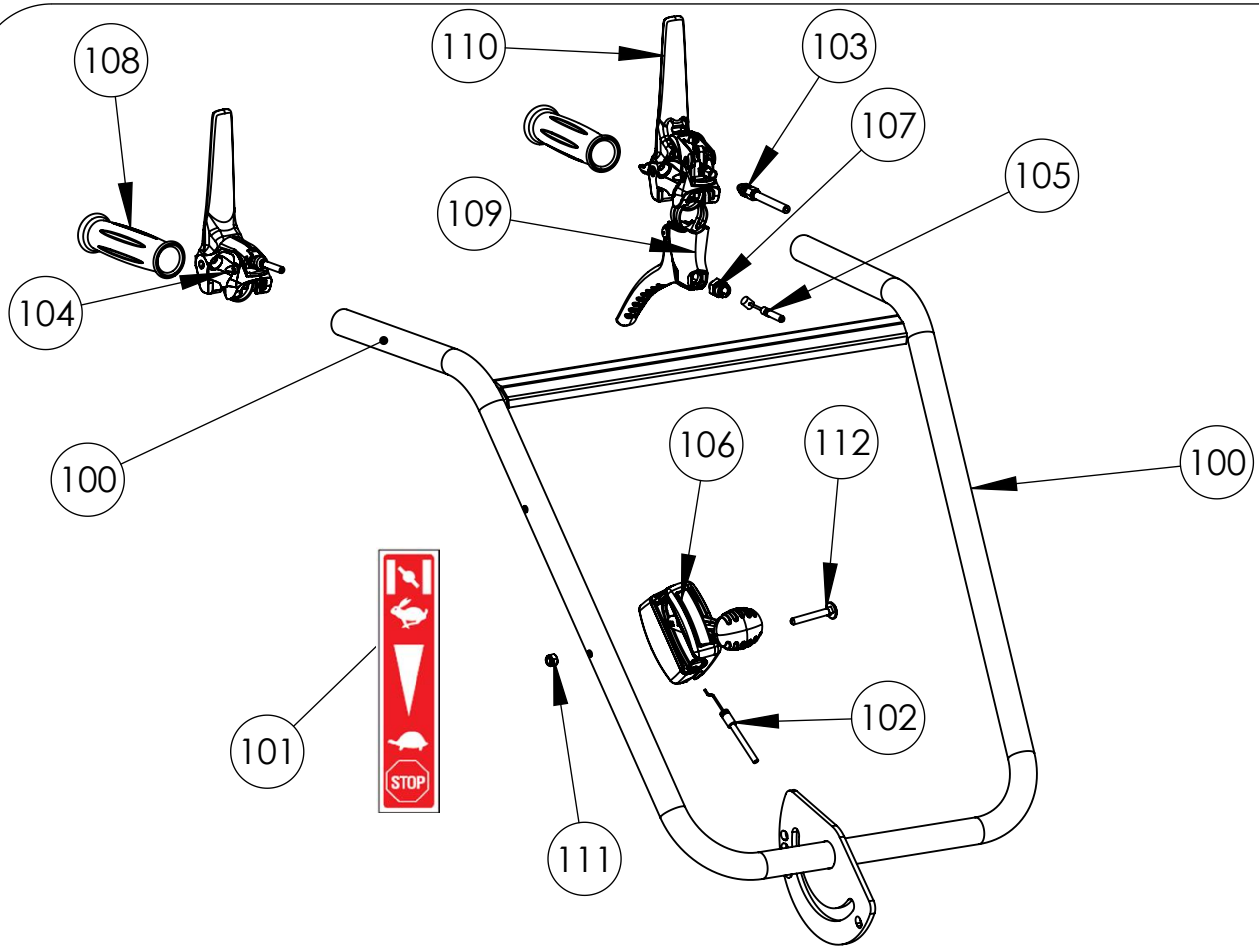
KD0004****



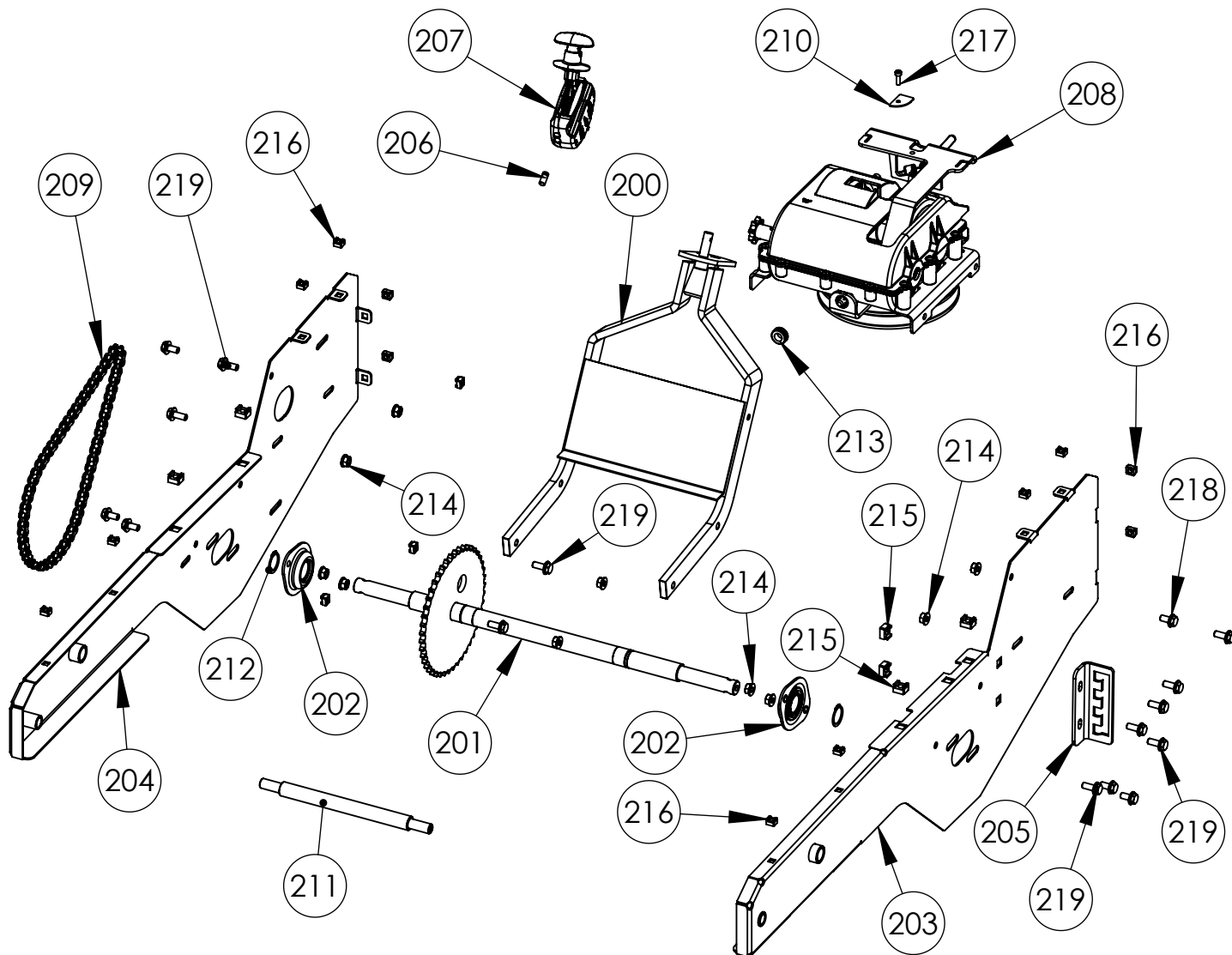
***FAUCHEUSE BROYEUSE
BRUSH CUTTER***



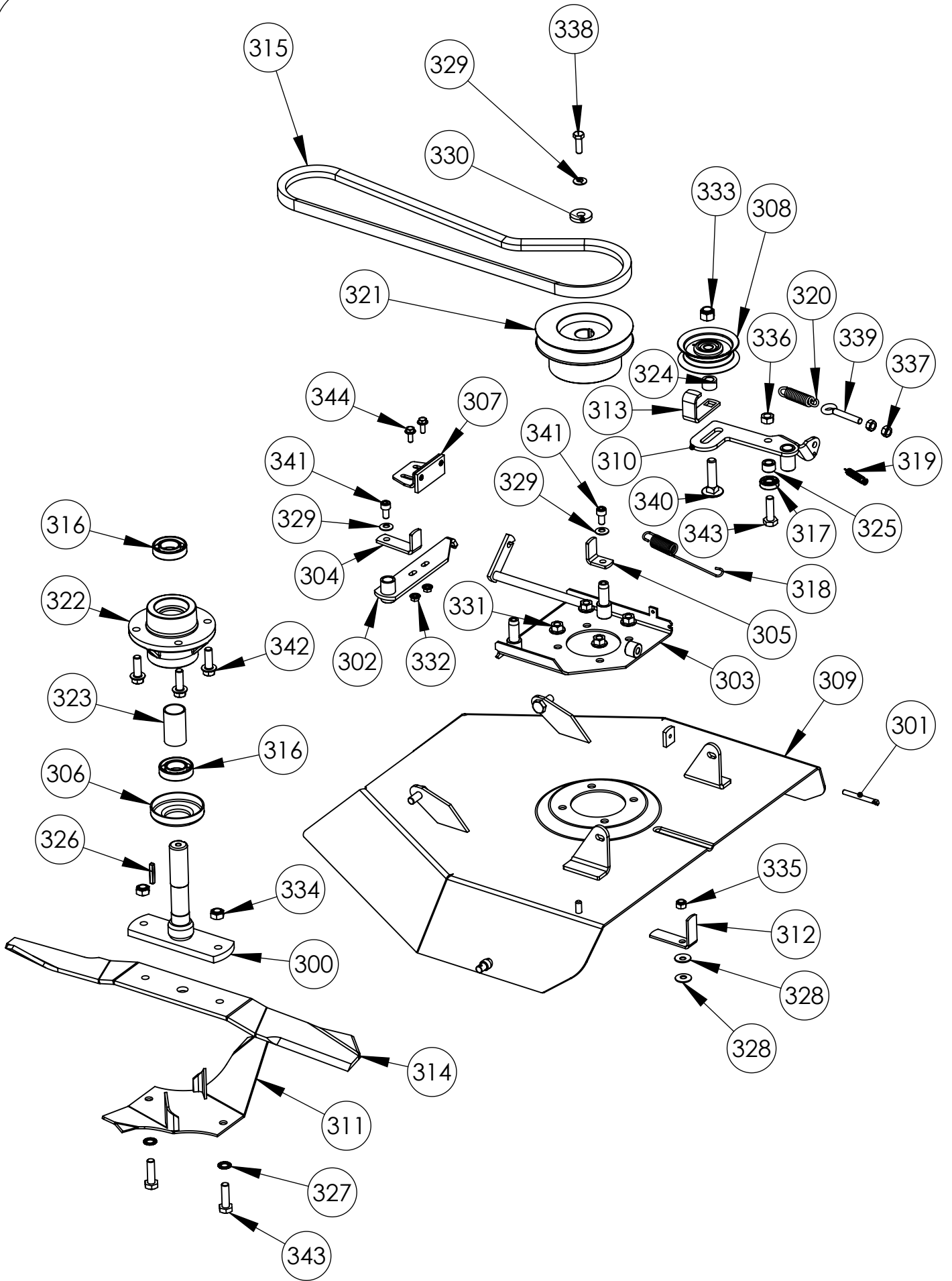
Rep N°	Ref.	Désignation	Description	Qté
1	KE02051604	ARRET DE GAINÉ NOIR	BLACK STOP CABLE	1
2	KE02051603	CARTER SUP ARR NOIR	BLACK BACK UPPER HOUSING	1
3	KE02051601	CARTER DE CHAINE PLIE	CHAIN HOUSING	1
4	KE02030208	PLAQUE REGLAGE MANCHERON ZN	HANDLEBAR BASE UPSIDE	1
5	KE02030207	PLAQUE DE SERRAGE MANCHERON INFERIEUR ZN	HANDLEBAR BASE DOWNSIDE	1
6	KD02043603	CAPOT AVT BLEU	BLUE FRONT CARTER	1
6	KD02042603	CAPOT AVT ORANGE	ORANGE FRONT CARTER	1
6	KD02030603	CAPOT AVT ROUGE	RED FRONT CARTER	1
7	KD02041601	CARTER ARR INF NOIR	BLACK BACK LOWER HOUSING	1
8	KD02040202	FIXATION BAVETTE	FLAP FIXATION	1
9	KD02040201	LEVIER RELEVAGE HAUTEUR SOUDE ZN	WORK LEVEL SELECTION TOOL	1
10	KD02031104	TRAIN AVANT GRIS	FRONT WHEEL SUPPORT	1
11	KD02031103	VOLET GRIS	GREY SHUTTER	1
12	KD02030203	CHAPE DE ROUE GAUCHE	LEFT AXLE FRONT WHEEL	1
13	KD02030202	CHAPE DE ROUE DROITE	RIGHT AXLE FRONT WHEEL	1
14	KD02010210	PLAT REGLAGE HAUTEUR ZN	ADJUST LEVEL PLATE	2
15	KD02010203	PLAT FIXATION BAVETTE	FLAP FIXATION PLATE	1
16	K503000023-	AUTOCOLLANT HAUTEUR DE COUPE	STICKER "WORK LEVEL"	1
17	K503000015-	AUTOCOLLANT LIRE LA NOTICE	STICKER " READ THE MANUAL BEFORE USE"	1
18	K503000003-	AUTOCOLLANT DISTANCE DE SECURITE	STICKER "SECURITY DISTANCE"	1
19	K503000002-	AUTOCOLLANT DANGER SECTIONNEMENT	STICKER "CAUTION : CUTTING PARTS"	1
20	K342000003	BAVETTE ARRIERE	BACK FLAP	1
21	K341000021	BOUCHON TUBE DIAM 25	PLASTIC CAP	2
22	K341000012	EMBOUT PLASTIQUE DIAMETRE 9 x 50	END PIECE LENGTH : 50	1
23	K341000004	BOULE PLASTIQUE DIAM 8	END PIECE Ø 8	1
24	K341000002	BOULE PLASTIQUE NOIR DIAM 8	END PIECE Ø 8	1
25	K309000025	ROUE GAUCHE DE 400	LEFT BACK WHEEL	1
26	K309000020	ROUE DROITE DE 400	RIGHT BACK WHEEL	1
27	K309000008	ROUE DE 200	FRONT WHEEL	2
28	K307010006	POIGNEE DEBRAYABLE M10	HANDLE FOR HANDLEBAR LEVEL SELECTION	1
29	K306030045	COURROIE A39	V-BELT A39	1
30	K305020003	RESSORT DE COMPRESSION	COMPRESSION SPRING	2
31	K305010005	RESSORT DE TRACTION	TRACTION SPRING	1
32	K302020017	ENTRETOISE ARTICULATION	ROUND SPACER	2
33	K302010023	AXE EPAULE INDEXAGE MANCHERON	INDEX AXLE	1
34	K302010012	AXE DE POSITIONNEMENT	POSITION AXLE	1
35	K302000005	BUTEE D'ENTRAINEMENT DE ROUE	3/4 TURN NUT	2
36	K302000001	RONDELLE PROTECTION AXE ROUE AVANT	PROTECT WASHER	4
37	K301100002	GOUPILLE V FENDU 3.2 x 20	PIN	3
38	K301060001	COLLIER PLASTIQUE	COLLAR	3
39	K301050001	CLIPS DE 8 x 40	CIRCLIPS 8 X 40	2
40	K301000005	PASSE FIL	WIRE PROTECT	1
41	K300440801	RONDELLE AZ 8	WASHER AZ 8	4
42	K300431002	RONDELLE CONTACT LARGE DE 10	WASHER D 10	1
43	K300431001	RONDELLE CONTACT M 10	WASHER M10	4
44	K300430801	RONDELLE CONTACT M8	WASHER M8	2
45	K300401101	RONDELLE PLATE 20 x 10 x 1 ZN	PLATE WASHER 20 x 10 x 1	6
46	K300260801	ECROU H M8 EMB CR	NUT H M8 NOTCHED SHOULDER	1
47	K300260601	ECROU H M6 Z EMB CR	NUT H M6 Z NOTCHED SHOULDER	3
48	K300231201	ECROU MK 12 (crénelé)	NUT MK 12	1
49	K300230601	ECROU RAPID M 6 C 4806B	NUT RAPID M6 C 4806B	2
50	K300211001	ECROU FREIN M10	BLOCKING NUT M10	4
51	K300210601	ECROU FREIN H M6	BLOCKING NUT M6	1
52	K300201001	ECROU HU M10	NUT HU M10	2
53	K300080607	BOULON TRCC 6 x 55	SCREW TRCC 6 X 55	1
54	K300011001	VIS TH 10 x 55 ZN	SCREW H 10 X 55	2
55	K300010815	VIS H M8 x 20 ZN	SCREW HM 8 x 20	2
56	K300010814	VIS H M8 x 16	SCREW H M8 X 16	4
57	K300010802	VIS EMB CR 8 x 20	SCREW H NOTCHED SHOULDER 8 X 20	4
58	K300010801	VIS H EMB CR 8 x 25	SCREW H NOTCHED SHOULDER 8 X 25	1
59	K300010617	VIS H 6 x 10 EMB CR	SCREW H 6 X 10 NOTCHED SHOULDER	13
60	K300010601	VIS H 6 x 16 EMB CR	SCREW H NOTCHED SHOULDER 6 X 16	6
61	K003000307	GOUPILLE 8 x 31	PIN 8 x 31	2



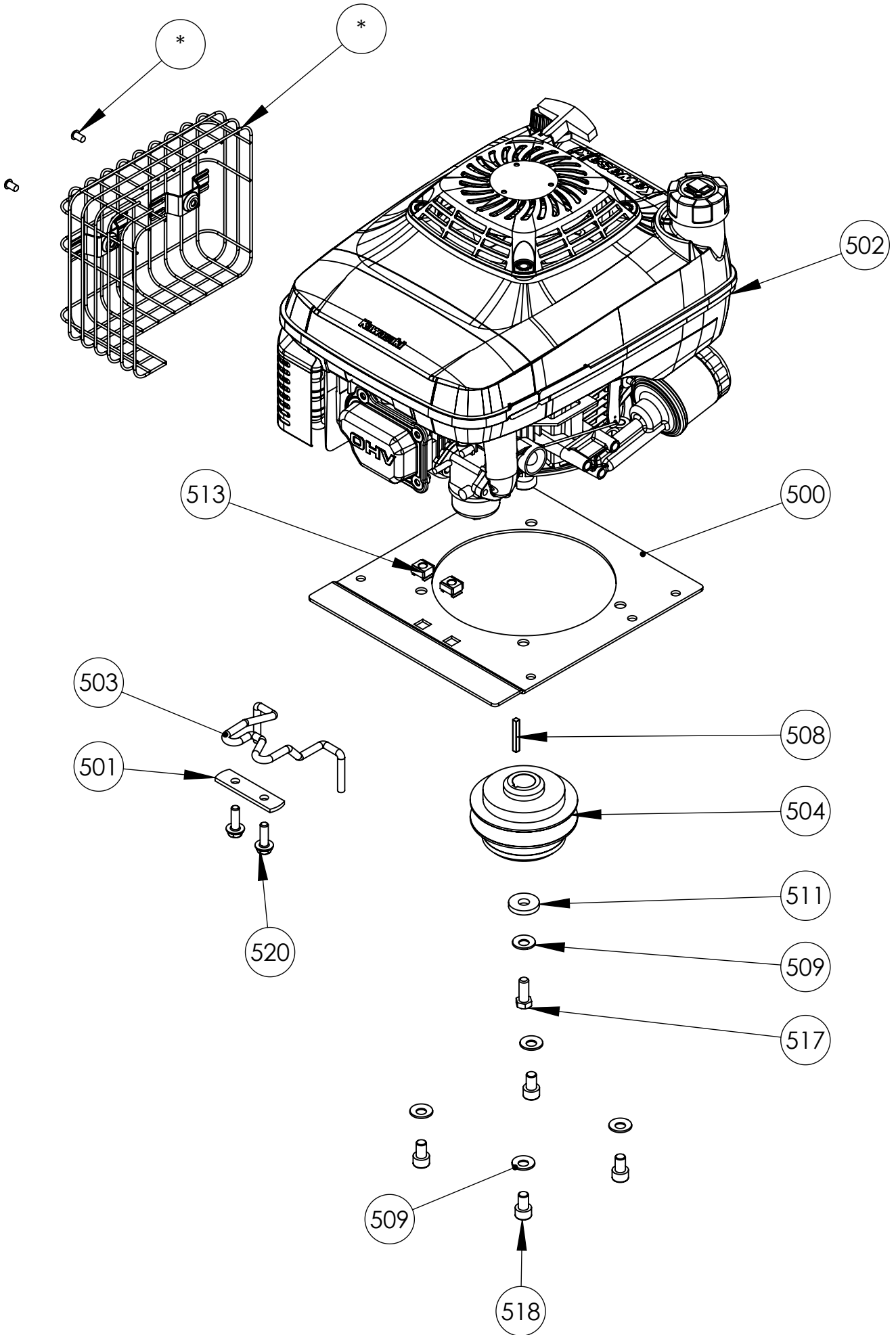
Rep N°	Ref.	Désignation	Description	Qté
100	KF02031103	MANCHERON GRIS CLAIR	GREY HANDLEBAR	1
101	K503000005-	AUTOCOLLANT ACCELERATEUR STOP + STARTER	STICKER "SPEED VARIATION" WITH STARTER	1
102	K308040012	CABLE COMMANDE DES GAZ	THROTTLE CABLE	1
103	K308020007	CABLE EMBRAYAGE DE LAME	BLADE CLUTCH CABLE	1
104	K308010040	CABLE ASS K308010038 + LEVIER	CABLE K308010038 + LEVER	1
105	K308010039	CABLE EMBRAYAGE ARRIERE V2	Rear clutch cable V2	1
106	K307020010	POIGNEE GAZ	THROTTLE LEVER	1
107	K307020007	ARRET DE GAINÉ	STOP TUBE	1
108	K307020005	POIGNEE CAOUTCHOUC DIAM 25	GRIP	2
109	K307010038	LEVIER SIMPLE COURSE DE 30 MAR	LEVER PULL 30	1
110	K307010014	LEVIER AVEC SECURITE	BLADE CLUTCH LEVER	1
111	K300210601	ECROU FREIN H M6	BLOCKING NUT M6	1
112	K300080603	BOULON TRCC 6 x 45	SCREW TRCC 6 X 45	1



Rep N°	Ref.	Désignation	Description	Qté	
200	KF02011604	SUPPORT MANCHERON NOIR	BLACK HANDLEBAR BASE	1	
200	KE02051605	SUPPORT MANCHERON KAWA NOIR	BLACK HANDLEBAR BASE	1	KAWA
201	KF02010205	ARBRE - PIGNON TRANSMISSION	SHAFT	1	
202	KE01010001	PALIER AVEC RLT. DE 25 ASSEMBLE	BEARING Ø 25	2	
203	KD02042602	FLANC GAUCHE ORANGE	ORANGE LEFT CARTER	1	
203	KD02043602	FLANC GAUCHE BLEU	BLUE LEFT CARTER	1	
203	KD02040602	FLANC GAUCHE ROUGE	RED LEFT CARTER	1	
204	KD02040601	FLANC DROIT ROUGE	RED RIGHT CARTER	1	
204	KD02043601	FLANC DROIT BLEU	BLUE RIGHT CARTER	1	
204	KD02042601	FLANC DROIT ORANGE	ORANGE RIGHT CARTER	1	
205	KD02011602	CREMAILLERE NOIR	BLACK CUT ADJUST LEVEL RACK	1	
206	K308010027	CABLE VARIATION VITESSE	Bent variation speed cable length 1070	1	
207	K307020015	MANETTE VAR. VITESSE x	Locking throttle LGK07FK40	1	
208	K306040024	BOITIER MODULAIRE MAV/MAR	MODULAR TRANSMISSION	1	
209	K306020018	CHAINE ISO 06B-1 PAS 12.7 64 maillons	Chain ISO 06B-1 pitch 12.7 64 chain links	1	
210	K304000450	PLATINE CABLE TRANS MOD	Cable plate	1	
211	K302010036	AXE ROTATION COUPOLE	CARTER ROTATION AXLE	1	
212	K301070007	CIRCLIPS EXTERIEUR DE 25	External retaining ring 25	2	
213	K301000005	PASSE FIL	WIRE PROTECT	1	
214	K300260801	ECROU H M8 EMB CR	NUT H M8 NOTCHED SHOULDER	12	
215	K300230802	ECROU ' RAPID' DE 8 C4808 B	NUT RAPID M8 C 4808B	6	
216	K300230601	ECROU RAPID M 6 C 4806B	NUT RAPID M6 C 4806B	15	
217	K300020502	VIS CHC 5 x 16 ZN	SCREW CHC 5 x 16 ZN	1	
218	K300010830	VIS H 8 x 16 EMB CR	SCREW H 8 x 16 NOTCHED SHOULDER	6	
219	K300010802	VIS EMB CR 8 x 20	SCREW H NOTCHED SHOULDER 8 X 20	10	

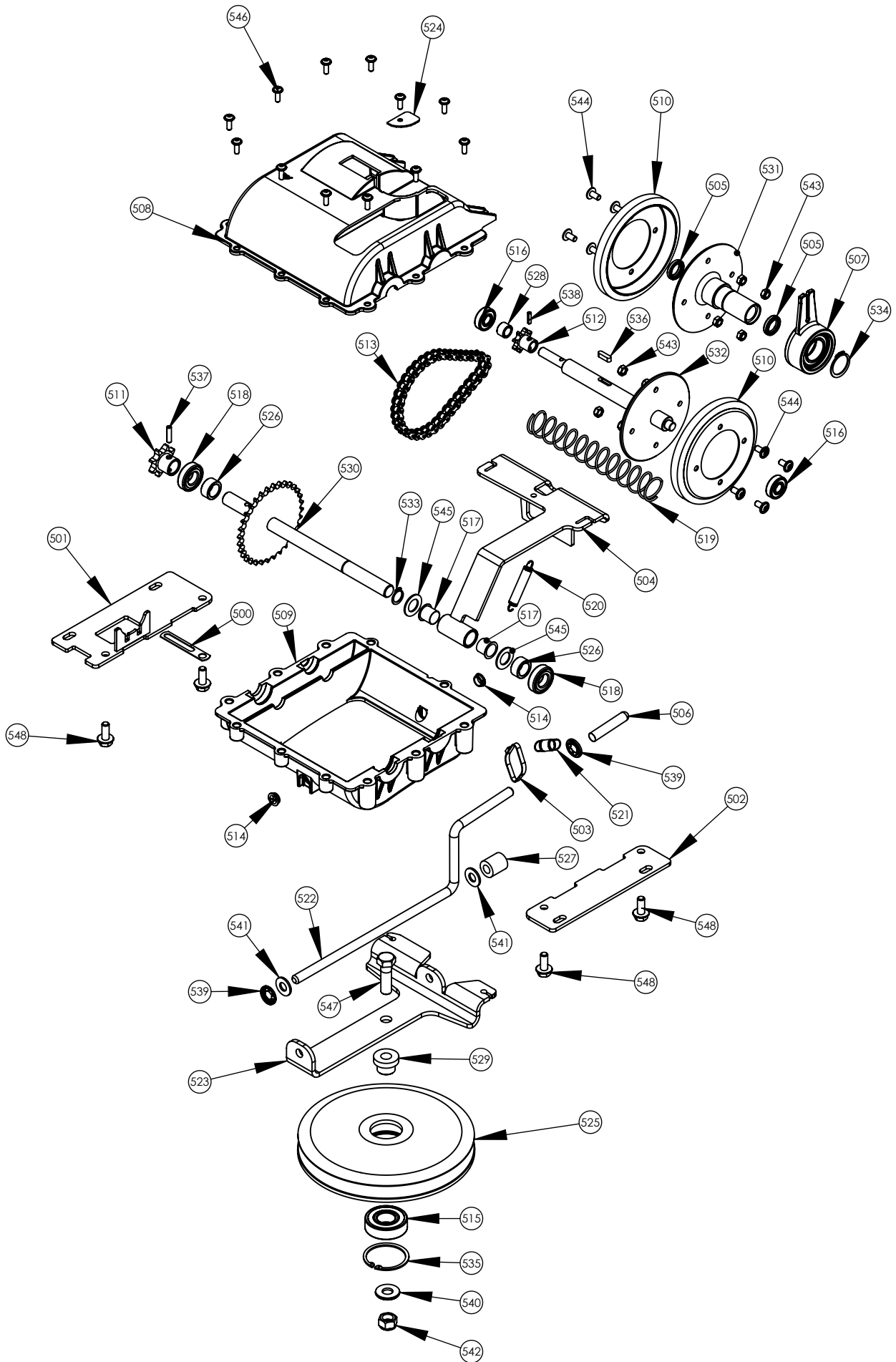


Rep N°	Ref.	Désignation	Description	Qté
300	KE04020025	ARBRE PORTE LAME OR AP CLAVETE	BLADE SHAFT	1
301	KE04010018	VIS DE BIELETTE EMBRAY.BOITIER	CLUTCH SCREW	1
302	KE02020206	LEVIER PORTE FREIN ZN	BRAKE LEVER	1
303	KE02020204	PLATINE EMBRAYAGE FREIN ZN	SUPPORT BRAKE & CLUTCH	1
304	KE02020203	PATTE GUIDAGE EMBRAYAGE ZN	CLUTCH ALIGNER	1
305	KE02020202	PATTE DE GUIDAGE EMBR GAUCHE ZN	LEFT CLUTCH ALIGNER	1
306	KE02010208	RONDELLE PROTECTION MOYEU ZN	PROTECTION WASHER	1
307	KE01020014	GARNITURE FREIN RIVETEE	BRAKE	1
308	KD03010001	GALET A GORGE ARRONDIE	RUNNER	1
309	KD02041101	COUPOLE GRISE	GREY BLADE GUARD	1
310	KD02020203	LEVIER EMBRAYAGE LAME ZN	CLUTCH LEVER	1
311	KD02011601	EJECTEUR NOIR	VENTILATING PLATE	1
312	KD02010212	PLAT VERROU VOLET ZN	FRONT DEFLECTOR LOCKER PLATE	1
313	KD02010209	PLAT GALET DE TENSION DE COURROIE ZN	RUNNER PLATE	1
314	K320020007	LAME DE 600	BLADE 600 MM	1
315	K306030023	COURROIE DE LAME	BLADE V-BELT	1
316	K306010016	ROULEMENT 6005 2 RS 25 x 47 x 12	BEARING 6005 2 RS	2
317	K306010014	ROULEMENT 6000 2 RS	BEARING 6000 2 RS	1
318	K305010010	RESSORT FREIN DE LAME	SPRING FOR BRAKE	1
319	K305010009	RESSORT DE RAPPEL	SPRING	1
320	K305010008	RESSORT DE TRACTION	SPRING	1
321	K302030086	POULIE FREIN USINEE CLAVETEE DIAM 135	PULLEY Ø 135	1
322	K302030012	PALIER DE LAME	BLADE BEARING	1
323	K302020085	TUBE ENTRETOISE PALIER LAME	TUBE SPACER	1
324	K302020049	ENTRETOISE GALET TENDEUR	RUNNER SPACER	1
325	K302020028	ENTRETOISE	SPACER	1
326	K301040014	CLAVETTE 5 x 5 x 30	KEY 5 X 5 X 30	1
327	K300441001	RONDELLE EVENTAIL AZ 10 ZN	WASHER AZ 10 ZN	2
328	K300430802	RONDELLE CONTACT LARGE M8	LARGE WASHER M8	2
329	K300430801	RONDELLE CONTACT M8	WASHER M8	3
330	K300401103	RONDELLE PLATE 30 x 11 x 5 ZN	WASHER 30 X 11 X 5 ZN	1
331	K300261001	ECROU H M10 EMB CR	NUT H M10 NOTCHED SHOULDER	4
332	K300260601	ECROU H M6 Z EMB CR	NUT H M6 Z NOTCHED SHOULDER	2
333	K300211201	ECROU FREIN M12	NUT BRAKE M10	1
334	K300211001	ECROU FREIN M10	BLOCKING NUT M10	2
335	K300210801	ECROU FREIN H M8	BLOCKING NUT M8	1
336	K300201001	ECROU HU M10	NUT HU M10	1
337	K300200801	ECROU HU M8	NUT HU M8	2
338	K300090804	VIS A GAUCHE 8 x 25	SCREW Z 8 X 25	1
339	K300090801	PITON A OEIL	SCREW	1
340	K300081201	VIS TRCC 12 x 50	SCREW TRCC 12 x 50	1
341	K300020801	VIS CHC 8 x 16	sCREW CHC 8 X 16	2
342	K300011026	VIS H 10 x 30 EMB CR	Screw HM 8x20 Z Emb cr	4
343	K300011010	VIS HM 10 x 35	SCREW HM 10 x 35	3
344	K300010601	VIS H 6 x 16 EMB CR	SCREW H NOTCHED SHOULDER 6 X 16	2



Rep N°	Ref.	Désignation	Description	FJ 180/ Qté	GXV 340/ Qté
500	KF02021601	SUPPORT MOTEUR NOIR	BLACK ENGINE SUPPORT	-	1
500	KF02011608	SUPPORT MOTEUR KAWA NOIR	BLACK KAWA MOTOR SUPPORT	1	-
501	KE02020211	PLAT FIXATION PLAQUE DE DEB FIL LASER	BELT GUIDE PLAT FIXATION	1	1
502	K330050101	MOTEUR KAWASAKI FJ180 V*	KAWASAKI FJ180 V ENGINE*	1	-
502	K330010107	MOTEUR HONDA GXV340 11 CV VERTICAL*	HONDA GXV 340 ENGINE*	-	1
503	K305030007	PLAQUE DE DEBRAYAGE FIL	BELT GUIDE	1	-
503	K305030005	PLAQUE DE DEBRAYAGE	CLUTCH PLATE	-	1
504	K302030093	POULIE MOTEUR	MOTOR PULLEY	1	-
505	K302020117	ENTRETOISE 25.4x33.5x9.5	SPACER 25.4x33.5x9.5	-	1
506	K302020002	RONDELLE PLATE	PLATE WASHER	-	1
507	K301040004	CLAVETTE BOUT DROIT DE 6.35 x 6.35 x 45	KEY RIGHT END 6.35 X 6.35 X 45	-	1
508	K301040002	CLAVETTE B.DROIT 4.76 x 4.76 x 37	KEY 4.76 X 4.76 X 37	1	-
509	K300431001	RONDELLE CONTACT M 10	WASHER M10	5	-
510	K300430801	RONDELLE CONTACT M8	WASHER M8	-	2
511	K300401103	RONDELLE PLATE 30 x 11 x 5 ZN	WASHER 30 X 11 X 5 ZN	1	-
512	K300260801	ECROU H M8 EMB CR	NUT H M8 NOTCHED SHOULDER	-	2
513	K300230802	ECROU ' RAPID' DE 8 C4808 B	NUT RAPID M8 C 4808B	2	2
514	K300070601	VIS TOLE TCL POZ 6.3 x 13 ZN	SCREW TCL POZ 6.3 X 13 ZN	-	2
515	K300060701	VIS TH 7/16 8.8 UNF 1	SCREW TH 7/16 8.8 UNF 1	-	1
516	K300060503	VIS TH 5/16 UNF 3/4	SCREW TH 5/16 UNF 3/4	-	2
517	K300060302	VIS TH3/8 UNF1 ZING	SCREW TH 3/8 UNF1 ZN	1	-
518	K300021004	VIS CHC 10 x 16	SCREW CHC 10 X 16	4	-
519	K300010803	VIS H EMB CR 8 x 40	SCREW H NOTCHED SHOULDER 8 X 40	-	2
520	K300010801	VIS H EMB CR 8 x 25	SCREW H NOTCHED SHOULDER 8 X 25	2	2
521	0330012011	GRILLE ECHAPPEMENT GXV340	EXHAUST GRILL GXV340	-	1
522	K302030093	POULIE MOTEUR	MOTOR PULLEY	-	1

*Le service après vente : s'adresser au réseau motoriste concerné
For the engine's spare parts, please contact the motor's retailers network



Rep N°	Ref	Désignation	Description	Qté
500	KM02010203	SERRE CABLE ZN	CABLE LOCK	1
501	KM02010202	SUPPORT BOITE DROIT KM ZN	RIGHT SUPPORT TRANS MOD	1
502	KM02010201	SUPPORT GAUCHE TRANS. MOD ZN	LEFT SUPPORT TRANS MOD ZN	1
503	K301060002	COLLIER PLASTIQUE NOIR	TIE-CABLE	1
504	4002000203	FREIN TRANS MOD V2	Modular transmission brake	1
505	0343020004	JOINT A LEVRE 17X23X4/5 NBR	Lip seal 17x23x4/5 NBR	2
506	0341000024	EMBOUT TYPE A -D9 LG 50 NOIR	End piece length: 50	1
507	0340030043	FOURCHETTE	Modular transmission	1
508	0340030042	CARTER SUPERIEUR	MODULAR TRANSMISSION	1
509	0340030041	CARTER INFERIEUR	Modular transmission	1
510	0306060030	RONDELLE DE FRICTION SURMOULEE	OVERMOLDED FRICTION WASHER	2
511	0306050036	PIGNON 8 DENTS PAS 12.7	SPROCKET 8 TEETH PITCH 12.7	1
512	0306050035	PIGNON 8 DENTS PAS 9.525	SPROCKET 8 TEETH PITCH 9.525	1
513	0306020024	CHAINE ISO 06B-1 PAS 9.525	CHAIN ISO 06B-1 PITCH 9.525	1
514	0306010036	BAGUE IGUS MCM 10-03	IGUS RING MCM 10-03	2
515	0306010035	ROULEMENT 6204 DDU EMQV1	6204 DDU EMQV1 Ball-Bearing	1
516	0306010034	ROULEMENT 6000 2RS 10x26x8	6000 2RS BALL BEARING 10X26X8	2
517	0306010033	Bague IGUS JFM-1517-12	IGUS bearing ring JFM-15-17-12	2
518	0306010005	ROULEMENT 6002 2RS	BEARING BALL 6002 2RS	2
519	0305020014	RESSORT VARIATION VITESSE	LOCKING SPRING	1
520	0305010040	RESSORT DE RAPPEL	SPRING	1
521	0305010039	RESSORT RAPPEL	SPRING	1
522	0305000008	MANETTE FREIN TRANS MOD	Brake handlever	1
523	0304000298	BALANCIER TRANS MOD	WALKING BEAM MOD TRANS	1
524	0304000276	PLATINE CABLE TRANS MOD	CABLE PLATE	1
525	0303010002	POULIE OSCILLANTE TRANS MOD	OSCILLATING PULLEY	1
526	0302020099	ENTRETOISE 22x15x10.6	SPACER 22x15x10.6	2
527	0302020098	ENTRETOISE Ø10.2XØ20X23	SPACER Ø10.2xØ20x23	1
528	0302020097	ENTRETOISE 15x10.2x10	SPACER 15x10.2x10	1
529	0302010104	AXE DE POULIE OSCILLANTE	Oscillating pulley axle	1
530	0302010102	ARBRE SORTIE TRANS MOD	Output shaft	1
531	0302010101	MOYEU MAV TRANS MOD	FORWARD HUB	1
532	0302010100	ARBRE VARIATION TRANS MOD	Speed variation shaft	1
533	0301070023	CIRCLIPS EXT. DE 15	EXTERNAL RETAINING RING 15	1
534	0301070011	CIRCLIPS EXT. DE 25	EXTERNAL RETATING RING 25	1
535	0301070006	CIRCLIP INTERIEUR 47 DIN472-47	INTERNAL RETAINING RING	1
536	0301040022	CLAVETTE 5x5x18 BTS ROND	KEY 5x5x18 DIN 6885 A	1
537	0301020015	GOUPILLE HBK 5X20 ISO 8748ST	PIN Ø5x20	1
538	0301020011	GOUPILLE HBK 4x14 ISO 8748ST	PIN Ø4x16 HBK	1
539	0300461001	RONDELLE STARLOCK Ø10	Starlock washer Ø10	2
540	0300401201	RONDELLE PLATE M 12X27X2.5 Z	PLATE WASHER M 12X27X2.5 Z	1
541	0300401002	RONDELLE PLATE M 10X22X2 Z	PLATE WASHER M 10X22X2 Z	2
542	0300211201	ECROU FREIN M 12 Z DIN 985/8	BLOCKING NUT M 12 Z	1
543	0300210602	ECROU FREIN M 6 Z DIN 985-8	BLOCKING NUT M 6 Z	8
544	0300110606	VIS-WN7380/2-010.9-TX30-M6X12	Screw Torx M6x12	8
545	0300081501	RONDELLE PLATE 26x15.2x1.5 Z	Washer 26x15.2x1.5 Z	2
546	0300080505	VIS MX TCBL TORX M5X16 Z	SCREW TORX M5x16	12
547	0300011203	VIS H 12 X 40 Z DIN 933/8.8	Screw HM 12x40z	1
548	0300010816	VIS H 8x20 Z EMB CR	SCREW H M8X20 Z	4