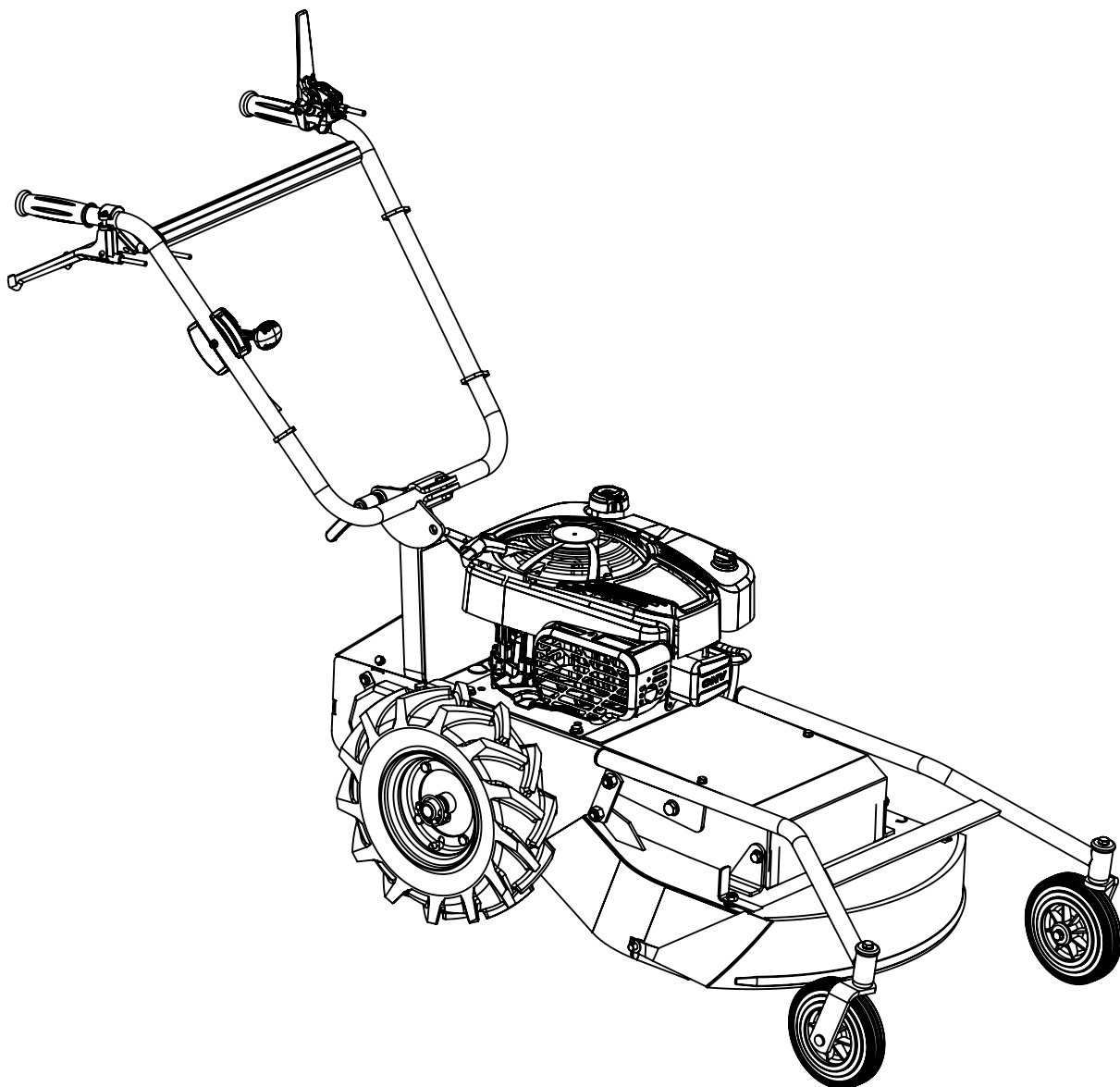
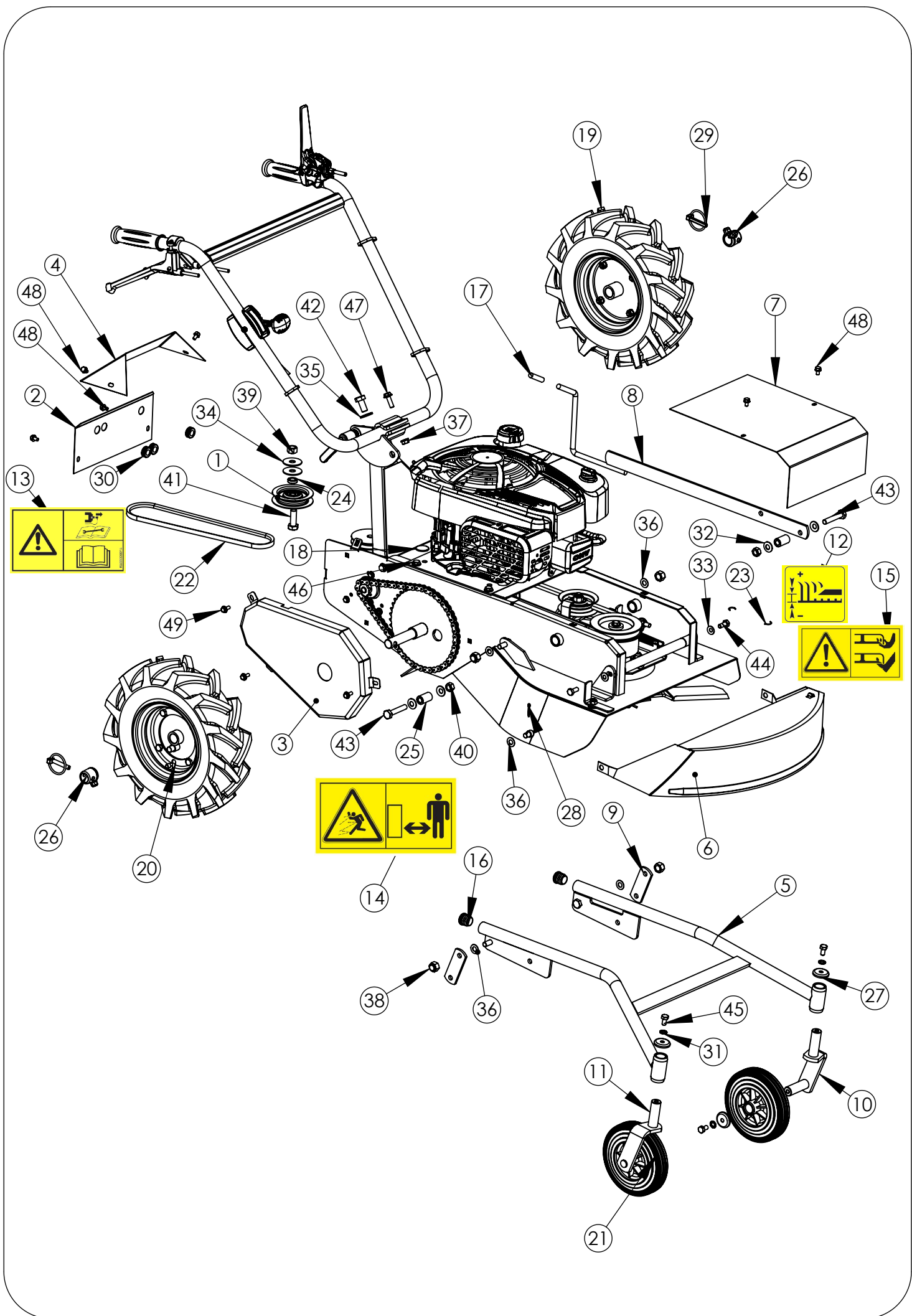


# Pièces de rechange Spare parts list

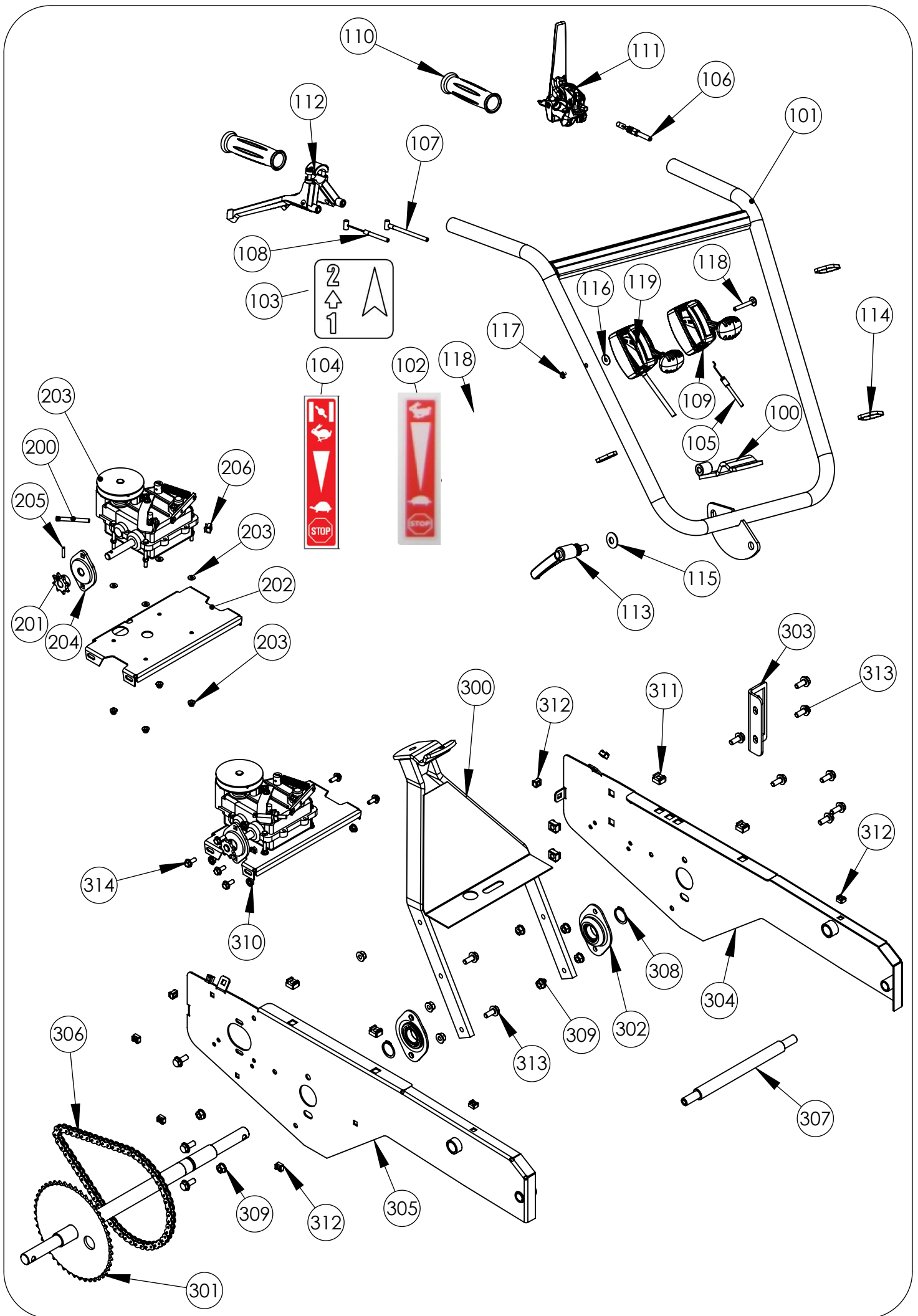
**KD00\*\*02\*\***



***FAUCHEUSE BROYEUSE  
BRUSH CUTTER***



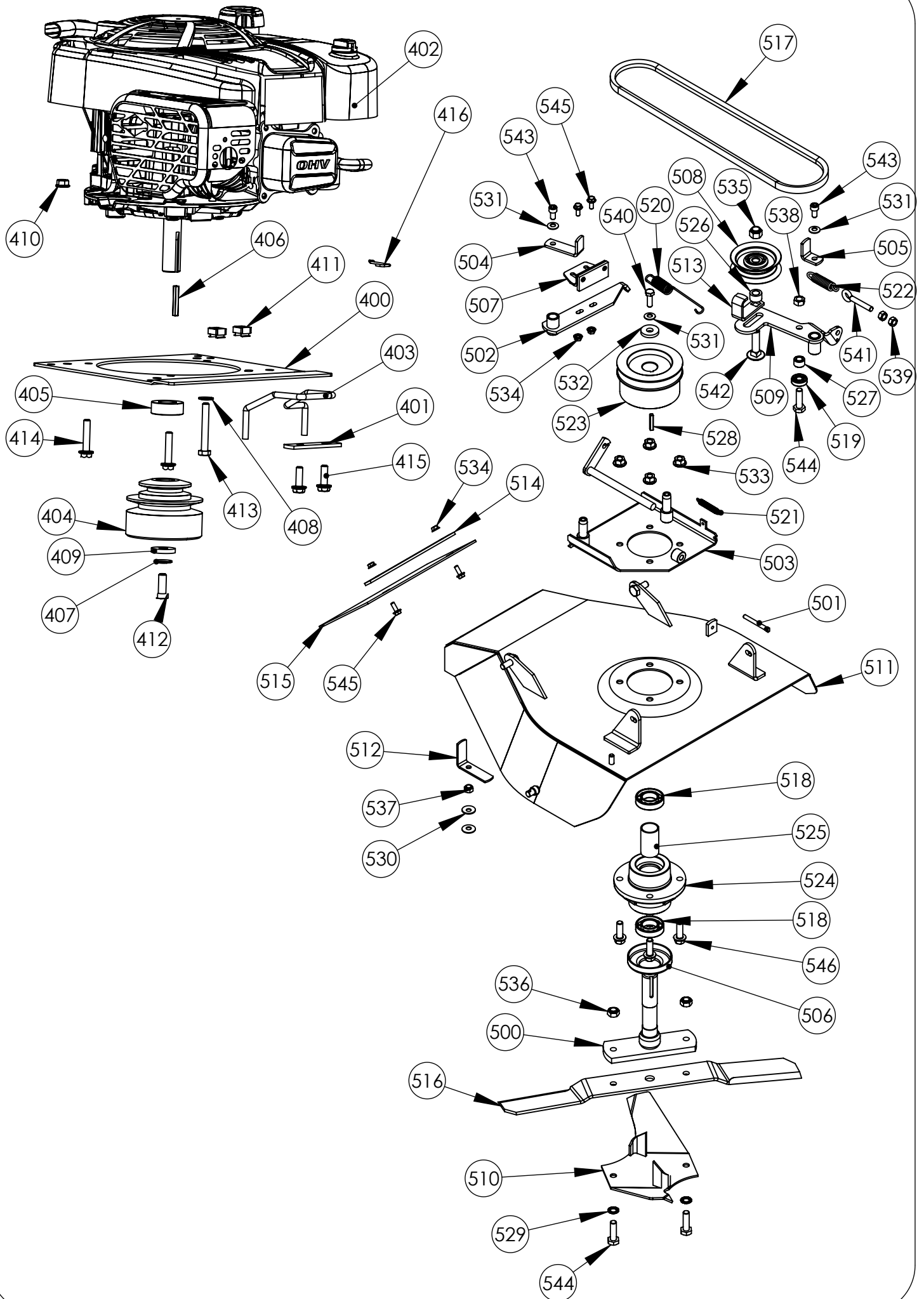
Rep N°	Ref.	Désignation	Description	Qté
1	KE03010003	GALET GORGE PLATE 19 mm	RUNNER 19 mm	1
2	KD02021602	TOLE DE PROTECTION ARRIERE NOIR	BLACK REAR CARTER	1
3	KD02011606	CARTER DE CHAINE NOIR	BLACK CHAIN CARTER	1
4	KD02011604	CAPOT SUP ARR NOIR	BLACK HIGH REAR CARTER	1
5	KD02011103	TRAIN AVANT GRIS ALU	GREY ALU FRONT WHEEL SUPPORT	1
6	KD02011101	VOLET COUPOLE GRIS RAL 7021	GREY RAL 7021 FRONT DEFLECTOR	1
7	KD02010603	CAPOT AVANT ROUGE	RED FRONT CARTER	1
8	KD02010211	LEVIER RELEVAGE HAUTEUR ZN	ADJUST LEVEL LEVER	1
9	KD02010210	PLAT REGLAGE HAUTEUR ZN	ADJUST LEVEL PLATE	2
10	KC02010205	CHAPE DE ROUE AVT GAUCHE ZN (diam 160)	LEFT SUPPORT FRONT WHEEL	1
11	KC02010204	CHAPE DE ROUE AVANT DROIT ZN (diam 160)	RIGHT SUPPORT FRONT WHEEL	1
12	K503000023-	AUTOCOLLANT HAUTEUR DE COUPE	STICKER "WORK LEVEL"	1
13	K503000015-	AUTOCOLLANT LIRE LA NOTICE	STICKER " READ THE MANUAL BEFORE USE"	1
14	K503000003-	AUTOCOLLANT DISTANCE DE SECURITE	STICKER "SECURITY DISTANCE"	1
15	K503000002-	AUTOCOLLANT DANGER SECTIONNEMENT	STICKER "CAUTION : CUTTING PARTS"	1
16	K341000021	BOUCHON TUBE DIAM 25	PLASTIC CAP	2
17	K341000012	EMBOUT PLASTIQUE DIAMETRE 9 x 50	END PIECE LENGTH : 50	1
18	K341000005	CAPSULE PLASTIQUE	PLASTIC CAP	1
19	K309000024	ROUE DE 350 GAUCHE	LEFT BACK WHEEL	1
20	K309000019	ROUE DE 350 DROITE	RIGHT BACK WHEEL	1
21	K309000010	ROUE Ø 160	FRONT WHEEL	2
22	K306030007	COURROIE DE 10 X 6 MBL Z 29.5	V-BELT 10 X 6 MBL Z 29.5	1
23	K305010005	RESSORT DE TRACTION	TRACTION SPRING	1
24	K302020023	ENTRETOISE 20 x 12.2 x 5.5 ZN	SPACER 20 x 12.2 x 5.5 ZN	1
25	K302020017	ENTRETOISE ARTICULATION	ROUND SPACER	2
26	K302000005	BUTEE D'ENTRAINEMENT DE ROUE	3/4 TURN NUT	2
27	K302000001	RONDELLE PROTECTION AXE ROUE AVANT	PROTECT WASHER	4
28	K301100002	GOUPILLE V FENDU 3.2 x 20	PIN	2
29	K301050001	CLIPS DE 8 x 40	CIRCLIPS 8 X 40	2
30	K301000005	PASSE FIL	WIRE PROTECT	3
31	K300440801	RONDELLE AZ 8	WASHER AZ 8	4
32	K300431001	RONDELLE CONTACT M 10	WASHER M10	4
33	K300430801	RONDELLE CONTACT M8	WASHER M8	2
34	K300401204	RONDELLE PLATE 40 x12.5 x 2.5 ZN	PLATE WASHER 40 x 12.5 x 2.5 ZN	2
35	K300401201	RONDELLE PLATE 27 x 12.5 x 2.5	WASHER 27 x 12.5 x 2.5	1
36	K300401101	RONDELLE PLATE 20 x 10 x 1 ZN	PLATE WASHER 20 x 10 x 1	6
37	K300260801	ECROU H M8 EMB CR	NUT H M8 NOTCHED SHOULDER	1
38	K300211201	ECROU FREIN M12	NUT BRAKE M10	4
39	K300201201	ECROU HU M12 ZN	NUT HU M12 ZN	1
40	K300201001	ECROU HU M10	NUT HU M10	2
41	K300011205	VIS TH 12 x 35 ZN	SCREW TH 12 X 35 ZN	1
42	K300011204	VIS TH 12 x 25 ZN	SCREW TH 12 X 25 ZN	1
43	K300011001	VIS TH 10 x 55 ZN	SCREW H 10 X 55	2
44	K300010815	VIS H M8 x 20 ZN	SCREW HM 8 x 20	2
45	K300010814	VIS H M8 x 16	SCREW H M8 X 16	4
46	K300010802	VIS EMB CR 8 x 20	SCREW H NOTCHED SHOULDER 8 X 20	4
47	K300010801	VIS H EMB CR 8 x 25	SCREW H NOTCHED SHOULDER 8 X 25	1
48	K300010617	VIS H 6 x 10 EMB CR	SCREW H 6 X 10 NOTCHED SHOULDER	6
49	K300010601	VIS H 6 x 16 EMB CR	SCREW H NOTCHED SHOULDER 6 X 16	3



Rep N°	Ref.	Désignation	Description	Qté	
100	KE02011617	PLAQUE SERRAGE MANCHERON	HANDLEBAR CLAMP PLATE	1	
101	KE02011109	MANCHERON GRIS ALU	GREY ALU HANDLEBAR	1	
102	K503000031-	AUTOCOLLANT ACCELERATEUR STOP SANS STARTER	STICKER "ENGINE SPEED VARIATION" WITHOUT STARTER	1	BS
103	K503000026	ETIQUETTE AVANCE + 2 ème VITESSE	STICKER "FORWARD SPEED AND 2nd SPEED"	1	
104	K503000005-	AUTOCOLLANT ACCELERATEUR STOP + STARTER	STICKER "SPEED VARIATION" WITH STARTER	1	HONDA
105	K308040011	CABLE COMMANDE DES GAZ	THROTTLE CABLE	1	GSV190-BS850
106	K308020011	CABLE EMBR DE LAME	BLADE CLUTCH CABLE	1	
107	K308010019	CABLE COMMANDE 2ème VITESSE	2nd VITESSE CABLE	1	
108	K308010011	CABLE EMBR AVANCE	FORWARD SPEED CLUTCH CABLE	1	
109	K307020010	POIGNEE GAZ	THROTTLE LEVER	1	GSV190-BS850
110	K307020005	POIGNEE CAOUTCHOUC DIAM 25	GRIP	2	
111	K307010014	LEVIER AVEC SECURITE	BLADE CLUTCH LEVER	1	
112	K307010012	LEVIER DOUBLE ENCLIQUETAGE AUTO SANS TARAUDAGE	DOUBLE LEVER	1	
113	K307010006	POIGNEE DEBRAYABLE M10	HANDLE FOR HANDLEBAR LEVEL SELECTION	1	
114	K301060001	COLLIER PLASTIQUE	COLLAR	3	
115	K300431002	RONDELLE CONTACT LARGE DE 10	WASHER D 10	1	
116	K300400601	RONDELLE PLATE 18 x 6.25 x 1.2 ZN	WASHER 18 X 6.25 X 1.2 ZN	1	
117	K300210601	ECROU FREIN H M6	BLOCKING NUT M6	1	
118	K300080603	BOULON TRCC 6 x 45	SCREW TRCC 6 X 45	1	
119	K308060032	CABLE GAZ + MANETTE LG :1051	THROTTLE LEVER + CABLE	1	GCVX200

Rep N°	Ref.	Désignation	Description	Qté	
200	KE04010018	VIS DE BIELETTE EMBRAY. BOITIER	CLUTCH SCREW	1	
201	KE04010011	PIGNON 8 DENTS	SPROCKET 8 TEETH	1	
202	KD02021601	SUPPORT BOITIER NOIR	BLACK GEARBOX SUPPORT	1	
203	K306040004	BOITIER 2 VITESSES	GEARBOX 2 SPEEDS	1	
204	K306010010	PALIER FLASQUE TOLE DIAM 12	SELF-ALIGNING BEARING UNIT	1	
205	K301090003	GOUPILLE ROULEE 4 x 20	ROLLED COTTER 4 X 20	1	
206	K300230602	ECROU RAPID M6 C 4806 C	NUT RAPID M6 C 4806C	1	

Rep N°	Ref.	Désignation	Description	Qté	
300	KE02011618	SUPPORT MANCHERON NOIR	BLACK HANDLEBAR SUPPORT	1	
301	KE02010207	ARBRE - PIGNON TRANSMISSION	AXLE	1	
302	KE01010001	PALIER AVEC RLT. DE 25 ASSEMBLE	BEARING Ø 25	2	
303	KD02011602	CREMAILLE NOIR	BLACK CUT ADJUST LEVEL RACK	1	
304	KD02010602	FLANC GAUCHE ROUGE	RED LEFT CARTER	1	
305	KD02010601	FLANC DROIT ROUGE	RED RIGHT CARTER	1	
306	K306020005	CHAINE 12.7 56 MAILLONS	CHAIN 12.7 56 LINKS	1	
307	K302010036	AXE ROTATION COUPOLE	CARTER ROTATION AXLE	1	
308	K301070007	CIRCLIPS EXTERIEUR DE 25	External retaining ring 25	2	
309	K300260801	ECROU H M8 EMB CR	NUT H M8 NOTCHED SHOULDER	10	
310	K300260601	ECROU H M6 Z EMB CR	NUT H M6 Z NOTCHED SHOULDER	6	
311	K300230802	ECROU ' RAPID' DE 8 C4808 B	NUT RAPID M8 C 4808B	6	
312	K300230601	ECROU RAPID M 6 C 4806B	NUT RAPID M6 C 4806B	9	
313	K300010802	VIS EMB CR 8 x 20	SCREW H NOTCHED SHOULDER 8 X 20	12	
314	K300010601	VIS H 6 x 16 EMB CR	SCREW H NOTCHED SHOULDER 6 X 16	6	



Rep N°	Ref.	Désignation	Description	Qté	
400	KE02021607	SUPPORT MOTEUR HONDA NOIR	BLACK HONDA ENGINE SUPPORT	1	HONDA
400	KE02021601	SUPPORT MOTEUR B&S NOIR	BLACK B&S ENGINE SUPPORT	1	BS
401	KE02020211	PLAT FIXATION PLAQUE DE DEB FIL LASER	BELT GUIDE PLAT FIXATION	1	
402	K330020108	MOTEUR SANS FREIN BS 850 SERIES*	MOTOR WITHOUT BRAKE BS 850 SERIES*	1	
402	K330010104	MOTEUR HONDA GSV190 SANS FREIN*	ENGINE HONDA GSV190	1	
402	O330011050	HONDA GCVx200 xNOIRx		1	
403	K305030002	PLAQUE DE DEBRAYAGE	CLUTCH PLATE	1	
404	K302030024	POULIE MOTEUR	MOTOR PULLEY	1	
405	K302020031	ENTRETOISE POULIE MOTEUR HONDA	ROUND SPACER FOR ENGINE PULLEY	1	HONDA
406	K301040002	CLAVETTE B.DROIT 4.76 x 4.76 x 37	KEY 4.76 X 4.76 X 37	1	
407	K300431001	RONDELLE CONTACT M 10	WASHER M10	1	
408	K300430801	RONDELLE CONTACT M8	WASHER M8	1	BS
409	K300401103	RONDELLE PLATE 30 x 11 x 5 ZN	WASHER 30 X 11 X 5 ZN	1	
410	K300260801	ECROU H M8 EMB CR	NUT H M8 NOTCHED SHOULDER	4	
411	K300230802	ECROU ' RAPID' DE 8 C4808 B	NUT RAPID M8 C 4808B	2	
412	K300060302	VIS TH3/8 UNF1 ZING	SCREW TH 3/8 UNF1 ZN	1	
413	K300010825	VIS TH 8 x 60	SCREW TH 8 X 60	1	BS
414	K300010803	VIS H EMB CR 8 x 40	SCREW H NOTCHED SHOULDER 8 X 40	2	
415	K300010801	VIS H EMB CR 8 x 25	SCREW H NOTCHED SHOULDER 8 X 25	2	
416	K305000063	FIL OUVERTURE FREIN	BRAKE OPENING WIRE	1	GCVX 200

\* Le service après vente : s'adresser au réseau motoriste concerné

For the engine's spare parts, please contact the motor's retailers network

Rep N°	Ref.	Désignation	Description	Qté	
500	KE04020025	ARBRE PORTE LAME OR AP CLAVETE	BLADE SHAFT	1	
501	KE04010018	VIS DE BIELETTE EMBRAY.BOTIER	CLUTCH SCREW	1	
502	KE02020206	LEVIER PORTE FREIN ZN	BRAKE LEVER	1	
503	KE02020204	PLATINE EMBRAYAGE FREIN ZN	SUPPORT BRAKE & CLUTCH	1	
504	KE02020203	PATTE GUIDAGE EMBRAYAGE ZN	CLUTCH ALIGNER	1	
505	KE02020202	PATTE DE GUIDAGE EMBR GAUCHE ZN	LEFT CLUTCH ALIGNER	1	
506	KE02010208	RONDELLE EMBOUTIE PROTECTION MOYEU DE LAME	PROTECTION WASHER	1	
507	KE01020014	GARNITURE FREIN RIVETEE	BRAKE	1	
508	KD03010001	GALET A GORGE ARRONDIE	RUNNER	1	
509	KD02020203	LEVIER EMBRAYAGE LAME ZN	CLUTCH LEVER	1	
510	KD02011601	EJECTEUR NOIR	VENTILATING PLATE	1	
511	KD02011102	COUPOLE GRIS RAL7021	GREY RAL7021 BLADE GUARD	1	
512	KD02010212	PLAT VERROU VOLET HORIZON ZN	FRONT DEFLECTOR LOCKER PLATE	1	
513	KD02010209	PLAT GALET DE TENSION DE COURROIE DE LAME	PLATE OF CLUTCH RUNNER	1	
514	KD02010203	PLAT FIXATION BAVETTE	FLAP FIXATION PLATE	1	
515	K342000003	BAVETTE ARRIERE	BACK FLAP	1	
516	K320020009	LAME DE 51 CM	BLADE 51 CM	1	
517	K306030026	COURROIE DE LAME LA 41	BLADE V-BELT LA41	1	
518	K306010016	ROULEMENT 6005 2 RS 25 x 47 x 12	BEARING 6005 2 RS	2	
519	K306010014	ROULEMENT 6000 2 RS	BEARING 6000 2 RS	1	
520	K305010010	RESSORT FREIN DE LAME	SPRING FOR BRAKE	1	
521	K305010009	RESSORT DE RAPPEL	SPRING	1	
522	K305010008	RESSORT DE TRACTION	SPRING	1	
523	K302030085	POULIE FREIN USINEE CLAVETEE DIAM 110	BRAKE PULLEY DIAM 110	1	
524	K302030012	PALIER DE LAME	BLADE BEARING	1	
525	K302020085	TUBE ENTRETOISE PALIER LAME	TUBE SPACER	1	
526	K302020049	ENTRETOISE GALET TENDEUR	RUNNER SPACER	1	
527	K302020028	ENTRETOISE	SPACER	1	
528	K301040014	CLAVETTE 5 x 5 x 30	KEY 5 X 5 X 30	1	
529	K300441001	RONDELLE EVENTAIL AZ 10 ZN	WASHER AZ 10 ZN	2	
530	K300430802	RONDELLE CONTACT LARGE M8	LARGE WASHER M8	2	
531	K300430801	RONDELLE CONTACT M8	WASHER M8	3	
532	K300401103	RONDELLE PLATE 30 x 11 x 5 ZN	WASHER 30 X 11 X 5 ZN	1	
533	K300261001	ECROU H M10 EMB CR	NUT H M10 NOTCHED SHOULDER	4	
534	K300260601	ECROU H M6 Z EMB CR	NUT H M6 Z NOTCHED SHOULDER	4	
535	K300211201	ECROU FREIN M12	NUT BRAKE M10	1	
536	K300211001	ECROU FREIN M10	BLOCKING NUT M10	2	
537	K300210801	ECROU FREIN H M8	NUT,NYLOC M8	1	
538	K300201001	ECROU HU M10	NUT HU M10	1	
539	K300200801	ECROU HU M8	NUT HU M8	2	
540	K300090804	VIS A GAUCHE 8 x 25	SCREW Z 8 X 25	1	
541	K300090801	PITON A OEIL	SCREW	1	
542	K300081201	VIS TRCC 12 x 50	SCREW TRCC 12 x 50	1	
543	K300020801	VIS CHC 8 x 16	sCREW CHC 8 X 16	2	
544	K300011010	VIS HM 10 x 35	SCREW HM 10 x 35	3	
545	K300010601	VIS H 6 x 16 EMB CR	SCREW H NOTCHED SHOULDER 6 X 16	4	
546	K300011026	VIS H 10 x 30 EMB CR	Screw HM 10x30 Z Emb cr	4	