

R180-3 - Euro2 - no série < A1901100001

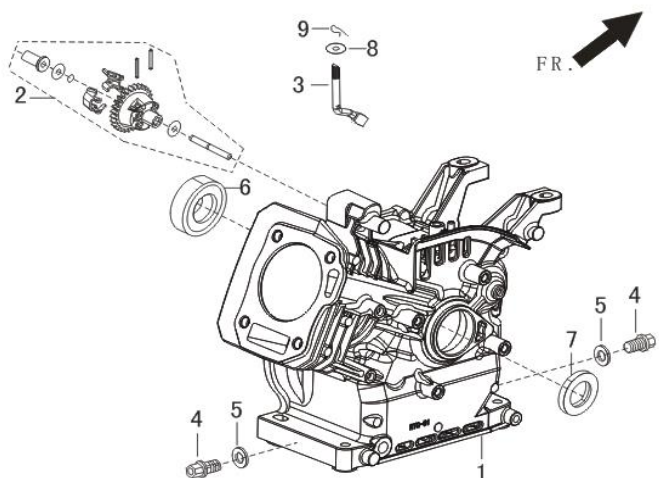
Moteur Type R180-3 à filtre à air à bain d'huile (R180-BH) à la norme Euro2



★RATO R180-3★
★A2209061339★
e9*2016/1628*2016/1628SYAI/P*1035

R180-3 - Euro2 - no série < A1901100001

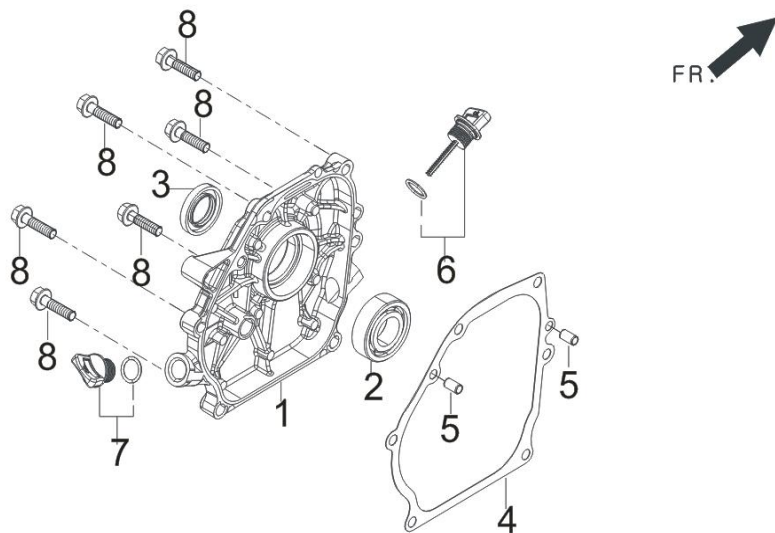
FIG.1 CRANKCASE. / GEAR ASSY, GOVERNOR.(E01)



REF.NO.	PUBERT PART	DESCRIPTION	DESCRIPTION	QTY Euro2
E01-1	0001210003	CRANKCASE SUBASSEMBLY.	CARTER PRINCIPAL	1
E01-2	0001180050	GEAR ASSY, GOVERNOR	PIGNON REGULATEUR	1
E01-3	not available	ARM, GOVERNOR	BRAS REGULATEUR	1
E01-4	9501004145	BOLT, DRAIN PLUG	VIS VIDANGE	2
E01-5	0001200006	WASHER, FLAT	JOINT VIS VIDANGE	2
E01-6	0001100124	BEARING, DEEP GROOVE BALL	ROULEMENT VILEBREQUIN	1
E01-7	0001180005	SEAL, OIL	JOINT SPI VILEBREQUIN	1
E01-8	not available	WASHER, FLAT	RONDELLE	1
E01-9	0001000529	PIN	GOUPILLE BETA	1

R180-3 - Euro2 - no série < A1901100001

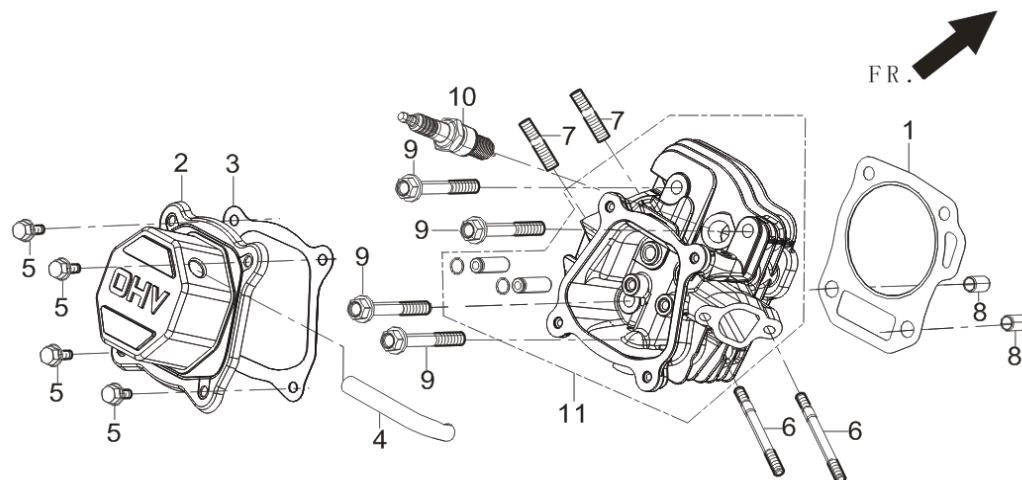
FIG.2 COVER SUBASSEMBLY, CRANKCASE.(E02)



REF.NO.	PUBERT PART	DESCRIPTION	DESCRIPTION	QTY Euro2
E02-1	0001210004	COVER, CRANKCASE	CARTER LATERAL	1
E02-2	0001100124	BEARING, DEEP GROOVE BALL	ROULEMENT VILEBREQUIN	1
E02-3	0001180005	SEAL, OIL	JOINT SPI VILEBREQUIN	1
E02-4	0001060053	GASKET, CRANKCASE	JOINT CARTER	1
E02-5	not available	PIN	PION CENTRAGE	2
E02-6	0001180008	DIPSTICK SUBASSEMBLY, OIL	JAUGE HUILE	1
E02-7	0001180007	PLUG SUBASSEMBLY, ENGINE OIL	BOUCHON HUILE	1
E02-8	not available	BOLT	VIS	6

R180-3 - Euro2 - no série < A1901100001

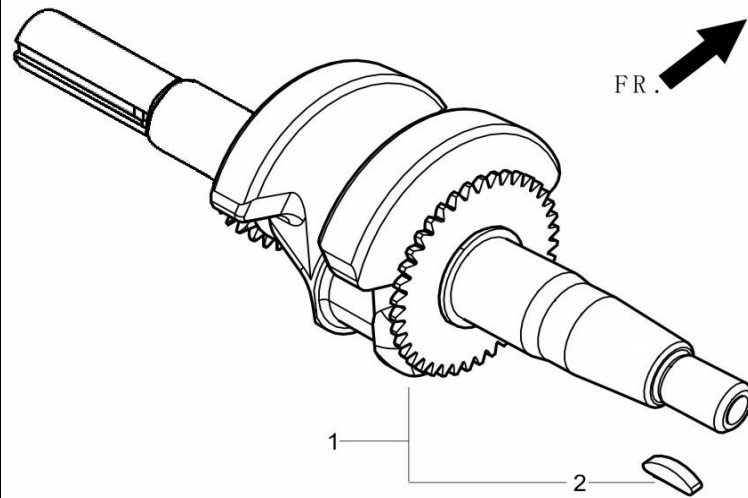
FIG.3 HEAD SUBASSEMBLY, CYLINDER / PLUG, SPARK.(E03)



REF.NO.	PUBERT PART	DESCRIPTION	DESCRIPTION	QTY Euro2
E03-1	0001180003	GASKET, CYLINDER HEAD	JOINT CULASSE	1
E03-2	0001210001	COVER SUBASSEMBLY, CYLINDER HEAD	COUVRE CULASSE	1
E03-3	0001180002	GASKET, CYLINDER HEAD COVER	JOINT COUVRE CULASSE	1
E03-4	0001150034	TUBE, BREATHER	DURIT RENIFLARD	1
E03-5	not available	BOLT	VIS	4
E03-6	not available	STUD	GOUJON	2
E03-7	not available	STUD	GOUJON	2
E03-8	not available	PIN	PION CENTRAGE	2
E03-9	not available	BOLT, CYLINDER HEAD	VIS	4
E03-10	9501000304	PLUG, SPARK	BOUGIE	1
E03-11	0001210002	HEAD SUBASSEMBLY, CYLINDER	CULASSE	1

R180-3 - Euro2 - no série < A1901100001

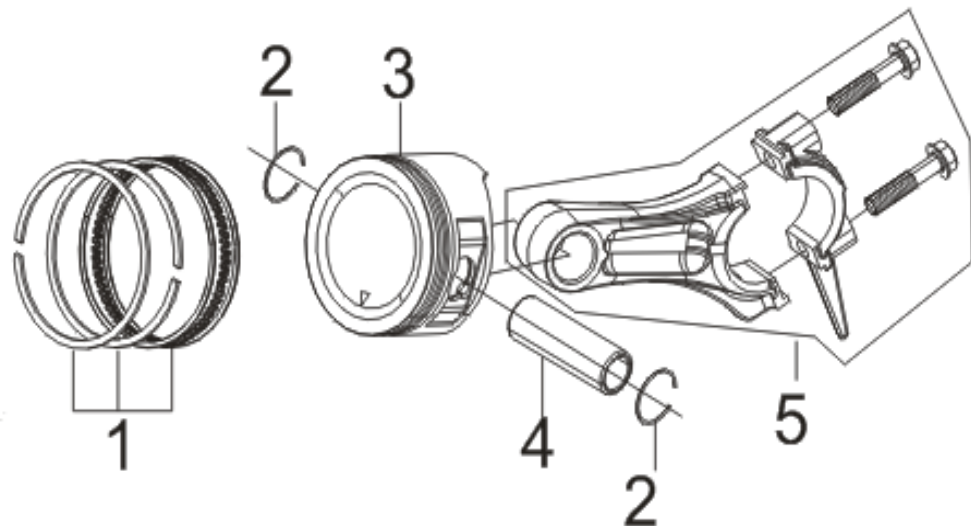
FIG.4 ROD,CRANKSHAFT CONNETING.(E04)



REF.NO.	PUBERT PART	DESCRIPTION	DESCRIPTION	QTY Euro2
E04-1	0001210005	CRANKSHAFT ASSY.	VILEBREQUIN	1

R180-3 - Euro2 - no série < A1901100001

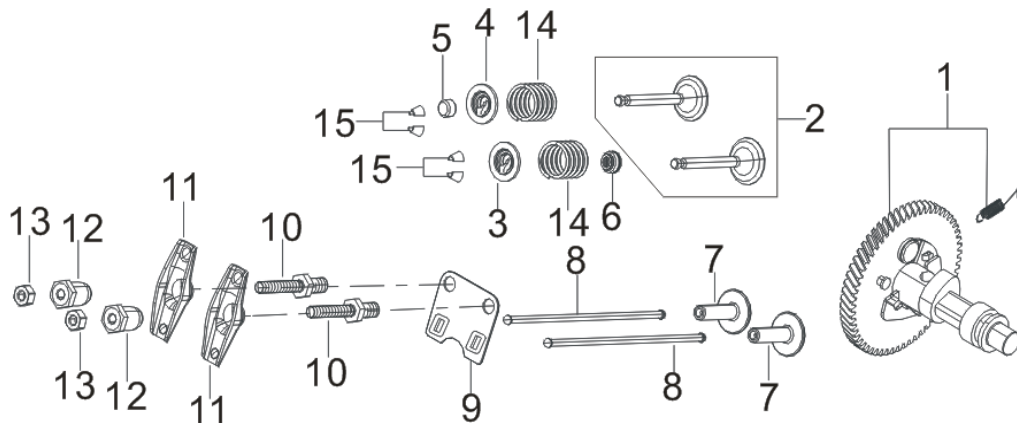
FIG.5 RING SET,OIL / ROD,CRANKSHAFT CONNETING.(E05)



REF.NO.	PUBERT PART	DESCRIPTION	DESCRIPTION	QTY Euro2
E05	0001210014	PISTON ASSY (1+2+3+4)	ENSEMBLE PISTON (1+2+3+4)	1
E05-1	0001210007	RING ASSY, PISTON	JEU SEGMENTS	1
E05-2	0001180014	CLIP, PISTON PIN	CLIP AXE PISTON	2
E05-3	0001210006	PISTON	PISTON	1
E05-4	0001180011	PIN, PISTON	AXE PISTON	1
E05-5	0001180012	ROD, CONNECTING	BIELLE	1

R180-3 - Euro2 - no série < A1901100001

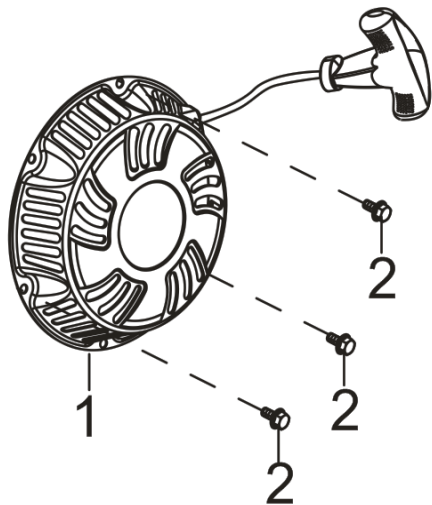
FIG.6 TRAIN,VALVE / CAMSHAFT SUBASSEMBLY.(E06)



REF.NO.	PUBERT PART	DESCRIPTION	DESCRIPTION	QTY Euro2
E06-1	0001210015	CAMSHAFT ASSY.	ARBRE A CAMES	1
E06-2	0001060065	VALVE (EXHAUST)	SOUPAPE ECHAPPEMENT	1
	0001060077	VALVE (INTAKE)	SOUPAPE ADMISSION	1
E06-3	0001090011	SEAT, VALVE SPRING (INTAKE)	RENDELLE RESSORT SOUPAPE ADMISSION	1
E06-4	0001060078	RETAINER, EXHAUST VALVE	RONDELLE RESSORT SOUPAPE ECHAPPEMENT	1
E06-5	9501000562	ROTATOR, VALVE	VERROU SOUPAPE	1
E06-6	0001180048	GUIDE, SEAL	JOINT QUEUE SOUPAPE	1
E06	0001210008	TRAIN VALVE (7+8+10+11+12+13)	ENSEMBLE DISTRIBUTION POUR UNE SOUPAPE	2
E06-7	1 by train valve	TAPPET, VALVE	POUSSOIR	2
E06-8	1 by train valve	LIFTER, VALVE	TIGE CULBUTEUR	2
E06-9	0001210016	PLATE SUBASSEMBLY, LIFTER STOPPER	PLAQUE	1
E06-10	1 by train valve	BOLT, ROCKER SHAFT	VIS	2
E06-11	1 by train valve	ROCKER, VALVE	CULBUTEUR	2
E06-12	1 by train valve	NUT, VALVE ADJUSTING	ECROU	2
E06-13	1 by train valve	NUT, VALVE LOCK	ECROU	2
E06-14	0001090010	SPRING, VALVE	RESSORT SOUPAPE	2

R180-3 - Euro2 - no série < A1901100001

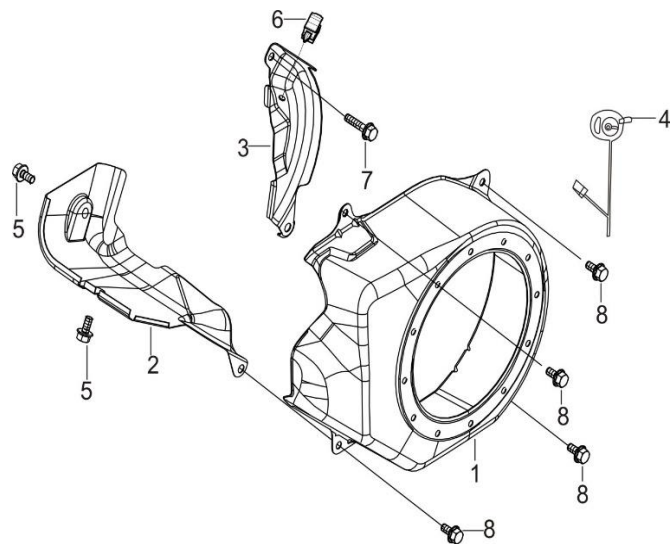
FIG.7 STARTER,RECOIL.(E07)



REF.NO.	PUBERT PART	DESCRIPTION	DESCRIPTION	QTY Euro2
E07-1	0001210010	STARTER ASSY, RECOIL	LANCEUR	1
E07-2	not available	BOLT	ECROU	3

R180-3 - Euro2 - no série < A1901100001

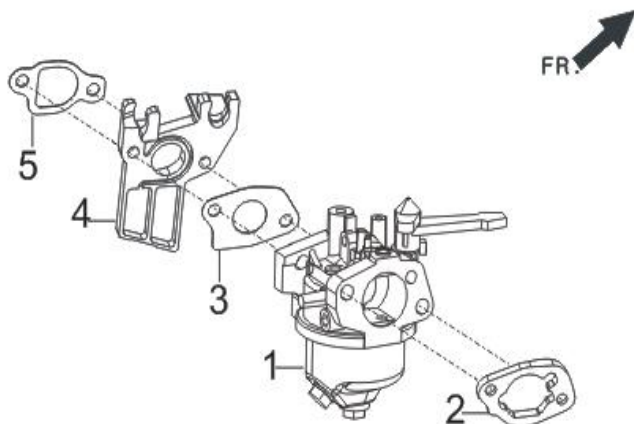
FIG.8 SHROUD / SHIELD,LOWER.(E08)



REF.NO.	PUBERT PART	DESCRIPTION	DESCRIPTION	QTY Euro2
E08-1	0001210011	SHROUD	VOLUTE	1
E08-2	0001180019	SHROUD, CYLINDER BODY	DEFLECTEUR AIR	1
E08-3	not available	SHIELD,LOWER	DEFLECTEUR AIR	1
E08-4	0330062001	SWITCH SUBASSEMBLY, STOP ENGINE	SWITCH ON/OFF	1
E08-5	not available	BOLT	VIS	2
E08-6	not available	COLLAR	COLLIER	1
E08-7	not available	BOLT	VIS	1
E08-8	not available	BOLT	VIS	4

R180-3 - Euro2 - no série < A1901100001

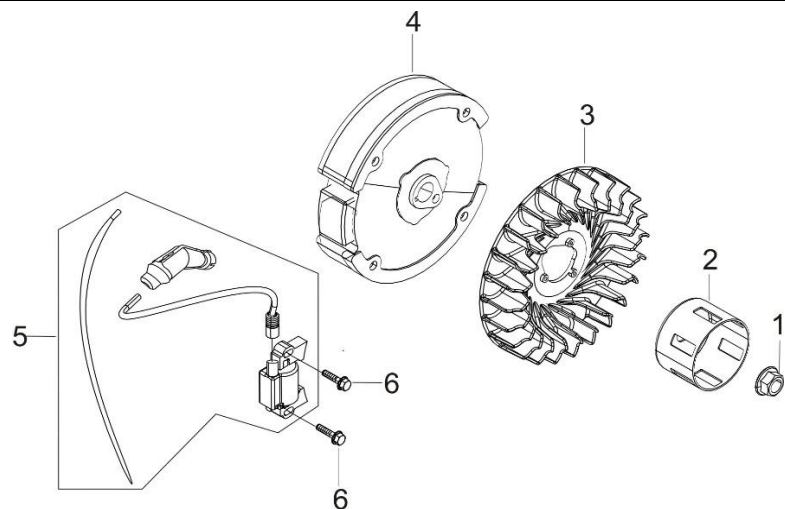
FIG.9 CARBURETOR ASSY.(E09)



REF.NO.	PUBERT PART	DESCRIPTION	DESCRIPTION	QTY Euro2
E09-1	0001180020	CARBURETOR ASSY.	CARBURATEUR	1
E09-2	0001180021	GASKET, AIR CLEANER	JOINT CARBURATEUR COTE FILTRE	1
E09-3	0001180022	GASKET, CARBURETOR	JOINT CARBURATEUR COTE MOTEUR	1
E09-4	0001180023	PLATE, CARBURETOR INSULATOR	ISOLANT CARBURATEUR	1
E09-5	0001180024	GASKET, CARBURETOR INSULATOR	JOINT CARBURATEUR COTE MOTEUR	1

R180-3 - Euro2 - no série < A1901100001

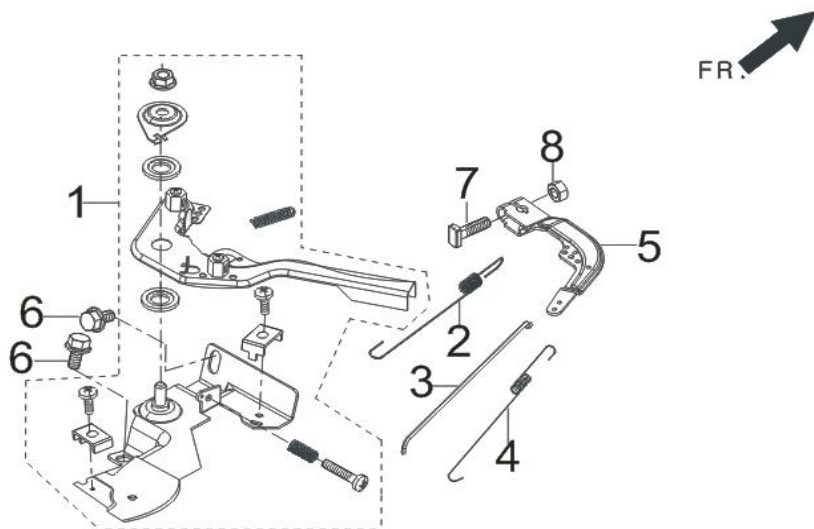
FIG.10 FLYWHEEL / IMPELLER / STARTER PULLEY / IGNITION COIL.(E10)



REF.NO.	PUBERT PART	DESCRIPTION	DESCRIPTION	QTY Euro2
E10-1	0001180029	NUT, FLYWHEEL	ECROU	1
E10-2	0001210021	PULLEY,STARTER	POULIE LANCEUR	1
E10-3	0001180027	IMPELLER	VENTILATEUR	1
E10-4	0001210013	FLYWHEEL SUBASSEMBLY	VOLANT	1
E10-5	0001180025	COIL, IGNITION	BOBINE ALLUMAGE	1
E10-6	not available	BOLT	VIS	2

R180-3 - Euro2 - no série < A1901100001

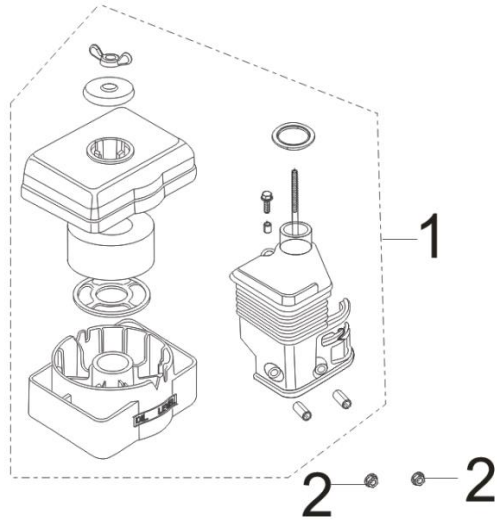
FIG.11 CONTROL ASSY, THROTTLE.(E11)



REF.NO.	PUBERT PART	DESCRIPTION	DESCRIPTION	QTY Euro2
E11-1	0001180045	CONTROL ASSY, THROTTLE	ENSEMBLE ACCELERATEUR	1
E11-2	0001060023	SPRING, GOVERNOR	RESSORT REGULATEUR	1
E11-3	0001180032	ROD, GOVERNEOR	BIELLETTE REGULATEUR	1
E11-4	0001000222	SPRING, THROTTLE VALVE RETURNING	RESSORT BIELLETTE REGULATEUR	1
E11-5	0001180046	SUPPORT SUBASSEMBLY, GOVERNOR	BRAS REGULATEUR	1
E11-6	not available	BOLT	VIS	2
E11-7	not available	BOLT, GOVERNOR SUPPORT	VIS	1
E11-8	not available	NUT	ECROU	1

R180-3 - Euro2 - no série < A1901100001

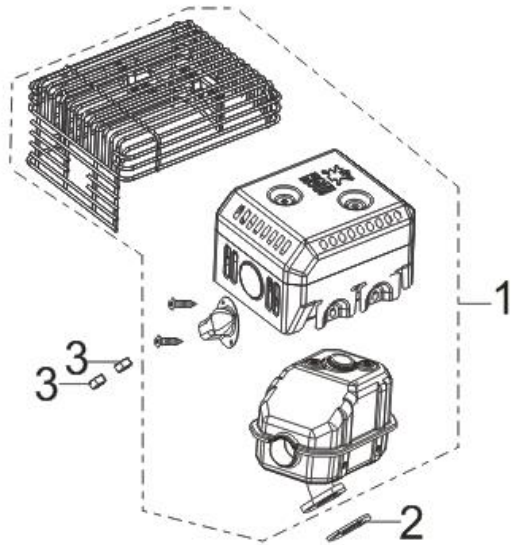
FIG.12 CLEANER, AIR.(F01)



REF.NO.	PUBERT PART	DESCRIPTION	DESCRIPTION	QTY Euro2
F01-1	0001210117	CLEANER, AIR	FILTRE A AIR	1
F01-2	not available	NUT	ECROU	2

R180-3 - Euro2 - no série < A1901100001

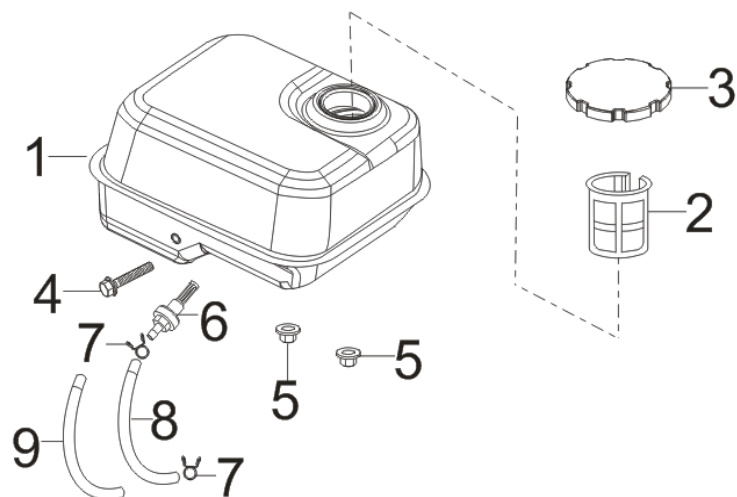
FIG.13 MUFFLER ASSY.(F02)



REF.NO.	PUBERT PART	DESCRIPTION	DESCRIPTION	QTY Euro2
F02-1	0001210020	MUFFLER ASSY.	ECHAPPEMENT	1
F02-2	0001180004	GASKET, EXHAUST OUTLET	JOINT ECHAPPEMNT	1
F02-3	not available	NUT	ECROU	2

R180-3 - Euro2 - no série < A1901100001

FIG.14 TANK ASSY, FUEL.(F03)



REF.NO.	PUBERT PART	DESCRIPTION	DESCRIPTION	QTY Euro2
F03-1	0001210009	TANK, FUEL	RESERVOIR	1
F03-2	0001180039	STRAINER, FUEL	FILTRE ENTREE RESERVOIR	1
F03-3	0001180037	COVER, FUEL TANK	BOUCHON RESERVOIR	1
F03-4	not available	BOLT	VIS	1
F03-5	not available	NUT	ECROU	2
F03-6	0001180036	OUTLET SUBASSEMBLY, FUEL TANK OIL	FILTRE SORTIE RESERVOIR	1
F03-7	not available	COLLAR	COLLIER	2
F03-8	0001210012	TUBE, FUEL	DURIT CARBURANT	1