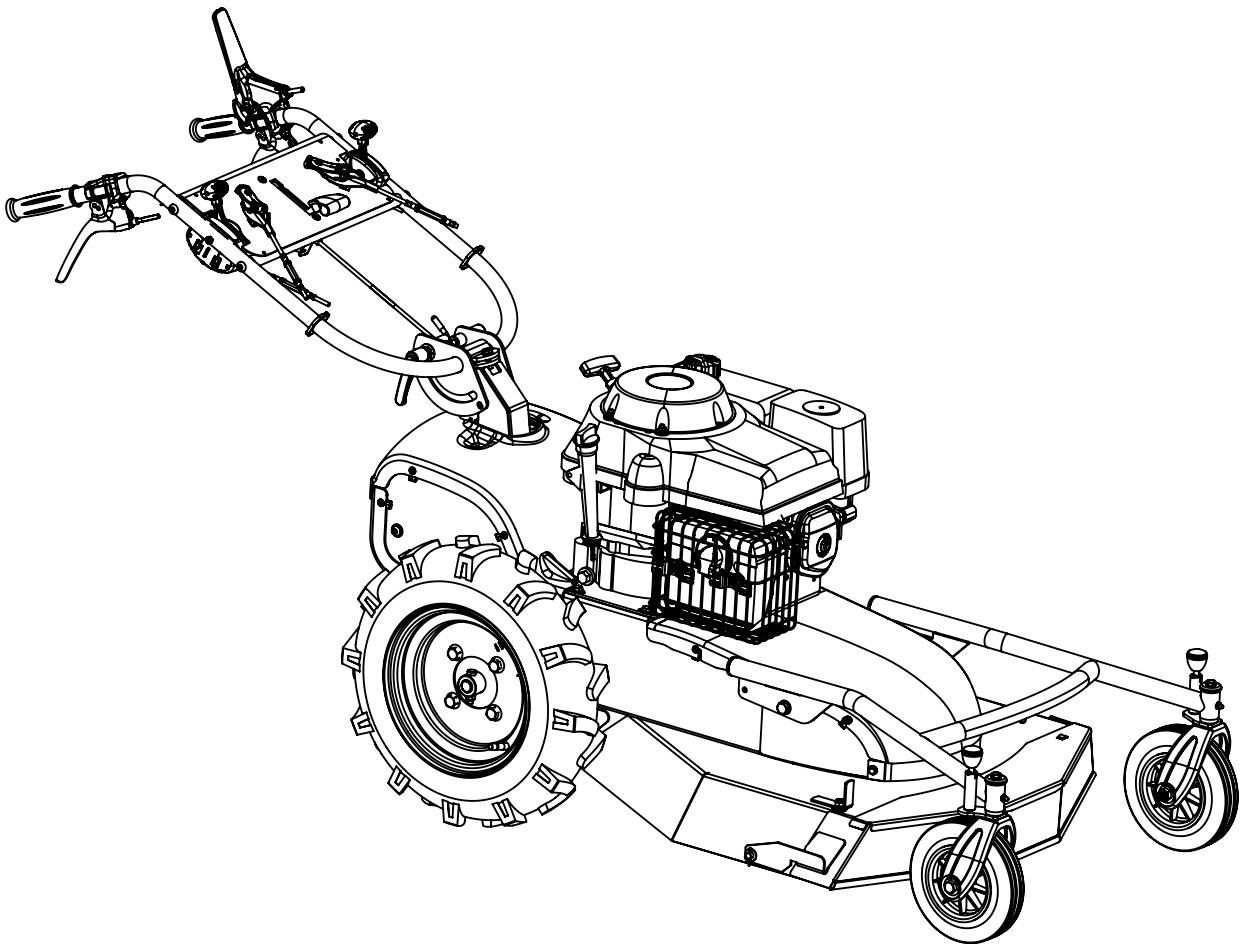
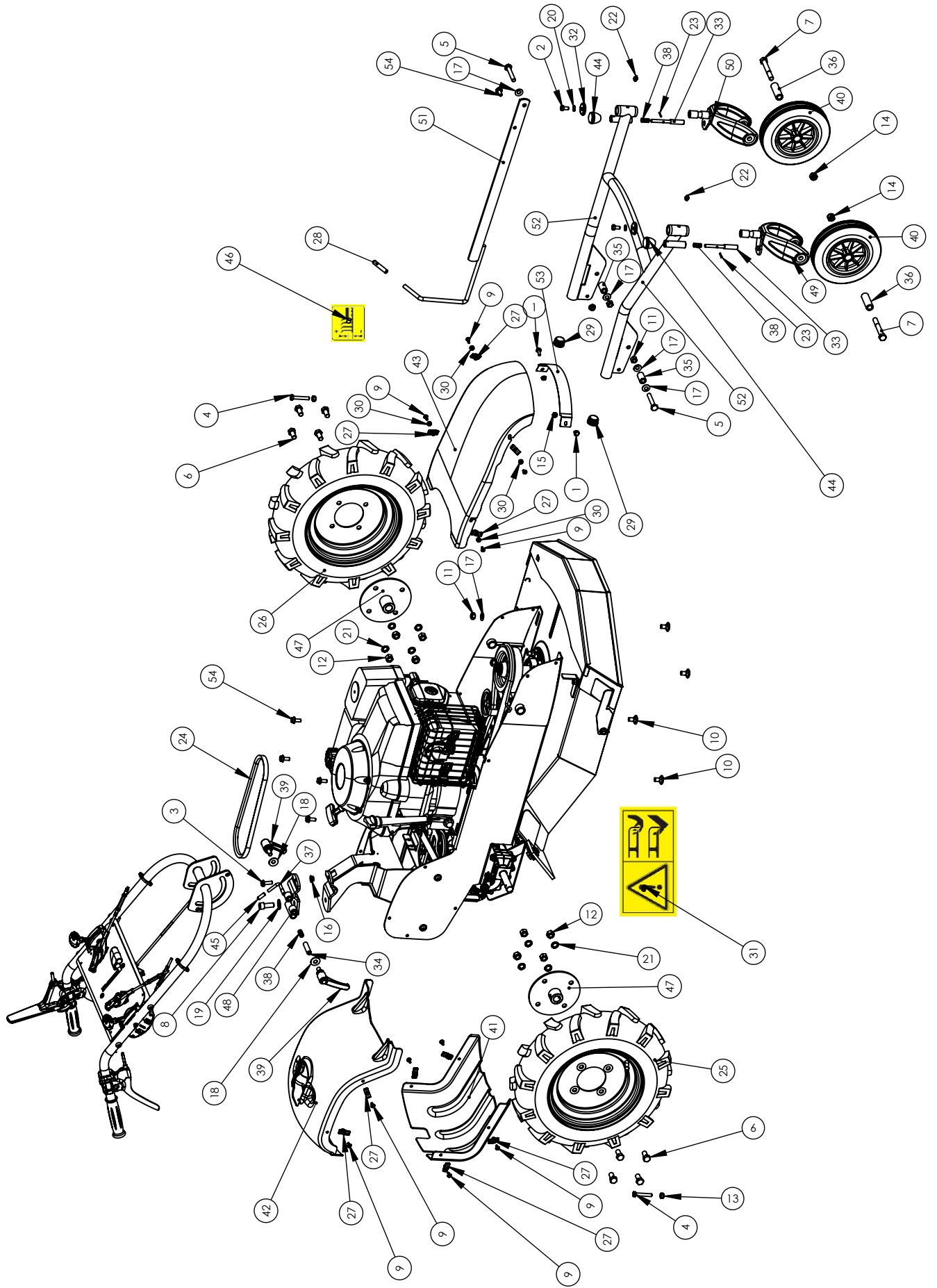


Pièces de rechange Spare parts list

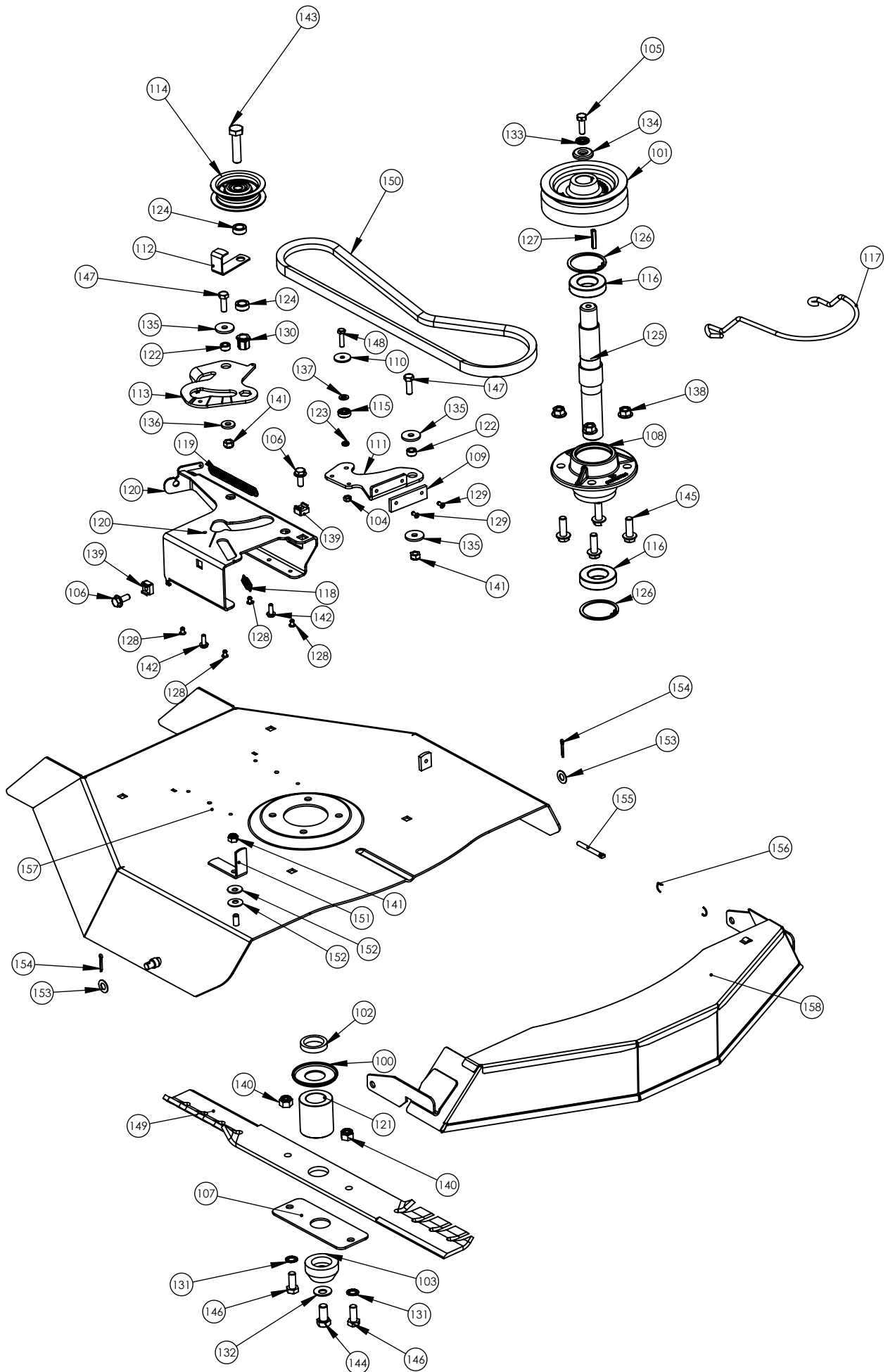
KD0005****



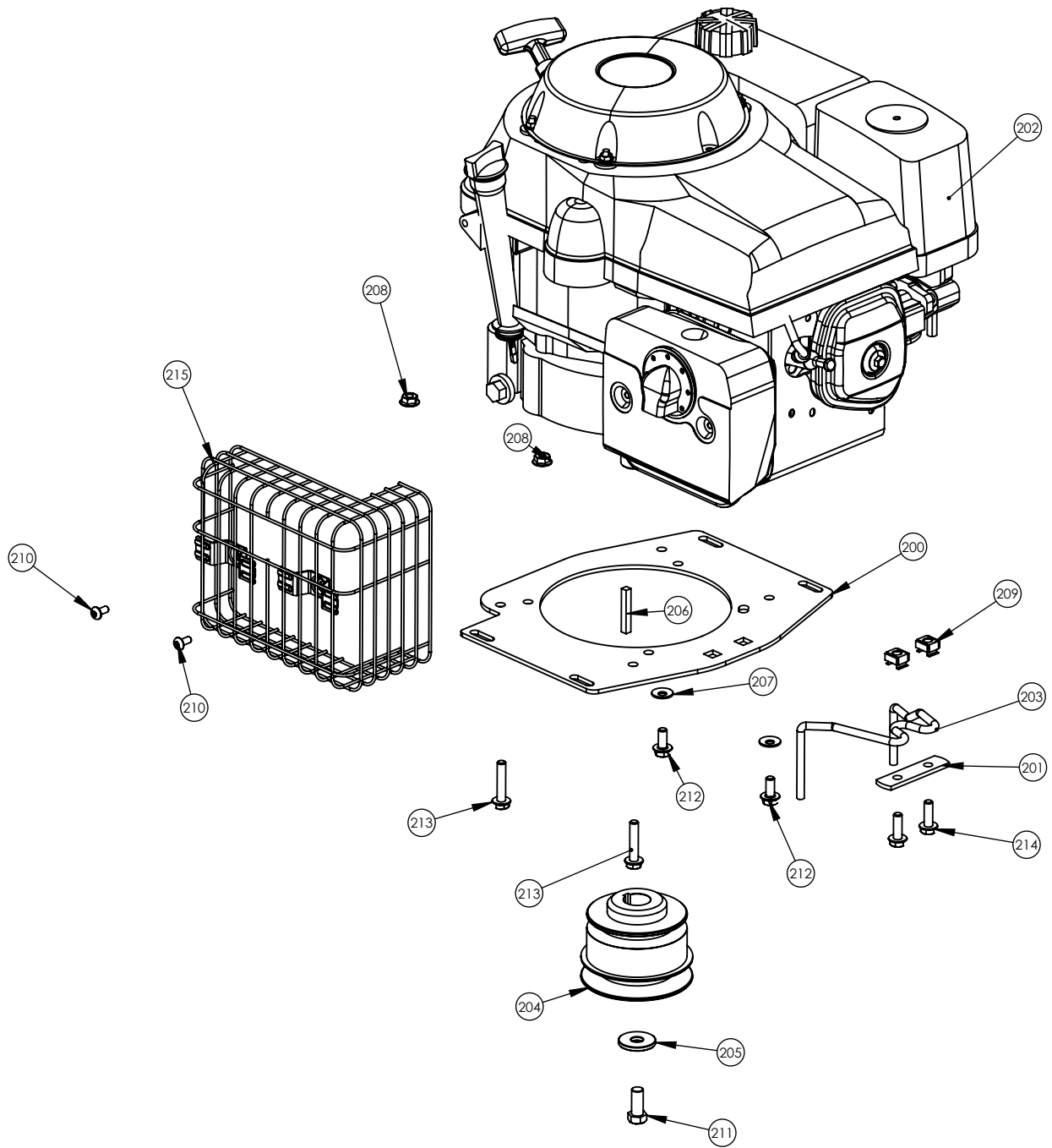
***FAUCHEUSE BROYEUSE
BRUSH CUTTER***



Rep N°	Ref	Désignation	Description	Qté
1	0300010609	VIS H 6x16 Z EMB CR DIN 6921	SCREW HM 6X16 Z NOTCHED SHOULD	2
2	0300010801	VIS H 8 X 16 Z DIN933/6.8	Screw HM 8x16 z	2
3	0300010838	VIS H 8x25 Z EMB CR DIN 6921	SCREW H 8x25 Z DIN 6921	1
4	0300010862	VIS TH 8 x 50 ZN 12.9	SCREW TH 8 X 50 12.9	2
5	0300011043	VIS TH 10 x 60 8.8 ZN DIN 933	SCREW H 10 X 60	2
6	0300011202	Vis HM12x25 Z	Screw HM 12x25 Z	8
7	0300011213	VIS H 12X85 Z DIN 933/6.8	Screw HM12x85z	2
8	0300021202	VIS CHC M12x30 Z DIN 912	Screw CHC M12x30 z	1
9	0300080405	VIS TOLE TETE POELIER D11	SCREW POZI 4.2X16Z	12
10	0300081001	VIS TRCC 10X 20 Z 80KG	SCREW TRCC 10 x 20	4
11	0300201002	ECROU H.U. M 10 Z DIN 934	NUT HM 10Z	6
12	0300201202	ECROU H.U. M 12 Z DIN 934-8	NUT HM 12Z	8
13	0300210802	ECROU FREIN M 8 Z DIN 985/8	BLOCKING NUT HM 8 Z DIN 985/8	2
14	0300211201	ECROU FREIN M 12 Z DIN 985/8	BLOCKING NUT M 12 Z	2
15	0300260601	ECROU HM 6 ZEMB CR DIN 6923	NUT H M6 Z NOTCHED SHOULDER	2
16	0300260801	ECROU HM 8 ZEMB CR DIN 6923-8	NUT H M8 Z NOTCHED SHOULDER	2
17	0300431001	RONDELLE CONTACT 10 BIC NFE	Elastic washer 10 Bic	8
18	0300431002	RONDELLE CONTACT M 10 LARGE	WASHER D 10	2
19	0300431201	RONDELLE CONTACT 12 NFE	Elastic washer 12 Bic	1
20	0300440801	Rondelle éventail 8z	External tooth lock washer Ø8 z	2
21	0300441201	RONDELLE EVENTAIL 12 Z	EXTERNAL TOOTH LOCK WASHER 12	8
22	0301000026	GRAISSEUR DROIT H 10 8X125 Z.	GREASER	2
23	0301020027	GOUPILLE MECANINDUS 3 x 20	COTTER PIN 3 x 20	2
24	0306030098	COURROIE A29	V-BELT A29	1
25	0309000054	ROUE 4.50X10 DROITE	RIGHT WHEEL 450X10 (TIRE 2PR)	1
26	0309000055	ROUE 4.50X10 GAUCHE	LEFT WHEEL 450X10 (TIRE 2PR)	1
27	0340000002	ATTACHE IMP D6 EP2.5 L15	Captive fastener for screw 4.2	12
28	0341000024	EMBOUT TYPE A -D9 LG 50 NOIR	End piece length: 50	1
29	0341000149	BOUCHON TUBE Ø30	PIPE CAP	2
30	0341000150	PASSE FIL	WIRE PROTECT	4
31	0503000006	AUTO-COLLANT DANGER LAME 78 X	Label "danger sticker"	2
32	K302000001	RONDELLE PROTECTION AXE ROUE AVANT	PROTECT WASHER	2
33	K302010019	AXE EPAULE BLOCAGE ROUE AVANT	AXLE LOCKING FRONT WHEEL	2
34	K302010029	AXE INDEXAGE MANCHERON	INDEX AXLE	1
35	K302020017	ENTRETOISE ARTICULATION	ROUND SPACER	2
36	K302020050	ENTRETOISE 12.4x20 x 59	SPACER 12.4 x 20 x 59	2
37	K305000032	AXE PLIE INDEXAGE MANCHERON	AXIS INDEXING HANDLEBAR	1
38	K305020003	RESSORT DE COMPRESSION	COMPRESSION SPRING	3
39	K307010006	POIGNEE DEBRAYABLE M10	HANDLE FOR HANDLEBAR LEVEL SELECTION	2
40	K309000013	ROUE PVD 200/50 + RLT	WHEEL PVD 200/50 + BEARING	2
41	K340000099	CAPOT ARRIERE BAS	DOWN BACK CARTER	1
42	K340000100	CAPOT ARRIERE HAUT	HIGH BACK CARTER	1
43	K340000101	CAPOT AVANT	FRONT COVER	1
44	K341000004	BOULE PLASTIQUE DIAM 8	END PIECE Ø 8	2
45	K341000019	EMBOUT ROND A 6.4 LG 25 NOIR	BLACK CAP Ø 6.4 LENGTH 25	1
46	K503000023-	AUTOCOLLANT HAUTEUR DE COUPE	STICKER "WORK LEVEL"	1
47	KH02041603	MOYEU DE ROUE NOIR	BLACK HUB WHEEL	2
48	KP02010212	PLAQUE SERRAGE MANCHERON	HANDLEBAR CLAMP PLATE	1
49	KP02011001	CHAPE DROITE GRIS ALU	ALU GREY RIGHT WHEEL SUPPORT	1
50	KP02011002	CHAPE GAUCHE GRIS ALU	ALU GREY LEFT WHEEL SUPPORT	1
51	KP02020205	LEVIER RELEVAGE HAUTEUR ZN	WORK LEVEL SELECTION TOOL	1
52	KP02021002	TRAIN AVANT GRIS ALU	ALU GREY FRONT WHEEL SUPPORT	1
53	KP02021601	PROLONGATION CAPOT AVANT NOIR	BLACK EXTENSION FRONT COVER	1
54	0300010816	VIS H 8x20 Z EMB CR	SCREW H M8X20 Z	5

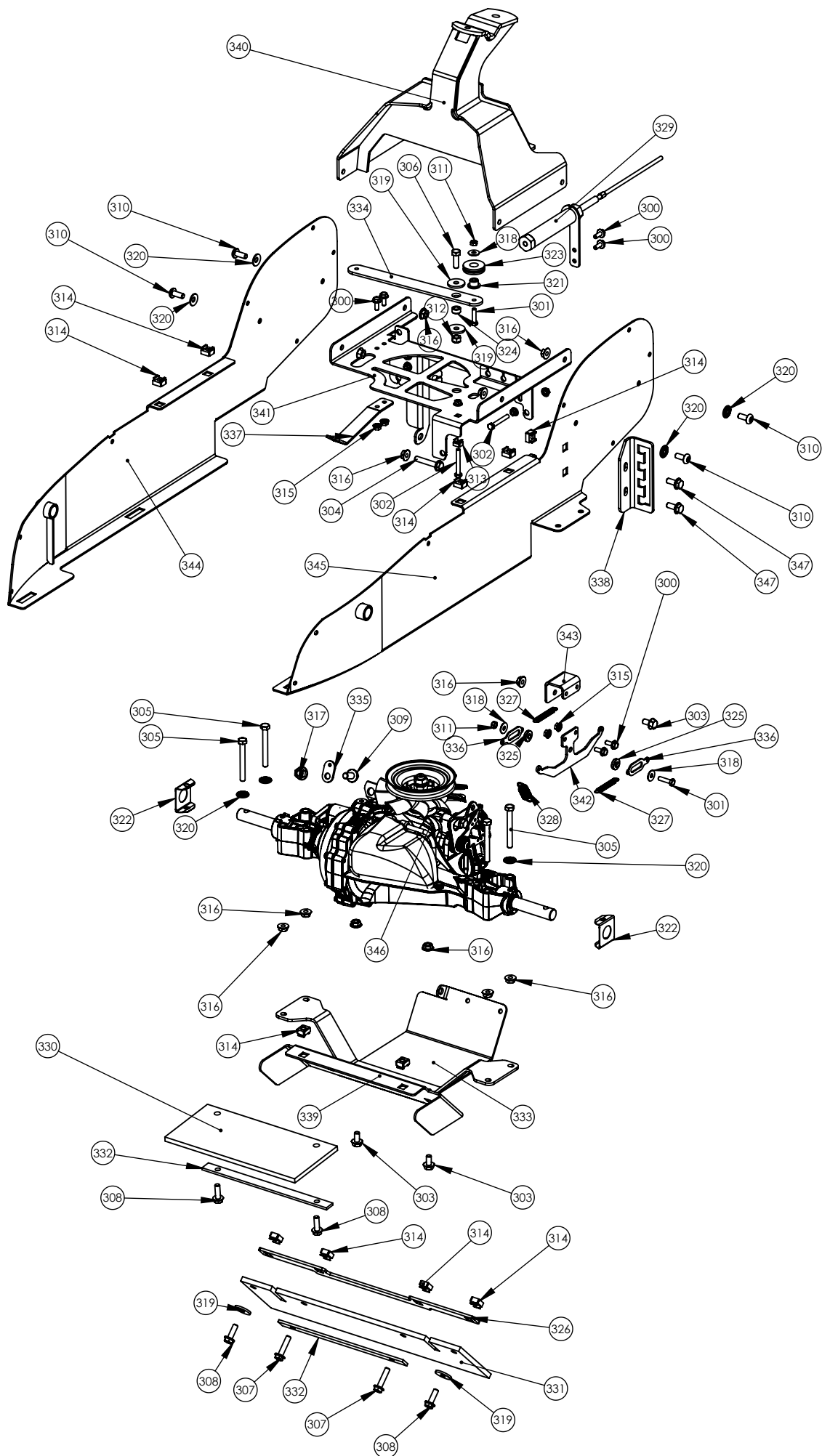


Rep N°	Ref	Désignation	Description	Qté
100	5504000032	RONDELLE PROTEC ARBRE COUP	Cup shaft protection washer	1
101	0306060012	POULIE COUPELLE L/GT/GTP	Blade guard pulley	1
102	0302020043	RONDELLE LAME EP8 ZN	Spacer 40 x 30,5 x 8	1
103	0302020041	RONDELLE DE SERRAGE	Blocking washer	1
104	0300210602	ECROU FREIN M 6 Z DIN 985-8	BLOCKING NUT M 6 Z	1
105	0300090801	VIS A GAUCHE 8X25 Z	Screw H M8x25 z LH	1
106	0300010816	VIS H 8x20 Z EMB CR	SCREW H M8X20 Z	2
107	KD02051601	RENFORT LAME NOIR	BLACK BLADE REINFORCEMENT	1
108	0302030025	PALIER COUPELLE xPUB Lx F	Blade guard bearing	1
109	KM04020001	GARNITURE DE FREIN	BRAKE	1
110	KM02020205	RONDELLE PLATE 6.2 x 25 x 2 ZN	WASHER 6.2 x 25 x 2	1
111	KM02020204	LEVIER PORTE FREIN	BRAKE LEVER	1
112	KM02020203	PLAT GALET DE TENSION	PLATE OF CLUTCH RUNNER	1
113	KM02020202	LEVIER EMBR DE LAME	CLUTCH LEVER	1
114	KE03020001	GALET GORGE PLATE LARGEUR 24	RUNNER	1
115	K306010043	ROULEMENT 2RS 6 x 19 x 6	BEARING 1 2RS 6 x 19 x 6	1
116	0306010069	ROULEMENT 6006 2RS DDU	Bearing 6006 2RS DDU	2
117	K305030020	GUIDE COURROIE	BELT GUIDE	1
118	K305010031	RESSORT DE TRACTION	SPRING	1
119	K305010030	RESSORT RAPPEL	SPRING	1
120	KP02020201	PLATINE EMBRAYAGE ZN	CLUTCH SUPPORT	1
121	K302020129	ENTRETOISE 50x30x55.25	SPACER 50x30x55.25	1
122	K302020111	ENTRETOISE 8 x 14 x 7.3	RUNNER SPACER	2
123	K302020110	ENTRETOISE 6.2 x 10 x 3	SPACER 6.2 x 10 x 3	1
124	K302020109	ENTRETOISE 12.2 x 20 x 8	RUNNER SPACER	2
125	K302010118	ARBRE LAME	BLADE SHAFT	1
126	0301070009	CIRCLIPS INTERIEUR 55 DIN472-5	INTERNAL RETAINING RING Ø55	2
127	0301040003	CLAVETTE 5 X 5 X 30 BTS	Key 5x5x43	1
128	0301000028	RIVET AVEUGLE TETE RONDE PLATE	RIVET STAINLESS STEEL 4.8x12	4
129	0301000029	RIVET ALU / ACIER TP 4 x 12	RIVET ALU / STEEL TP 4 X 12	2
130	0300601202	RIVKLE BOLLHOF M12 HEXA	RIVKLE BOLLHOF M12	1
131	0300441001	RONDELLE EVENTAIL M10 DIN 6798	EXTERNAL TOOTH LOCK WASHER Ø 10	2
132	0300431201	RONDELLE CONTACT 12 NFE	Elastic washer 12 Bic	1
133	0300430801	RONDELLE CONTACT M8 NF E 25511	CONTACT WASHER 8	1
134	0300411101	RONDELLE SPECIALE 11X30X5 Z	Washer 11x30x5z	1
135	0300400806	RONDELLE PLATE 28 x 9 x 3	PLATE WASHER 28 X 9 X 3	3
136	0300400805	RONDELLE PLATE ZN 8 x 20 x 3	WASHER 8 x 20 x 3	1
137	0300400602	RONDELLE PLATE M 6X14X1,2 Z	PLATE WASHER M 6X14X1,2 Z	1
138	0300261001	ECROU HM 10 ZEMB CR DIN 6923	Nut H M10 notched shoulder	4
139	0300230803	Ecrou cage M8 4808-B-4	NUT RAPID M8	2
140	0300211001	ECROU FREIN M 10 Z DIN 985/8	BLOCKING NUT M 10 Z	2
141	0300210802	ECROU FREIN M 8 Z DIN 985/8	BLOCKING NUT HM 8 Z DIN 985/8	3
142	0300090602	VIS AUTOTAR TH A EMB 6 X 16 Z	Screw HM6x16 z Self-tapping	2
143	0300011227	VIS HM 12 x 50 ZN CL8.8	SCREW H 12 X 50	1
144	0300011211	VIS HM 12x25 N CI 10.9	Screw HM 12x25 N CI 10.9	1
145	0300011030	VIS H 10x30 Z EMB CR DIN 6921	SCREW H 10x20 Z DIN 6921	4
146	0300011008	VIS H 10 X25 Z DIN 933/8/8	SCREW H M10x25 Z	2
147	0300010828	VIS H M8x25 CL8.8 ZN DIN 933	SCREW HM 8 X 25 ZN DIN 933	2
148	0300010616	VIS H 6 X 25 Z	Screw HM6x25	1
149	0320020012	LAME HERBE 650x ... x6.4 LSEN	GRASS BLADE Ø650	1
150	0306030114	COURROIE MBL LB46 ORANGE	BLADE V-BELT LB46	1
151	KD02010212	PLAT VERROU VOLET ZN	FRONT DEFLECTOR LOCKER PLATE	1
152	0300430802	RONDELLE CONTACT M8 LARGE	LARGE WASHER M8	2
153	0300401101	RONDELLE PLATE 20 x 10 x 1	PLATE WASHER 20 x 10 x 1	2
154	0301100002	GOUPILLE V 3.2 x 20 ZN NFE	PIN	2
155	KE04010018	VIS DE BIELETTE EMBRAY.BOTIER	CLUTCH SCREW	1
156	K305010005	RESSORT DE TRACTION	TRACTION SPRING	1
157	KD02051901	COUPOLE GRIS RAL 7021	BLADE GUARD GREY RAL 7021	1
158	KD02051902	VOLET GRIS RAL7021	GREY RAL7021 SHUTTER	1

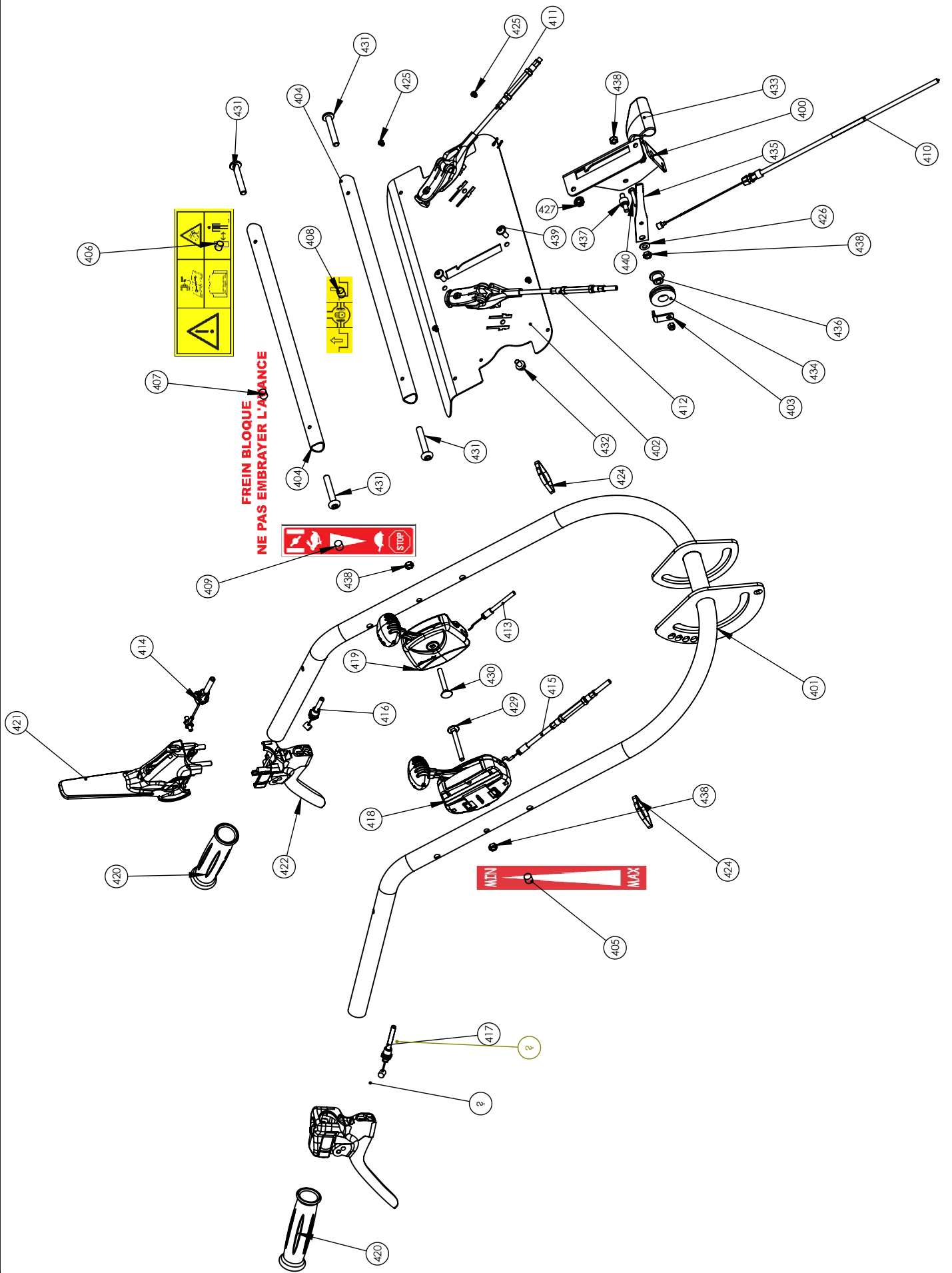


Rep N°	Ref	Désignation	Description	Quantité
200	KM02011602	SUPPORT MOTEUR NOIR	BLACK MOTOR SUPPORT	1
201	KE02020211	PLAT FIXATION PLAQUE DE DEB FIL LASER	BELT GUIDE PLAT FIXATION	1
202	0330011028	HONDA GXV390 T1-DN5-SD		1
203	K305030018	PLAQUE DE DEBRAYAGE	CLUTCH PLATE	1
204	K302030112	POULIE MOTEUR	MOTOR PULLEY	1
205	K302020002	RONDELLE PLATE	PLATE WASHER	1
206	0301040048	CLAVETTE BOUT DROIT DE 6.35 x 6.35 x 45	KEY RIGHT END 6.35 X 6.35 X 45	1
207	0300430801	RONDELLE CONTACT M8 NF E 25511	CONTACT WASHER 8	2
208	0300260801	ECROU HM 8 ZEMB CR DIN 6923-8	NUT H M8 Z NOTCHED SHOULDER	2
209	0300230804	ECROU RAPID M8 C 4808 CA	NUT RAPID M8 C 4808CA	2
210	0300080602	VIS TOLE TCB POZI 6,3 X 13 Z	POZIDRIVE SCREW M6x13Z	2
211	0300060706	VIS TH 7/16 8.8 UNF 1	SCREW TH 7/16 8.8 UNF 1	1
212	0300060504	VIS 5/16 TH24 UNF3/4(LG19)E	SCREW 5/16 TH24 UNF3/4 LG19	2
213	0300010817	VIS H 8x40 Z EMB CR DIN 6921	SCREW H M8 X 40	2
214	0300010838	VIS H 8x25 Z EMB CR DIN 6921	SCREW H 8x25 Z DIN 6921	2
215	0330012011	GRILLE ECHAPPEMENT GXV340	EXHAUST GRILL GXV340	1

***Le service après vente : s'adresser au réseau motoriste concerné**
For the engine's spare parts, please contact the motor's retailers network



Rep N°	Ref	Désignation	Description	Qté
300	0300010609	VIS H 6x16 Z EMB CR DIN 6921	SCREW HM 6X16 Z NOTCHED SHOULD	6
301	0300010616	VIS H 6 X 25 Z	Screw HM6x25	2
302	0300010628	VIS TH 6 x 45 ZN	SCREW TH 6 X 45 ZN	2
303	0300010815	VIS H 8x16 Z EMB CR DIN 6921	SCREW H M8X16 Z	3
304	0300010818	VIS H 8x45 Z EMB CR DIN 6921	SCREW H M8 X 45	1
305	0300010822	VIS H 8x70/22 Z CL8.8 DIN 931	Screw HM8x70z DIN 931 - ISO 4014	4
306	0300010828	VIS H M8x25 CL8.8 ZN DIN 933	SCREW HM 8 X 25 ZN DIN 933	1
307	0300010834	VIS H 8x35 Z EMB CR DIN 6921	SCREW H 8x35 Z DIN 6921	2
308	0300010838	VIS H 8x25 Z EMB CR DIN 6921	SCREW H 8x25 Z DIN 6921	4
309	0300011027	VIS H 10x20 Z EMB CR DIN 6921	SCREW H 10x20 Z DIN 6921	1
310	0300020817	VIS BHC 8x20 ZN CLASSE 8.8	SCREW BHC 8x20 CL8.8 ZN	4
311	0300210602	ECROU FREIN M 6 Z DIN 985-8	BLOCKING NUT M 6 Z	2
312	0300210802	ECROU FREIN M 8 Z DIN 985/8	BLOCKING NUT HM 8 Z DIN 985/8	1
313	0300230603	ECROU RAPID M6 C 4806 C	NUT RAPID M6 C 4806C	1
314	0300230803	Ecrou cage M8 4808-B-4	NUT RAPID M8	12
315	0300260601	ECROU HM 6 ZEMB CR DIN 6923	NUT H M6 Z NOTCHED SHOULDER	9
316	0300260801	ECROU HM 8 ZEMB CR DIN 6923-8	NUT H M8 Z NOTCHED SHOULDER	12
317	0300261001	ECROU HM 10 ZEMB CR DIN 6923	Nut H M10 notched shoulder	1
318	0300400601	RONDELLE 6 X 18 X 1.2 Z	Washer M6x18x1.2 Z	3
319	0300400806	RONDELLE PLATE 28 x 9 x 3	PLATE WASHER 28 X 9 X 3	4
320	0300430801	RONDELLE CONTACT M8 NF E 25511	CONTACT WASHER 8	8
321	0302020179	ENTRE EPAULE 6X14X20LG11	SPACER	1
322	0306040040	CLIP PROTECTION BOITE HYDRO	PROTECTION CLIP GEAR BOX	2
323	0340000016	GALET RENVOI ANGLE Ø35	Clutch cable runner	1
324	K302020111	ENTRETOISE 8 x 14 x 7.3	RUNNER SPACER	1
325	K302020128	ENTRETOISE COMMANDE BOITE HYDR	SPACER	2
326	KD02050201	BRIDE DE BAVETTE	FLAP FLANGE	1
327	K305010027	RESSORT DE RAPPEL	SPRING	2
328	K305010029	RESSORT RETOUR NEUTRE BV	SPRING	1
329	K308070003	CABLE COMMANDE DIF LOCK	DIF LOCK CABLE	1
330	K342000021	BAVETTE N°2	FLAP	1
331	K342000023	BAVETTE	FLAP	1
332	KH02010201	BRIDE DE BAVETTE ZN	FLAP FLANGE	2
333	KH02041602	SABOT NOIR	BLACK PROTECTION	1
334	KP02010202	LEVIER COMMANDE AVANCE ZN	LEVER SPEED CONTROL	1
335	KP02010204	PATTE ACCROCHE RESSORT FREIN	BRAKE SPRING HOOK	1
336	KP02010205	RATTRAPAGE COMMANDE ZN	CONTROL RETROFIT	2
337	KP02010206	ARRET DE GAINÉ CRABOT ZN	STOP BRAID HOUSING	1
338	KP02010207	CREMAILLE PLIE ZN	CUT ADJUST LEVEL RACK	1
339	KP02011601	SUPPORT SABOT NOIR	BLACK SUPPORT PROTECTION	1
340	KP02011604	SUPPORT MANCHERON NOIR	BLACK HANDLEBAR SUPPORT	1
341	KP02020202	ARRET DE GAINÉ ZN	BRAID HOUSING STOP	1
342	KP02020203	LEVIER COMMANDE MAV MAR ZN	COMMANDE LEVER FORWARD-REAR	1
343	KP02020204	SUPPORT LEVIER BV ZN	GEARBOX LEVER BRACKET	1
344	KP02020601	FLANC DROIT ROUGE	RED RIGHT CARTER	1
345	KP02020602	FLANC GAUCHE ROUGE	RED LEFT CARTER	1
346	KP04020003	TRANSMISSION HYDRO USINEE	HYDROSTATIC TRANSMISSION	1
347	0300010816	VIS H 8x20 Z EMB CR	SCREW H M8X20 Z	2



Rep N°	Ref	Désignation	Description	Qté
400	KP02011605	TOLE COMMANDE CRABOT NOIR	BLACK DIFF LOCK SWITCH	1
401	KP02021001	MANCHERON GRIS ALU	GREY HANDLEBAR	1
402	KP02010603	TOLE MANCHERON ROUGE RAL3002	RED RAL 3002 HANDLEBAR SHEET	1
403	KP02010211	BUTEE SECURITE CABLE PLIEE	SAFETY STOP CABLE	1
404	KM02011002	TUBE LIAISON GUIDON GRIS ALU	HANDLEBAR ALU GREY LINK TUBE	2
405	K503000058-	AUTOCOLLANT SELECTION VITESSE	STICKER " SPEED SELECTION"	1
406	K503000042-	ETIQ "PRECAUTIONS EMPLOI"	"Safety instructions" label	1
407	K503000016-	AUTOCOLLANT PRECAUTION FREIN	BRAKE PRECAUTION STICKER	1
408	K503000006-	AUTOCOLLANT BLOCAGE DIFF.	STICKER DIFF. LOCK	1
409	K503000005-	AUTOCOLLANT ACCELERATEUR STOP + STARTER	STICKER "SPEED VARIATION" WITH STARTER	1
410	K308070003	CABLE COMMANDE DIF LOCK	DIF LOCK CABLE	1
411	K308050008	CABLE COMMANDE BI-PASS	BI-PASS CONTROL CABLE	1
412	K308050007	CABLE COMMANDE FREIN	BRAKE CONTROL CABLE	1
413	K308040012	CABLE COMMANDE DES GAZ	THROTTLE CABLE	1
414	K308020036	CABLE EMBR DE LAME	BLADE CLUTCH CABLE	1
415	K308010051	CABLE VARIATION DE VITESSE	SPEED VARIATION CABLE	1
416	K308010049	CABLE EMBRAYAGE MAR	REAR CLUTCH CABLE	1
417	K308010050	CABLE EMBRAYAGE MAV	MAV CABLE	1
418	K307020019	LEVIER LGU4XRF140	LEVER LGU4XRF140	1
419	K307020010	POIGNEE GAZ	THROTTLE LEVER	1
420	K307020005	POIGNEE CAOUTCHOUC DIAM 25	GRIP	2
421	K307010036	LEVIER EMBR DE LAME	CLUTCH LEVER	1
422	K307010040	LEVIER DE COMMANDE M.R	M.R CLUTCH LEVER	1
423	K307010039	LEVIER DE COMMANDE M.A	M.A CLUTCH LEVER	1
424	0301060021	COLLIER PLASTIQUE CORLING	TIE-CABLE	2
425	0300500401	RIVET ACIER/ACIER 4 x12	RIVET STEEL/STEEL 4 x12	4
426	0300400602	RONDELLE PLATE M 6X14X1,2 Z	PLATE WASHER M 6X14X1,2 Z	1
427	0300260601	ECROU HM 6 ZEMB CR DIN 6923	NUT H M6 Z NOTCHED SHOULDER	2
428	0300210501	ECROU FREIN M 5 Z DIN 985/8	Blocking nut M5 Z	1
429	0300080605	VIS TRCC 6 X 55/20 Z Din603	Screw TRCC M6x55 z	1
430	0300080610	VIS TRCC 6 X 45/20 Z Din603	SCREW TRCC 6 X 45 Z	1
431	0300100804	VIS BHC 8x50 CL10.9 ZN DEG	SCREW BHC 8x50 CL10.9 ZN DEG	4
432	0300010630	VIS HM EMB CRANTEE 6 X 10	SCREW H 6x10 NOTCHED SHOULDER	2
433	0341000021	EMBOUT MAN. VITESSE xNOIREx	End tube	1
434	0340000016	GALET RENVOI ANGLE Ø35	Clutch cable runner	1
435	0304000044	MANETTE VITESSE 01/02	Gear lever	1
436	0302020179	ENTRE EPAULE 6X14X20LG11	SPACER	1
437	0302010024	AXE LEVIER INV VIT02	Lever spindle	1
438	0300210602	ECROU FREIN M 6 Z DIN 985-8	BLOCKING NUT M 6 Z	4
439	0300100601	VIS TRL HC 6x16 CL8.8 ZN NOIR	SCR TRL HC 6x16 CL8.8 ZN BLACK	2
440	0300010511	VIS HM 5 x 25 ZN	SCREW HM 5 x 25	1