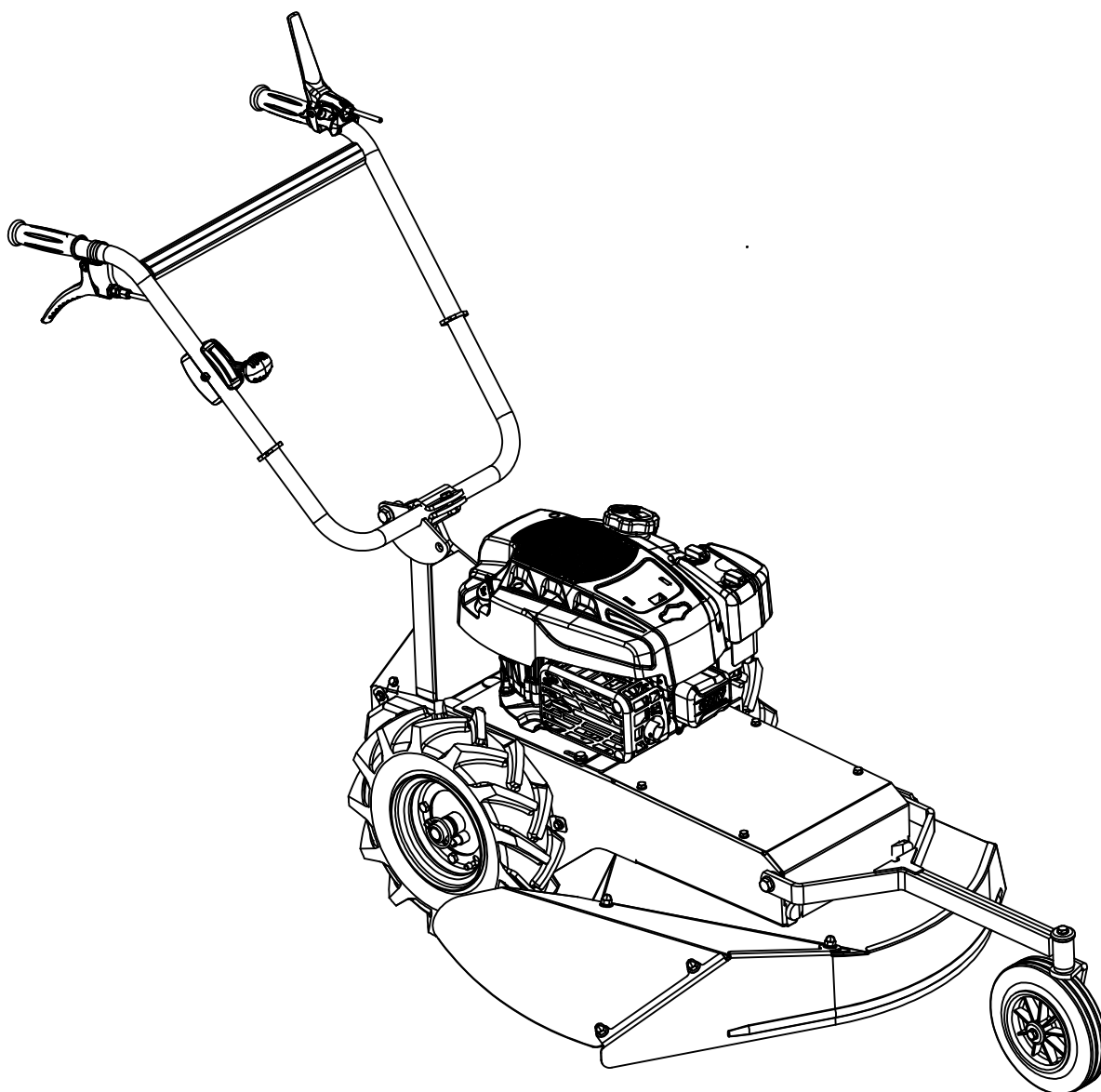
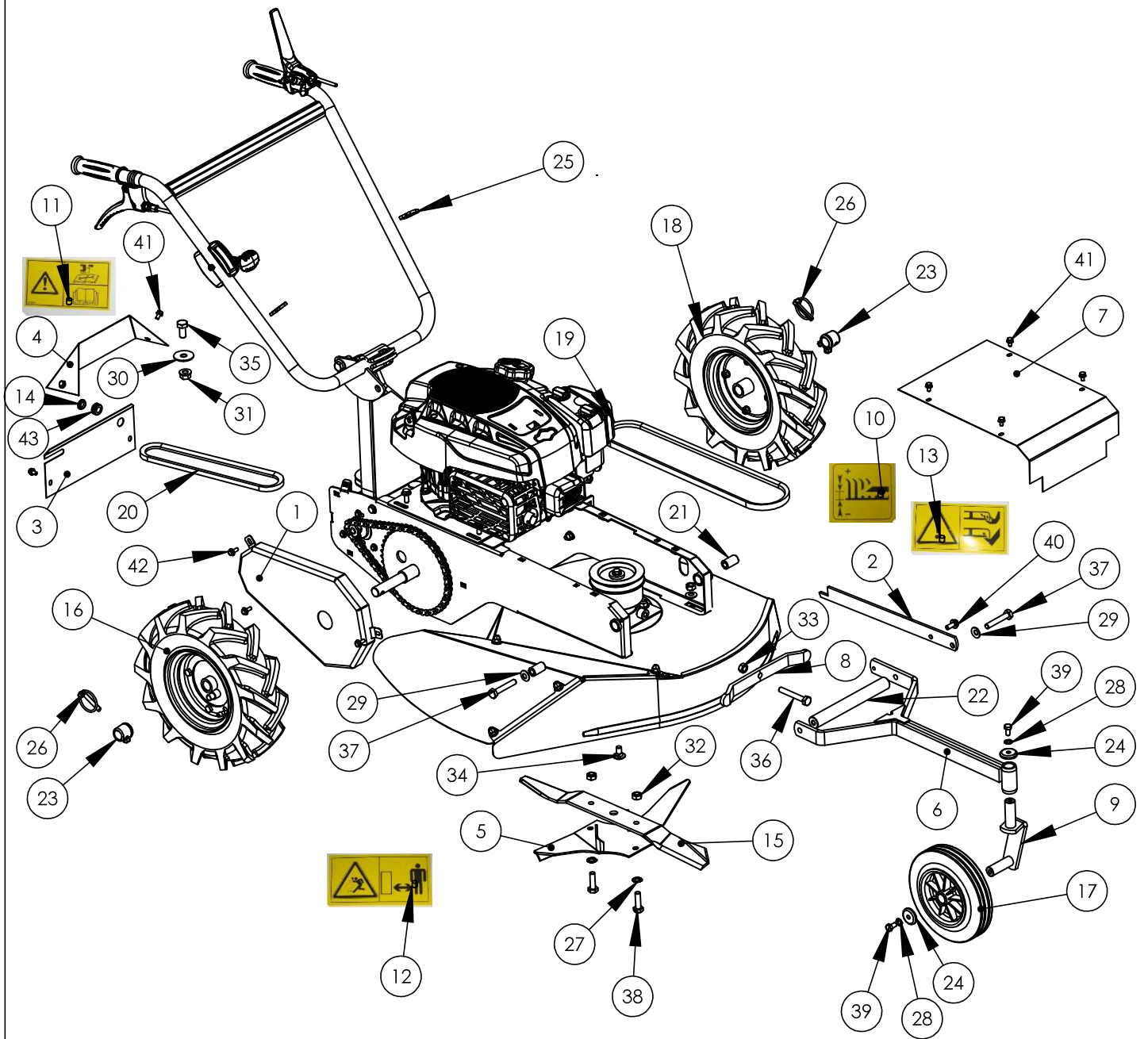


Pièces de rechange Spare parts list

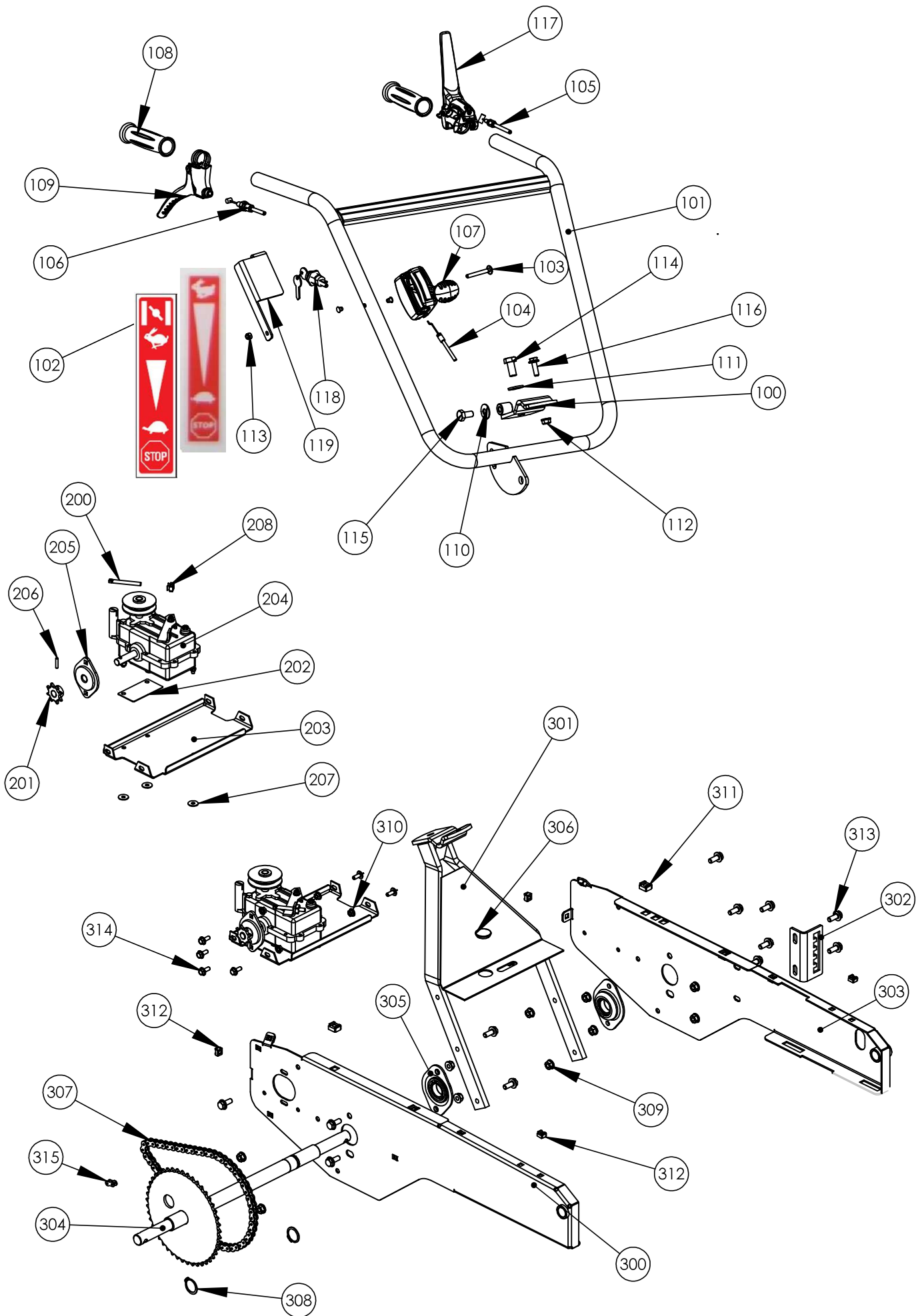
KE0001****



***FAUCHEUSE BROYEUSE
BRUSH CUTTER***



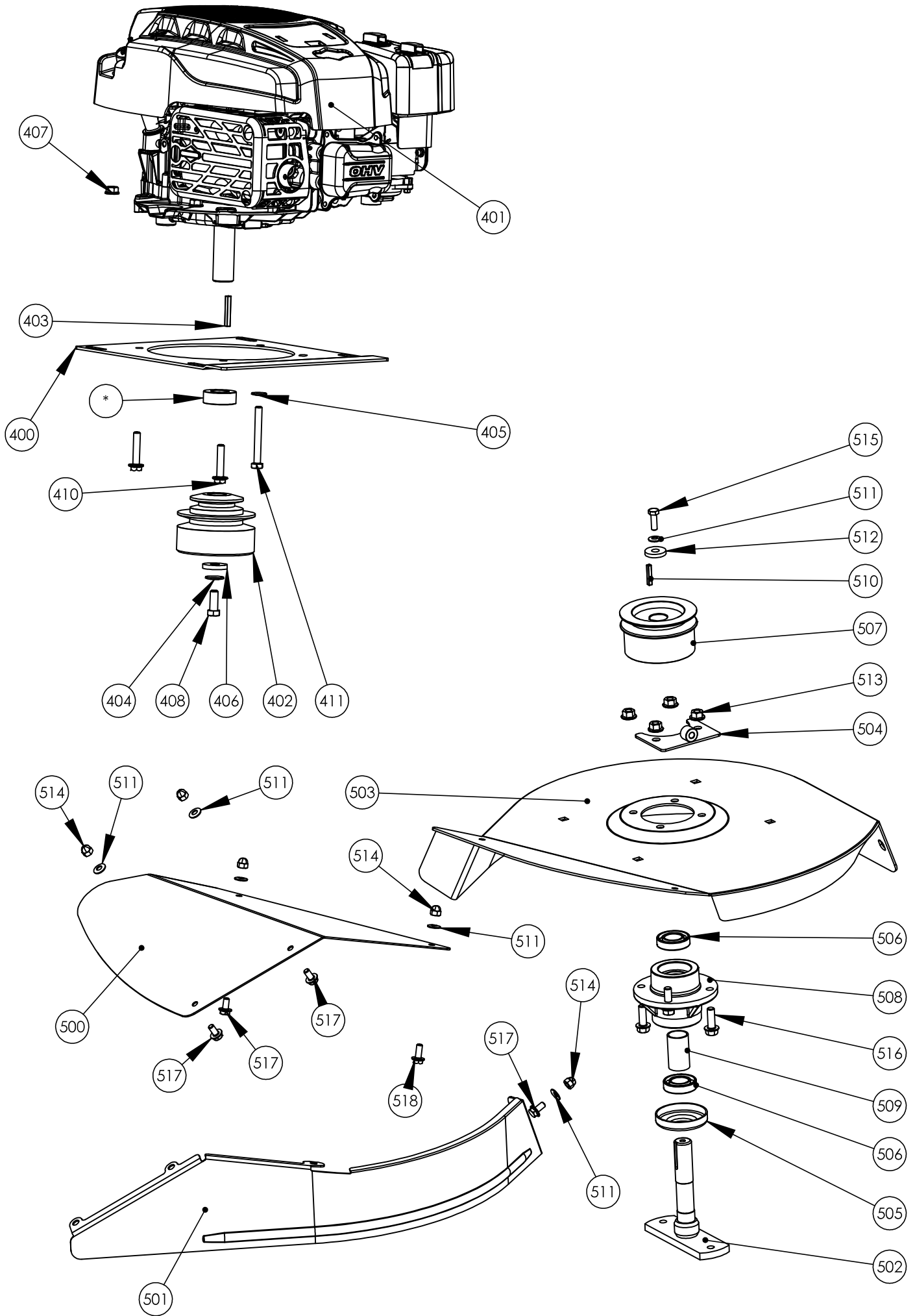
Rep N°	Ref.	Désignation	Description	Qté
1	KE02011619	CARTER DE CHAINE NOIR	BLACK CHAIN CARTER	1
2	KE02011614	PLAT MAGANO LEVIER DE RELEVAGE ZN	ADJUST LEVEL LEVER	1
3	KE02011610	CAPOT ARRIERE NOIR	BLACK REAR CARTER	1
4	KE02011604	CAPOT ARR SUP NOIR	BLACK HIGH REAR CARTER	1
5	KE02011603	EJECTEUR NOIR	VENTILATING PLATE	1
6	KE02011110	TRAIN AVANT GRIS	GREY FRONT WHEEL SUPPORT	1
7	KE02010604	CAPOT AVANT ROUGE	RED FRONT CARTER	1
8	KE02010603	TENDEUR DE COUPOLE ROUGE	PLATE FOR BLADE GUARD	1
9	KE02010202	CHAPE DE ROUE GAUCHE ZN	LEFT AXLE FRONT WHEEL	1
10	K503000023-	AUTOCOLLANT HAUTEUR DE COUPE	STICKER "WORK LEVEL"	1
11	K503000015-	AUTOCOLLANT LIRE LA NOTICE	STICKER " READ THE MANUAL BEFORE USE"	1
12	K503000003-	AUTOCOLLANT DISTANCE DE SECURITE	STICKER "SECURITY DISTANCE"	1
13	K503000002-	AUTOCOLLANT DANGER SECTIONNEMENT	STICKER "CAUTION : CUTTING PARTS"	1
14	K341000027	OPERCULE Ø 17.3	CAP Ø17.3	1
15	K320020010	LAME DE 53 CM	BLADE	1
16	K309000019	ROUE DE 350 DROITE	RIGHT BACK WHEEL	1
17	K309000008	ROUE DE 200	FRONT WHEEL	1
18	K309000002	PNEU DE 350	TYRE	2
18	K309000026	CHAMBRE A AIR DE 350	AIR TUBE	2
18	K309000024	ROUE DE 350 GAUCHE	LEFT BACK WHEEL	1
19	K306030026	COURROIE DE LAME LA 41	BLADE V-BELT LA41	1
20	K306030017	COURROIE Z MBL 25.5	V-BELT Z MBL 25.5	1
21	K302020017	ENTRETOISE ARTICULATION	ROUND SPACER	2
22	K302010039	ETIRE DE 25 LG 210	CYLINDER OF 25 LG 210	1
23	K302000005	BUTEE D'ENTRAINEMENT DE ROUE	3/4 TURN NUT	2
24	K302000001	RONDELLE PROTECTION AXE ROUE AVANT	PROTECT WASHER	2
25	K301060001	COLLIER PLASTIQUE	COLLAR	2
26	K301050001	CLIPS DE 8 x 40	CIRCLIPS 8 X 40	2
27	K300441001	RONDELLE EVENTAIL AZ 10 ZN	WASHER AZ 10 ZN	2
28	K300440801	RONDELLE AZ 8	WASHER AZ 8	2
29	K300431001	RONDELLE CONTACT M 10	WASHER M10	6
30	K300401204	RONDELLE PLATE 40 x12.5 x 2.5 ZN	PLATE WASHER 40 x 12.5 x 2.5 ZN	1
31	K300261201	ECROU H M12 EMB CR	NUT H M12 NOTCHED SHOULDER	1
32	K300211001	ECROU FREIN M10	BLOCKING NUT M10	2
33	K300201001	ECROU HU M10	NUT HU M10	5
34	K300081002	BOULON TRCC 10 x 20	SCREW TRCC 10 x 20	4
35	K300011204	VIS TH 12 x 25 ZN	SCREW TH 12 X 25 ZN	1
36	K300011014	VIS TH 10 x 70 ZN	SCREW TH 10 X 70 ZN	1
37	K300011013	VIS TH 10 x 60 ZN	SCREW H 10 X 60	2
38	K300011010	VIS HM 10 x 35	SCREW HM 10 x 35	2
39	K300010814	VIS H M8 x 16	SCREW H M8 X 16	2
40	K300010802	VIS EMB CR 8 x 20	SCREW H NOTCHED SHOULDER 8 X 20	5
41	K300010617	VIS H 6 x 10 EMB CR	SCREW H 6 X 10 NOTCHED SHOULDER	8
42	K300010601	VIS H 6 x 16 EMB CR	SCREW H NOTCHED SHOULDER 6 X 16	3
43	K301000005	PASSE FIL	WIRE PROTECT	1



Rep N°	Ref.	Désignation	Description	B&S 850/ Qté	HONDA /Qté	EA190 V/Qté	RV225 /Qté	B&S INSTART /Qté	MA 190V/ Qté	RV170 /Qté
100	KE02011617	PLAQUE SERRAGE MANCHERON	HANDLEBAR CLAMP PLATE	1	1	1	1	1	1	1
101	KE02011109	MANCHERON GRIS ALU	GREY ALU HANDLEBAR	1	1	1	1	1	1	1
102	K503000036-	ETIQUETTE GAZ (SS STOP AVEC STARTER)	STICKER THROTTLE (WITHOUT STOP AND WITH STARTER)	-	1	-	-	-	-	-
102	K503000037-	ETIQU. GAZ (SS STOP SS START)	STICKER THROTTLE	1	-	-	1	1	-	-
103	K300080603	BOULON TRCC 6 x 45	SCREW TRCC 6 X 45	1	1	-	1	-	-	-
103	K300080605	VIS TRCC 6 x 50	SCREW TRCC 6 x 50	-	-	-	-	1	-	-
103	K341000011	OBTURATEUR 10 x 7 x 6.5	CAP 10 X 7 X 6.5	-	-	2	-	-	2	2
104	K308040011	CABLE COMMANDE DES GAZ	THROTTLE CABLE	-	1	-	-	1	-	-
104	K308040012	CABLE COMMANDE DES GAZ	THROTTLE CABLE	1	-	-	1	-	-	-
105	K308020013	CABLE HOMME MORT	DEAD MAN CABLE	1	1	1	-	1	1	1
106	K308010012	CABLE EMBRAYAGE AVANCE	FORWARD CLUTCH CABLE	1	1	1	1	1	1	1
107	K307020010	POIGNEE GAZ	THROTTLE LEVER	1	1	-	1	1	-	-
108	K307020005	POIGNEE CAOUTCHOUC DIAM 25	GRIP	2	2	2	2	2	2	2
109	K307010013	LEVIER SIMPLE COURSE DE 25 MAV	LEVER	1	1	1	1	1	1	1
110	K300431002	RONDELLE CONTACT LARGE DE 10	WASHER D 10	1	1	1	1	1	1	1
111	K300401201	RONDELLE PLATE 27 x 12.5 x 2.5	WASHER 27 x 12.5 x 2.5	1	1	1	1	1	1	1
112	K300260801	ECROU H M8 EMB CR	NUT H M8 NOTCHED SHOULDER	1	1	1	1	1	1	1
113	K300210601	ECROU FREIN H M6	BLOCKING NUT M6	1	1	-	1	1	-	-
114	K300011204	VIS TH 12 x 25 ZN	SCREW TH 12 X 25 ZN	1	1	1	1	1	1	1
115	K300011008	VIS TH 10 x 20 ZN	SCREW TH 10 X 25 ZN	1	1	1	1	1	1	1
116	K300010801	VIS H EMB CR 8 x 25	SCREW H NOTCHED SHOULDER 8 X 25	1	1	1	1	1	1	1
117	0307010044	LEVIER COUPE CIRCUIT MOTEUR	CUT OFF ENGINE LEVER	-	-	-	1	-	-	-
117	K307010016	LEVIER HOMME MORT SACCON	ENGINE BRAKE LEVER	1	1	1	-	1	1	1
118	0350070006	FAISCEAU DEMARRAGE BS IN START		-	-	-	-	1	-	-
119	KE02010211	SUPPORT CONTACTEUR	CONTACTOR SUPPORT	-	-	-	-	1	-	-

Rep N°	Ref.	Désignation	Description	Qté
200	KE04010018	VIS DE BIELETTE EMBRAY.BOTIER	CLUTCH SCREW	1
201	KE04010011	PIGNON 8 DENTS	SPROCKET 8 TEETH	1
202	KE03010016	CALE DE BOTIER REDUCTEUR	GEARBOX SUPPORT	1
203	KE02011608	SUPPORT BOITIER REDUCTEUR NOIR	BLACK GEARBOX SUPPORT	1
204	K306040006	BOITIER REDUCTEUR	GEARBOX	1
205	K306010010	PALIER FLASQUE TOLE DIAM 12	SELF-ALIGNING BEARING UNIT	1
206	K301090003	GOUPILLE ROULEE 4 x 20	ROLLED COTTER 4 X 20	1
207	K300400601	RONDELLE PLATE 18 x 6.25 x 1.2 ZN	WASHER 18 X 6.25 X 1.2 ZN	3
208	K300230602	ECROU RAPID M6 C 4806 C	NUT RAPID M6 C 4806C	1

Rep N°	Ref.	Désignation	Description	Qté
300	KE02010602	FLANC DROIT ROUGE	RED RIGHT CARTER	1
301	KE02011618	SUPPORT MANCHERON NOIR	BLACK HANDLEBAR SUPPORT	1
302	KE02011602	CREMAILLIERE HAUTEUR DE COUPE ZN	CUT ADJUST LEVEL RACK	1
303	KE02010601	FLANC GAUCHE ROUGE	RED LEFT CARTER	1
304	KE02010207	ARBRE - PIGNON TRANSMISSION	AXLE	1
305	KE01010001	PALIER AVEC RLT. DE 25 ASSEMBLE	BEARING Ø 25	2
306	K341000005	CAPSULE PLASTIQUE	PLASTIC CAP	1
307	K306020005	CHAINE 12.7 56 MAILLONS	CHAIN 12.7 56 LINKS	1
308	K301070007	CIRCLIPS EXTERIEUR DE 25	External retaiting ring 25	2
309	K300260801	ECROU H M8 EMB CR	NUT H M8 NOTCHED SHOULDER	12
310	K300260601	ECROU H M6 Z EMB CR	NUT H M6 Z NOTCHED SHOULDER	6
311	K300230801	ECROU RAPID M8 C 4808 A	NUT RAPID M8 C 4808 A	4
312	K300230601	ECROU RAPID M 6 C 4806B	NUT RAPID M6 C 4806B	11
313	K300010802	VIS EMB CR 8 x 20	SCREW H NOTCHED SHOULDER 8 X 20	12
314	K300010601	VIS H 6 x 16 EMB CR	SCREW H NOTCHED SHOULDER 6 X 16	6
315	K003030001	ATTACHE RAPIDE 12.7 S 5	QUICK FASTENER	1



Rep N°	Ref.	Désignation	Description	B&S 850/Qté	GCV160/Qté	EA190V /Qté	RV225/Qté	B&S INSTAR T/Qté	GCVX20 0 /Qté	MA190 V /Qté	RV170/Qté
400	KE02011611	SUPPORT MOTEUR NOIR	BLACK ENGINE SUPPORT	1	-	1	1	1	-	1	1
400	KE02011616	SUPPORT MOTEUR HONDA GCV160 NOIR	HONDA BLACK ENGINE SUPPORT	-	1	-	-	-	1	-	-
401	K330030107-	MOTEUR SUBARU EA190V*	SUBARU ENGINE EA190V	-	-	1	-	-	-	-	-
401	0330091005	RV170	RV170	-	-	-	-	-	-	-	1
401	K330010102	MOTEUR HONDA GCV 160 FREIN *	ENGINE HONDA GCV 160	-	1	-	-	-	-	-	-
401	0330091010	RV225		-	-	-	1	-	-	-	-
401	0330121001	YAMAHA MA190V - 75010		-	-	-	-	-	-	1	-
401	0330021035	B&S INSTART		-	-	-	-	1	-	-	-
401	0330011050	HONDA GCVx200 xNOIRx		-	-	-	-	-	1	-	-
401	0330021038	BS 850 SERIES I/C V.léger - V2		1	-	-	-	-	-	-	-
402	K302020031	ENTRETOISE POULIE MOTEUR HONDA	ROUND SPACER FOR ENGINE PULLEY	-	1	-	-	-	1	-	-
402	K302030024	POULIE MOTEUR	MOTOR PULLEY	1	1	1	1	1	1	1	1
403	K301040002	CLAVETTE B.DROIT 4.76 x 4.76 x 37	KEY 4.76 X 4.76 X 37	1	1	1	1	1	1	1	1
404	K300431001	RONDELLE CONTACT M 10	WASHER M10	1	1	1	1	1	1	1	1
405	K300430801	RONDELLE CONTACT M8	WASHER M8	1	-	-	-	1	-	-	-
406	K300401103	RONDELLE PLATE 30 x 11 x 5 ZN	WASHER 30 X 11 X 5 ZN	1	1	1	1	1	1	1	1
407	K300260801	ECROU H M8 EMB CR	NUT H M8 NOTCHED SHOULDER	3	3	4	2	3	3	4	-
408	K300060302	VIS TH3/8 UNF1 ZING	SCREW TH 3/8 UNF1 ZN	1	1	1	1	1	1	1	1
409	0300010816	VIS H 8x20 Z EMB CR	SCREW H M8X20 Z	-	-	-	2	-	-	-	3
410	K300010803	VIS H EMB CR 8 x 40	SCREW H NOTCHED SHOULDER 8 X 40	2	4	4	2	2	4	4	-
411	0300010822	VIS H 8x70/22 Z CL8.8 DIN 931	Screw HM8x70z DIN 931 - ISO 4014	1	-	-	-	-	-	-	-
411	0300010811	Vis M8x60/22 Z DIN 931 cl 8.8	Screw M8x60/22 Z DIN 931 cl 8.8	-	-	-	-	1	-	-	-

*Le service après vente : s'adresser au réseau motoriste concerné
For the engine's spare parts, please contact the motor's retailers network

Rep N°	Ref	Désignation	Description	Qté
500	KN02011903	TÔLE ENDAINEUR GRIS RAL 7021	GREY RAL 7021 SIDE DEFLECTOR	1
501	KN02011902	BANDEAU TONDEUSE GRIS RAL 7021	GREY RAL 7021 FRONT DEFLECTOR	1
502	KE04020025	ARBRE PORTE LAME OR AP CLAVETE	BLADE SHAFT	1
503	KE02011901	COUPOLE GRIS ANTHACITE RAL7021	BLADE GUARD GREY RAL 7021	1
504	KE02010210	PLATINE TENSION DE COURROIE ZN	BELT TENSION PLATE	1
505	KE02010208	RONDELLE EMBOUTIE PROTECTION MOYEU DE LAME	PROTECTION WASHER	1
506	K306010016	ROULEMENT 6005 2 RS 25 x 47 x 12	BEARING 6005 2 RS	2
507	K302030085	POULIE FREIN USINEE CLAVETEE DIAM 110	BRAKE PULLEY DIAM 110	1
508	K302030012	PALIER DE LAME	BLADE BEARING	1
509	K302020085	TUBE ENTRETOISE PALIER LAME	TUBE SPACER	1
510	K301040014	CLAVETTE 5 x 5 x 30	KEY 5 X 5 X 30	1
511	K300430801	RONDELLE CONTACT M8	WASHER M8	6
512	K300401103	RONDELLE PLATE 30 x 11 x 5 ZN	WASHER 30 X 11 X 5 ZN	1
513	K300261001	ECROU H M10 EMB CR	NUT H M10 NOTCHED SHOULDER	4
514	K300220802	ECROU BORGNE M8	NUT M8	5
515	K300090804	VIS A GAUCHE 8 x 25	SCREW Z 8 X 25	1
516	K300011026	VIS H 10 x 30 EMB CR	Screw HM 10x30 Z Emb cr	4
517	K300010830	VIS H 8 x 16 EMB CR	SCREW H 8 x 16 NOTCHED SHOULDER	4
518	K300010802	VIS EMB CR 8 x 20	SCREW H NOTCHED SHOULDER 8 X 20	1