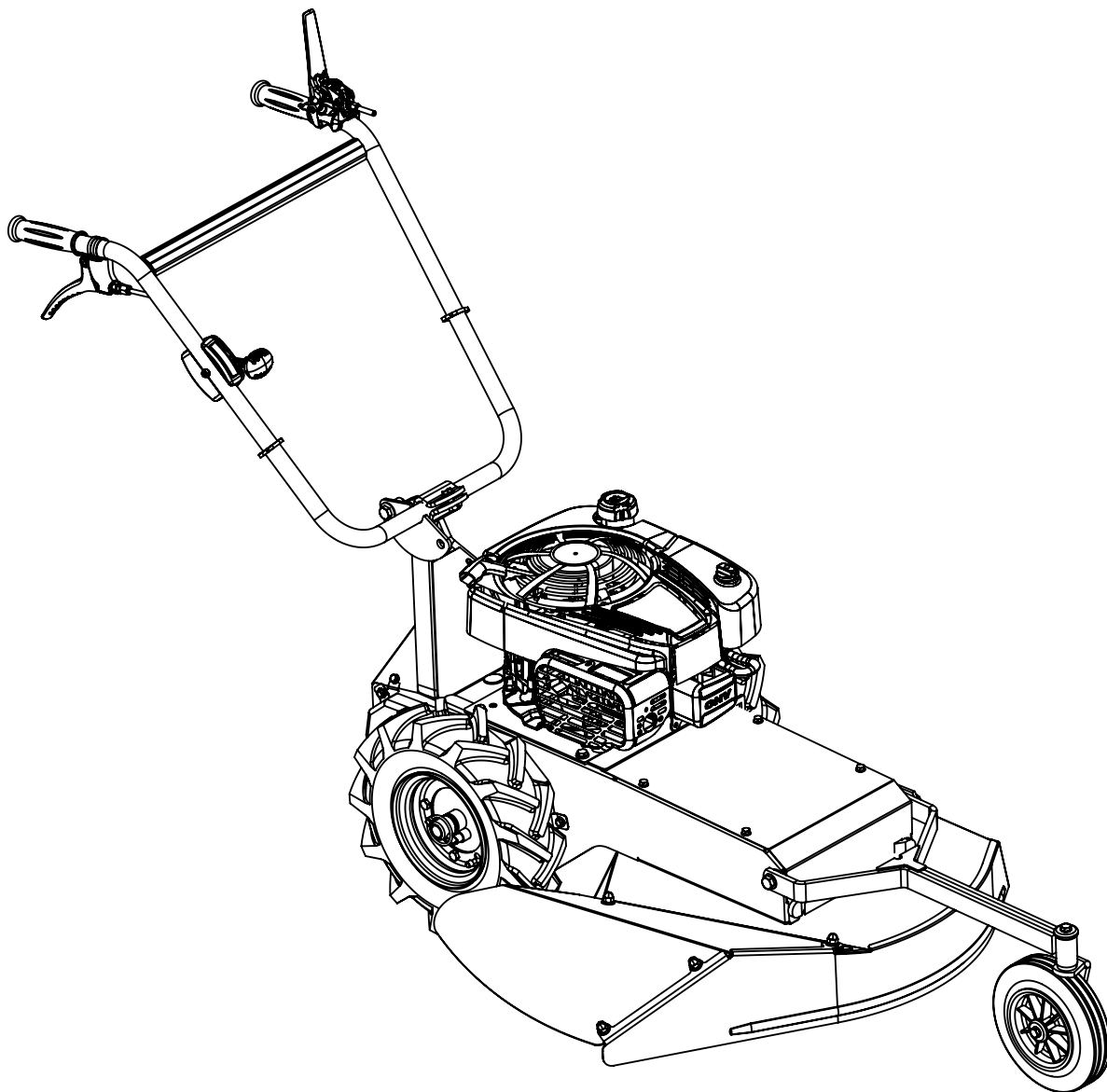
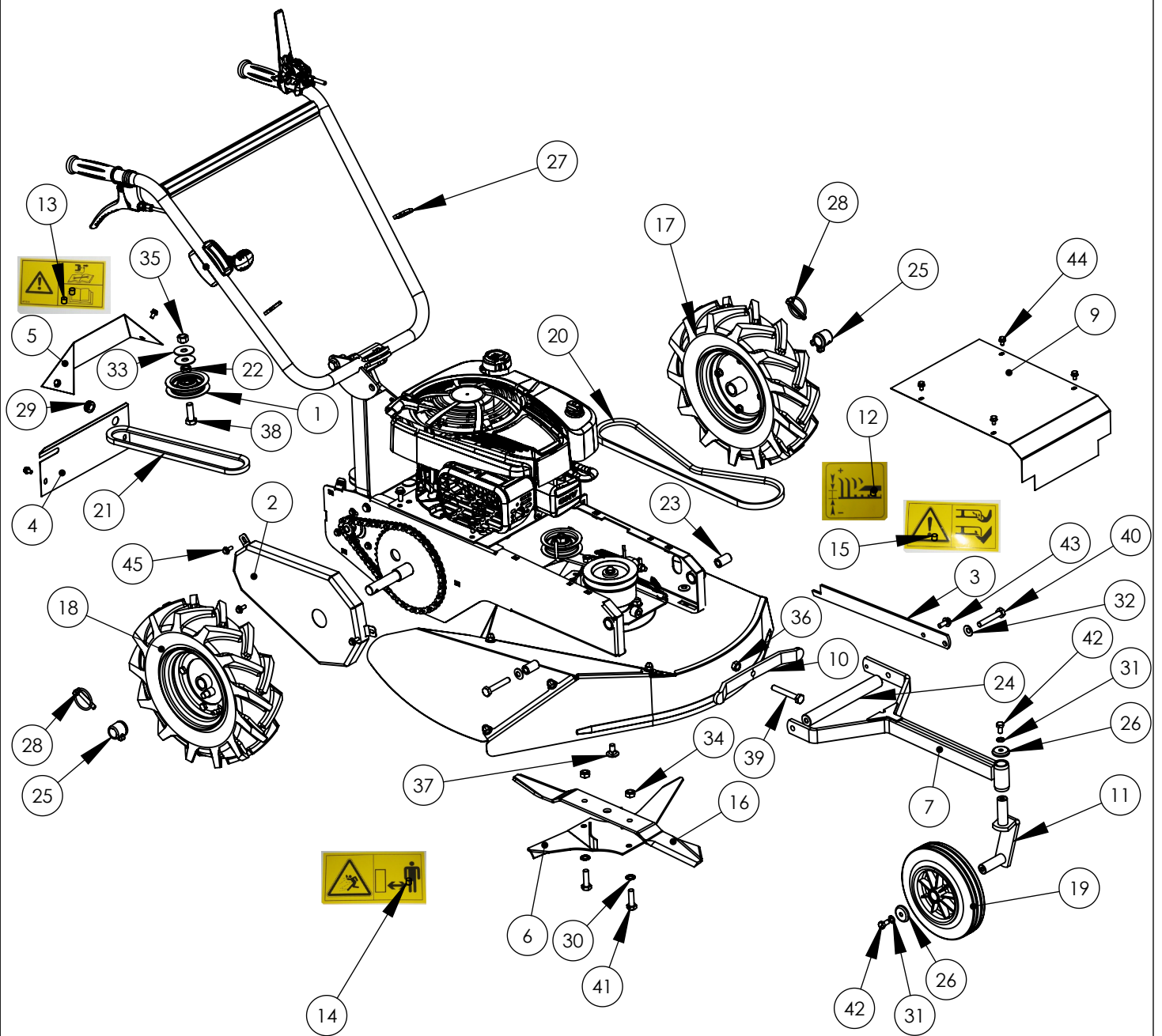


Pièces de rechange Spare parts list

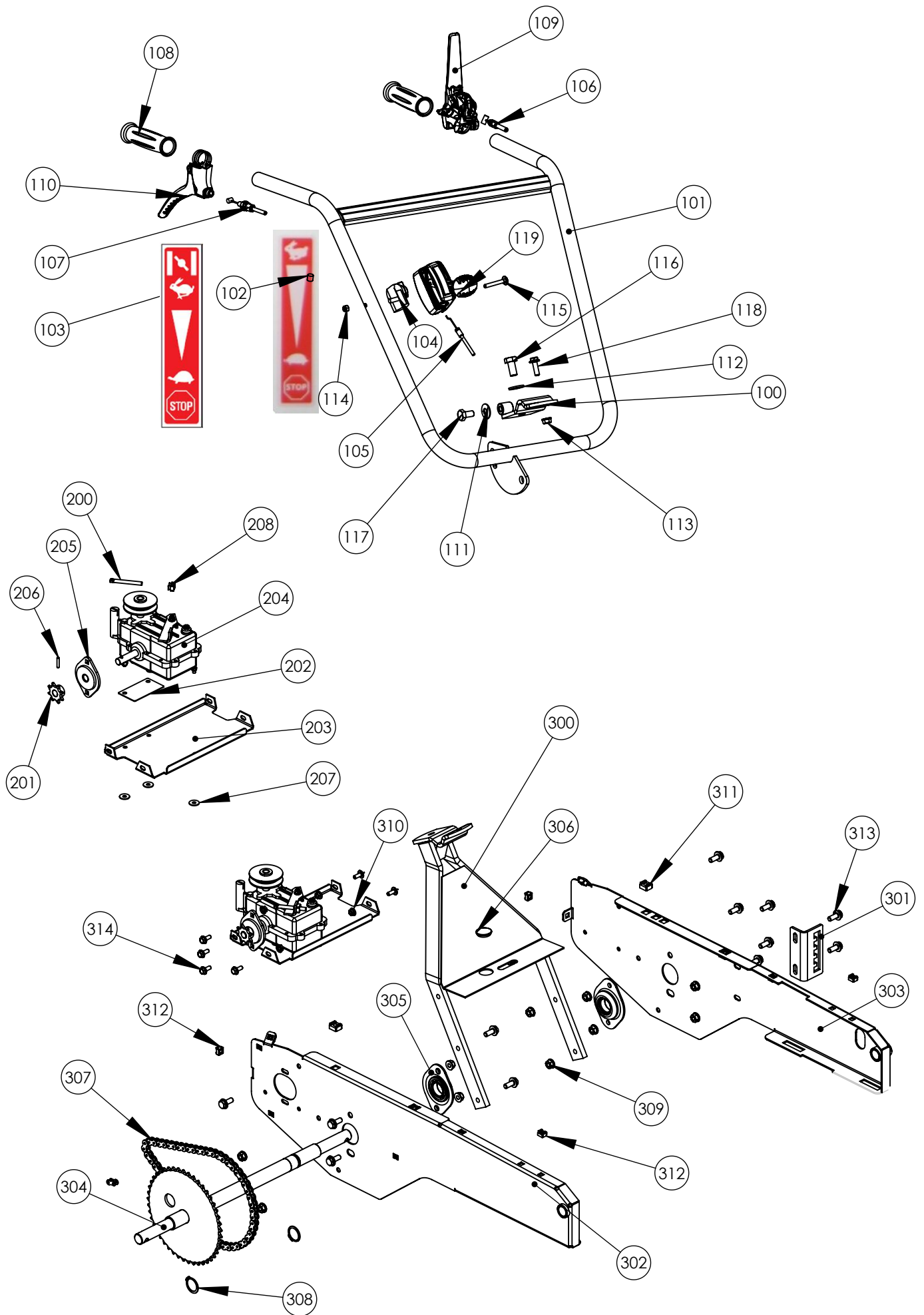
KE0004****



***FAUCHEUSE BROYEUSE
BRUSH CUTTER***



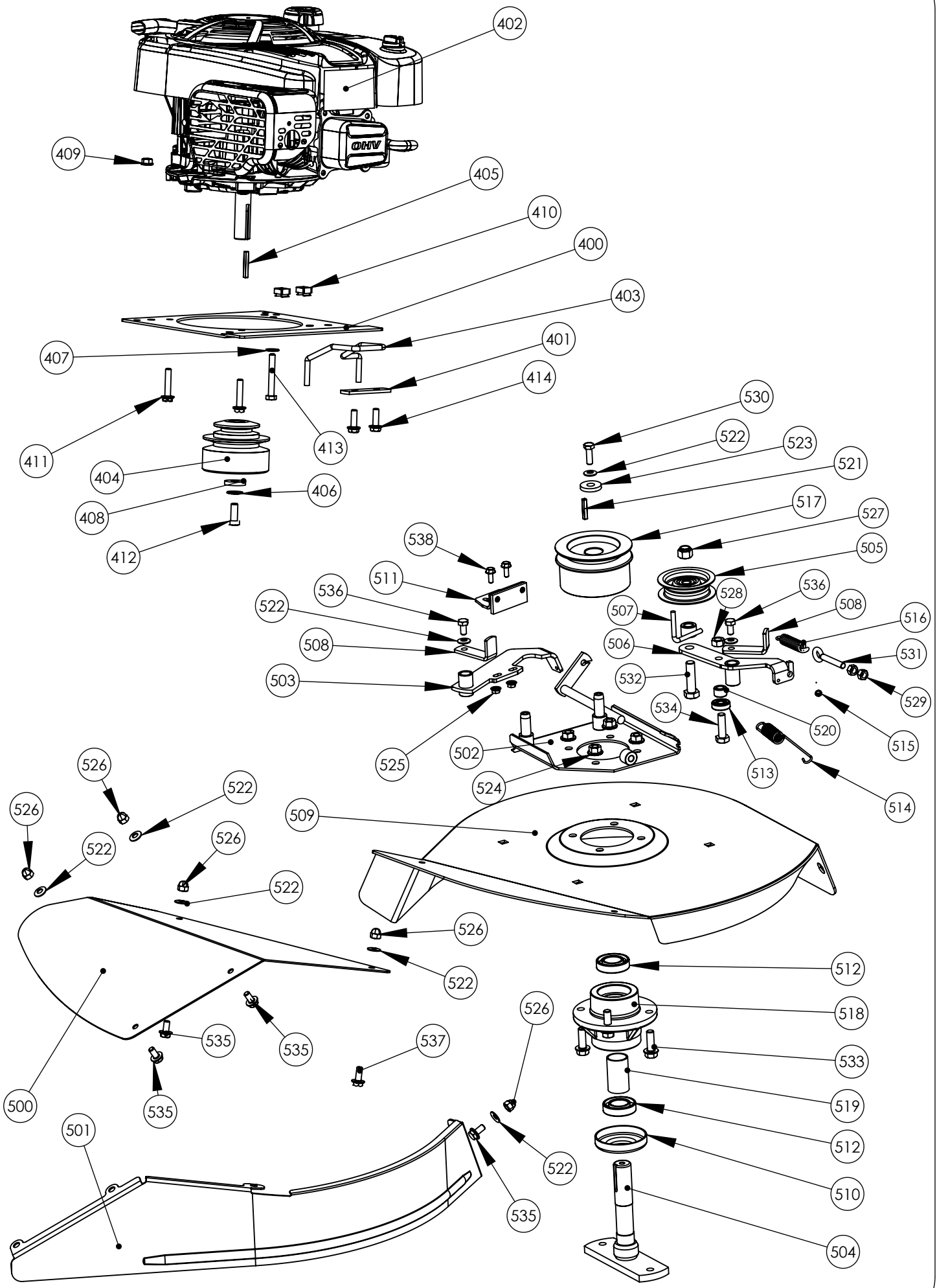
Rep N°	Ref.	Désignation	Description	Qté
1	KE03010003	GALET GORGE PLATE 19 mm	RUNNER 19 mm	1
2	KE02011619	CARTER DE CHAINE NOIR	BLACK CHAIN CARTER	1
3	KE02011614	PLAT MAGANO LEVIER DE RELEVAGE ZN	ADJUST LEVEL LEVER	1
4	KE02011610	CAPOT ARRIERE NOIR	BLACK REAR CARTER	1
5	KE02011604	CAPOT ARR SUP NOIR	BLACK HIGH REAR CARTER	1
6	KE02011603	EJECTEUR NOIR	VENTILATING PLATE	1
7	KE02011110	TRAIN AVANT GRIS	GREY FRONT WHEEL SUPPORT	1
8	KE02011105	BANDEAU PROTECTION TONDEUSE GRIS CLAIR	LIGHT GREY FRONT DEFLECTOR	1
9	KE02010604	CAPOT AVANT ROUGE	RED FRONT CARTER	1
10	KE02010603	TENDEUR DE COUPOLE ROUGE	PLATE FOR BLADE GUARD	1
11	KE02010202	CHAPE DE ROUE GAUCHE ZN	LEFT AXLE FRONT WHEEL	1
12	K503000023-	AUTOCOLLANT HAUTEUR DE COUPE	STICKER "WORK LEVEL"	1
13	K503000015-	AUTOCOLLANT LIRE LA NOTICE	STICKER " READ THE MANUAL BEFORE USE"	1
14	K503000003-	AUTOCOLLANT DISTANCE DE SECURITE	STICKER "SECURITY DISTANCE"	1
15	K503000002-	AUTOCOLLANT DANGER SECTIONNEMENT	STICKER "CAUTION : CUTTING PARTS"	1
16	K320020010	LAME DE 53 CM	BLADE	1
17	K309000024	ROUE DE 350 GAUCHE	LEFT BACK WHEEL	1
18	K309000019	ROUE DE 350 DROITE	RIGHT BACK WHEEL	1
18	K309000026	CHAMBRE A AIR DE 350	AIR TUBE	2
18	K309000002	PNEU DE 350	TYRE	2
19	K309000008	ROUE DE 200	FRONT WHEEL	1
20	K306030027	COURROIE DE LAME	BLADE V-BELT	1
21	K306030017	COURROIE Z MBL 25.5	V-BELT Z MBL 25.5	1
22	K302020023	ENTRETOISE 20 x 12.2 x 5.5 ZN	SPACER 20 x 12.2 x 5.5 ZN	1
23	K302020017	ENTRETOISE ARTICULATION	ROUND SPACER	2
24	K302010039	ETIRE DE 25 LG 210	CYLINDER OF 25 LG 210	1
25	K302000005	BUTEE D'ENTRAINEMENT DE ROUE	3/4 TURN NUT	2
26	K302000001	RONDELLE PROTECTION AXE ROUE AVANT	PROTECT WASHER	2
27	K301060001	COLLIER PLASTIQUE	COLLAR	2
28	K301050001	CLIPS DE 8 x 40	CIRCLIPS 8 X 40	2
29	K301000005	PASSE FIL	WIRE PROTECT	1
30	K300441001	RONDELLE EVENTAIL AZ 10 ZN	WASHER AZ 10 ZN	2
31	K300440801	RONDELLE AZ 8	WASHER AZ 8	2
32	K300431001	RONDELLE CONTACT M 10	WASHER M10	6
33	K300401204	RONDELLE PLATE 40 x12.5 x 2.5 ZN	PLATE WASHER 40 x 12.5 x 2.5 ZN	2
34	K300211001	ECROU FREIN M10	BLOCKING NUT M10	2
35	K300201201	ECROU HU M12 ZN	NUT HU M12 ZN	1
36	K300201001	ECROU HU M10	NUT HU M10	1
37	K300081002	BOULON TRCC 10 x 20	SCREW TRCC 10 x 20	4
38	K300011205	VIS TH 12 x 35 ZN	SCREW TH 12 X 35 ZN	1
39	K300011014	VIS TH 10 x 70 ZN	SCREW TH 10 X 70 ZN	1
40	K300011013	VIS TH 10 x 60 ZN	SCREW H 10 X 70	2
41	K300011010	VIS HM 10 x 35	SCREW HM 10 x 35	2
42	K300010814	VIS H M8 x 16	SCREW H M8 X 16	2
43	K300010802	VIS EMB CR 8 x 20	SCREW H NOTCHED SHOULDER 8 X 20	5
44	K300010617	VIS H 6 x 10 EMB CR	SCREW H 6 X 10 NOTCHED SHOULDER	8
45	K300010601	VIS H 6 x 16 EMB CR	SCREW H NOTCHED SHOULDER 6 X 16	3



Rep N°	Ref.	Désignation	Description	Qté	
100	KE02011617	PLAQUE SERRAGE MANCHERON	HANDLEBAR CLAMP PLATE	1	
101	KE02011111	MANCHERON SUBARU GRIS	SUBARU GREY HANDLEBAR	1	SUBARU
101	KE02011109	MANCHERON GRIS	GREY HANDLEBAR	1	
102	K503000031-	AUTOCOLLANT ACCELERATEUR STOP SANS STARTER	STICKER "ENGINE SPEED VARIATION" WITHOUT STARTER	1	BS 850 SERIES
103	K503000005-	AUTOCOLLANT ACCELERATEUR STOP + STARTER	STICKER "SPEED VARIATION" WITH STARTER	1	KOHLER
104	K330030202-	SWITCH MOTEUR SUBARU	SWITCH SUBARU ENGINE	1	SUBARU
105	K308040011	CABLE COMMANDE DES GAZ	THROTTLE CABLE	1	BS 850 SERIES
105	K308040019	CABLE COMMANDE DES GAZ	THROTTLE CABLE	1	KOHLER
106	K308020011	CABLE EMBR DE LAME	BLADE CLUTCH CABLE	1	
107	K308010012	CABLE EMBRAYAGE AVANCE	FORWARD CLUTCH CABLE	1	
108	K307020005	POIGNEE CAOUTCHOUC DIAM 25	GRIP	2	
109	K307010014	LEVIER AVEC SECURITE	BLADE CLUTCH LEVER	1	
110	K307010013	LEVIER SIMPLE COURSE DE 25 MAV	LEVER	1	
111	K300431002	RONDELLE CONTACT LARGE DE 10	WASHER D 10	1	
112	K300401201	RONDELLE PLATE 27 x 12.5 x 2.5	WASHER 27 x 12.5 x 2.5	1	
113	K300260801	ECROU H M8 EMB CR	NUT H M8 NOTCHED SHOULDER	1	
114	K300210601	ECROU FREIN H M6	BLOCKING NUT M6	1	
115	K300080603	BOULON TRCC 6 x 45	SCREW TRCC 6 X 45	1	
116	K300011204	VIS TH 12 x 25 ZN	SCREW TH 12 X 25 ZN	1	
117	K300011008	VIS TH 10 x 20 ZN	SCREW TH 10 X 25 ZN	1	
118	K300010801	VIS H EMB CR 8 x 25	SCREW H NOTCHED SHOULDER 8 X 25	1	
119	K307020010	POIGNEE GAZ	THROTTLE LEVER	1	

Rep N°	Ref.	Désignation	Description	Qté	
200	KE04010018	VIS DE BIELETTE EMBRAY. BOITIER	CLUTCH SCREW	1	
201	KE04010011	PIGNON 8 DENTS	SPROCKET 8 TEETH	1	
202	KE03010016	CALE DE BOTIER REDUCTEUR	GEARBOX SUPPORT	1	
203	KE02011608	SUPPORT BOITIER REDUCTEUR NOIR	BLACK GEARBOX SUPPORT	1	
204	K306040006	BOITIER REDUCTEUR	GEARBOX	1	
205	K306010010	PALIER FLASQUE TOLE DIAM 12	SELF-ALIGNING BEARING UNIT	1	
206	K301090003	GOUPILLE ROULEE 4 x 20	ROLLED COTTER 4 X 20	1	
207	K300400601	RONDELLE PLATE 18 x 6.25 x 1.2 ZN	WASHER 18 X 6.25 X 1.2 ZN	3	
208	K300230602	ECROU RAPID M6 C 4806 C	NUT RAPID M6 C 4806C	1	

Rep N°	Ref.	Désignation	Description	Qté	
300	KE02011618	SUPPORT MANCHERON NOIR	BLACK HANDLEBAR SUPPORT	1	
301	KE02011602	CREMAILLE HAUTEUR DE COUPE ZN	CUT ADJUST LEVEL RACK	1	
302	KE02010602	FLANC DROIT ROUGE	RED RIGHT CARTER	1	
303	KE02010601	FLANC GAUCHE ROUGE	RED LEFT CARTER	1	
304	KE02010207	ARBRE - PIGNON TRANSMISSION	AXLE	1	
305	KE01010001	PALIER AVEC RLT. DE 25 ASSEMBLE	BEARING Ø 25	2	
306	K341000005	CAPSULE PLASTIQUE	PLASTIC CAP	1	
307	K306020005	CHAINE 12.7 56 MAILLONS	CHAIN 12.7 56 LINKS	1	
308	K301070007	CIRCLIPS EXTERIEUR DE 25	External retaining ring 25	2	
309	K300260801	ECROU H M8 EMB CR	NUT H M8 NOTCHED SHOULDER	12	
310	K300260601	ECROU H M6 Z EMB CR	NUT H M6 Z NOTCHED SHOULDER	6	
311	K300230801	ECROU RAPID M8 C 4808 A	NUT RAPID M8 C 4808 A	4	
312	K300230601	ECROU RAPID M 6 C 4806B	NUT RAPID M6 C 4806B	11	
313	K300010802	VIS EMB CR 8 x 20	SCREW H NOTCHED SHOULDER 8 X 20	12	
314	K300010601	VIS H 6 x 16 EMB CR	SCREW H NOTCHED SHOULDER 6 X 16	6	
315	K003030001	ATTACHE RAPIDE 12.7 S 5	QUICK FASTENER	1	



Rep N°	Ref.	Désignation	Description	Qté	
400	KE02041601	SUPPORT MOTEUR KOHLER NOIR	BLACK KOHLER MOTOR SUPPORT	1	
400	KE02021601	SUPPORT MOTEUR B&S NOIR	BLACK B&S ENGINE SUPPORT	1	BS 850 SERIES
401	KE02020211	PLAT FIXATION PLAQUE DE DEB FIL LASER	BELT GUIDE PLAT FIXATION	1	
402	K330030106-	MOTEUR SUBARU EA190V*	SUBARU ENGINE EA190V*	1	SUBARU
402	K330020108	MOTEUR SANS FREIN BS 850 SERIES*	MOTOR WITHOUT BRAKE BS 850 SERIES*	1	BS 850 SERIES
402	K330040101	MOTEUR KOHLER XT-7*	MOTOR KOHLER XT-7*	1	KOHLER
403	K305030002	PLAQUE DE DEBRAYAGE	CLUTCH PLATE	1	
404	K302030024	POULIE MOTEUR	MOTOR PULLEY	1	
405	K301040002	CLAVETTE B.DROIT 4.76 x 4.76 x 37	KEY 4.76 X 4.76 X 37	1	
406	K300431001	RONDELLE CONTACT M 10	WASHER M10	1	
407	K300430801	RONDELLE CONTACT M8	WASHER M8	1	BS 850 SERIES
408	K300401103	RONDELLE PLATE 30 x 11 x 5 ZN	WASHER 30 X 11 X 5 ZN	1	
409	K300260801	ECROU H M8 EMB CR	NUT H M8 NOTCHED SHOULDER	3	
410	K300230802	ECROU ' RAPID' DE 8 C4808 B	NUT RAPID M8 C 4808B	2	
411	K300091003	VIS AUTOFORMEUSE EMB CR10x20	SCREW AUTOFROM. NOTCHED SHOULDER 10 X 20	1	KOHLER
411	K300010803	VIS H EMB CR 8 x 40	SCREW H NOTCHED SHOULDER 8 X 40	4	
412	K300060302	VIS TH3/8 UNF1 ZING	SCREW TH 3/8 UNF1 ZN	1	
413	K300010825	VIS TH 8 x 60	SCREW TH 8 X 60	1	BS 850 SERIES
414	K300010801	VIS H EMB CR 8 x 25	SCREW H NOTCHED SHOULDER 8 X 25	2	

*Le service après vente : s'adresser au réseau motoriste concerné
For the engine's spare parts, please contact the motor's retailers network

Rep N°	Ref	Désignation	Description	Qté	
500	KN02011102	TÔLE ENDAINEUR GRIS RAL 7021	GREY RAL 7021 SIDE DEFLECTOR	1	
501	KN02011101	BANDEAU TONDEUSE GRIS RAL 7021	GREY RAL 7021 FRONT DEFLECTOR	1	
502	KF02010209	PLATINE EMBRAYAGE FREIN DE LAME	SUPPORT BRAKE & CLUTCH	1	
503	KF02010208	LEVIER PORTE FREIN SOUPLE SOUDE ZN	BRAKE LEVER	1	
504	KE04020025	ARBRE PORTE LAME OR AP CLAVETE	BLADE SHAFT	1	
505	KE03020001	GALET GORGE PLATE LARGEUR 24	RUNNER	1	
506	KE02020213	LEVIER EMBRAYAGE FREIN SOUPLE SOUDE ZN	CLUTCH & BRAKE LEVER ZN	1	
507	KE02020207	ENTRETOISE GALET D'EMBAYAGE ZN	SPACER	1	
508	KE02020203	PATTE GUIDAGE EMBRAYAGE ZN	CLUTCH ALIGNER	2	
509	KE02011112	COUPOLE GRIS RAL7040	BLADE GUARD GREY RAL 7040	1	
510	KE02010208	RONDELLE EMBOUTIE PROTECTION MOYEU DE LAME	PROTECTION WASHER	1	
511	KE01020014	GARNITURE FREIN RIVETEE	BRAKE	1	
512	K306010016	ROULEMENT 6005 2 RS 25 x 47 x 12	BEARING 6005 2 RS	2	
513	K306010014	ROULEMENT 6000 2 RS	BEARING 6000 2 RS	1	
514	K305010010	RESSORT FREIN DE LAME	SPRING FOR BRAKE	1	
515	K305010009	RESSORT DE RAPPEL	SPRING	1	
516	K305010008	RESSORT DE TRACTION	SPRING	1	
517	K302030085	POULIE FREIN USINEE CLAVETEE DIAM 110	BRAKE PULLEY DIAM 110	1	
518	K302030012	PALIER DE LAME	BLADE BEARING	1	
519	K302020085	TUBE ENTRETOISE PALIER LAME	TUBE SPACER	1	
520	K302020028	ENTRETOISE	SPACER	1	
521	K301040014	CLAVETTE 5 x 5 x 30	KEY 5 X 5 X 30	1	
522	K300430801	RONDELLE CONTACT M8	WASHER M8	8	
523	K300401103	RONDELLE PLATE 30 x 11 x 5 ZN	WASHER 30 X 11 X 5 ZN	1	
524	K300261001	ECROU H M10 EMB CR	NUT H M10 NOTCHED SHOULDER	4	
525	K300260601	ECROU H M6 Z EMB CR	NUT H M6 Z NOTCHED SHOULDER	2	
526	K300220802	ECROU BORGNE M8	NUT M8	5	
527	K300211201	ECROU FREIN M12	NUT BRAKE M10	1	
528	K300201001	ECROU HU M10	NUT HU M10	1	
529	K300200801	ECROU HU M8	NUT HU M8	2	
530	K300090804	VIS A GAUCHE 8 x 25	SCREW Z 8 X 25	1	
531	K300090801	PITON A OEIL	SCREW	1	
532	K300011206	VIS H12 x 45	SCREW H 12 X 45	1	
533	K300011026	VIS H 10 x 30 EMB CR	Screw HM 8x20 Z Emb cr	4	
534	K300011010	VIS HM 10 x 35	SCREW HM 10 x 35	1	
535	K300010830	VIS H 8 x 16 EMB CR	SCREW H 8 x 16 NOTCHED SHOULDER	4	
536	K300010814	VIS H M8 x 16	SCREW H M8 X 16	2	
537	K300010802	VIS EMB CR 8 x 20	SCREW H NOTCHED SHOULDER 8 X 20	1	
538	K300010601	VIS H 6 x 16 EMB CR	SCREW H NOTCHED SHOULDER 6 X 16	2	