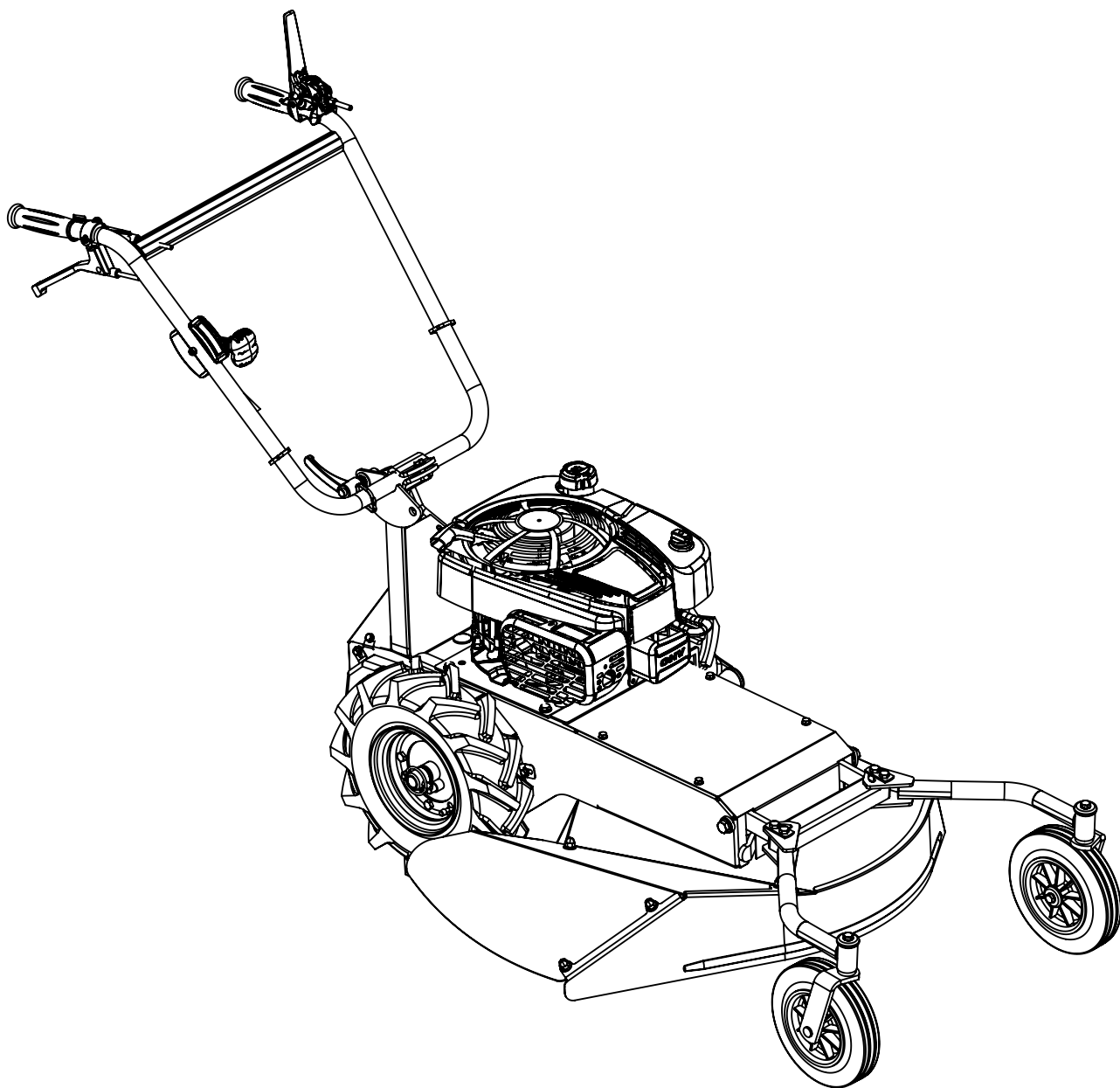


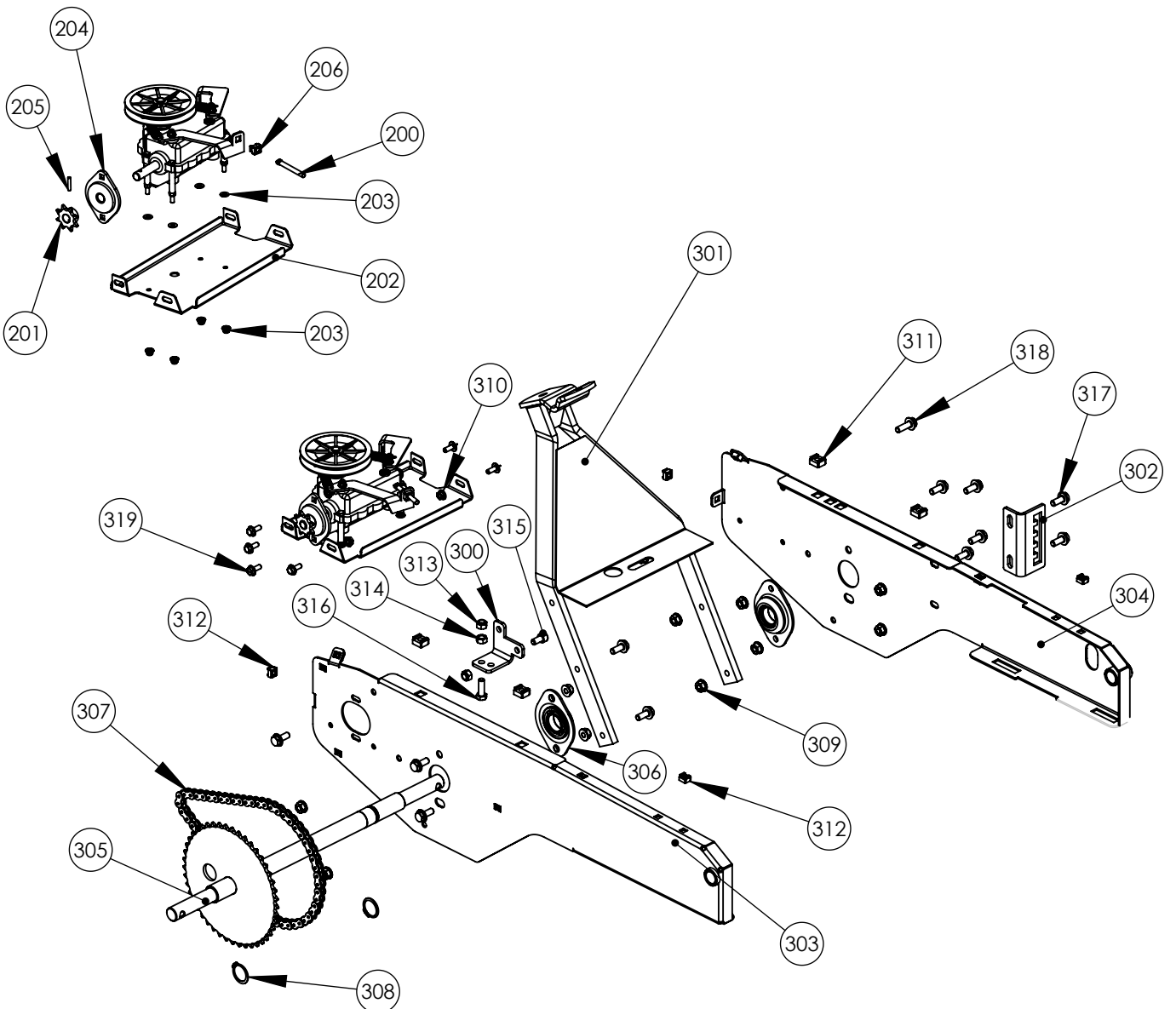
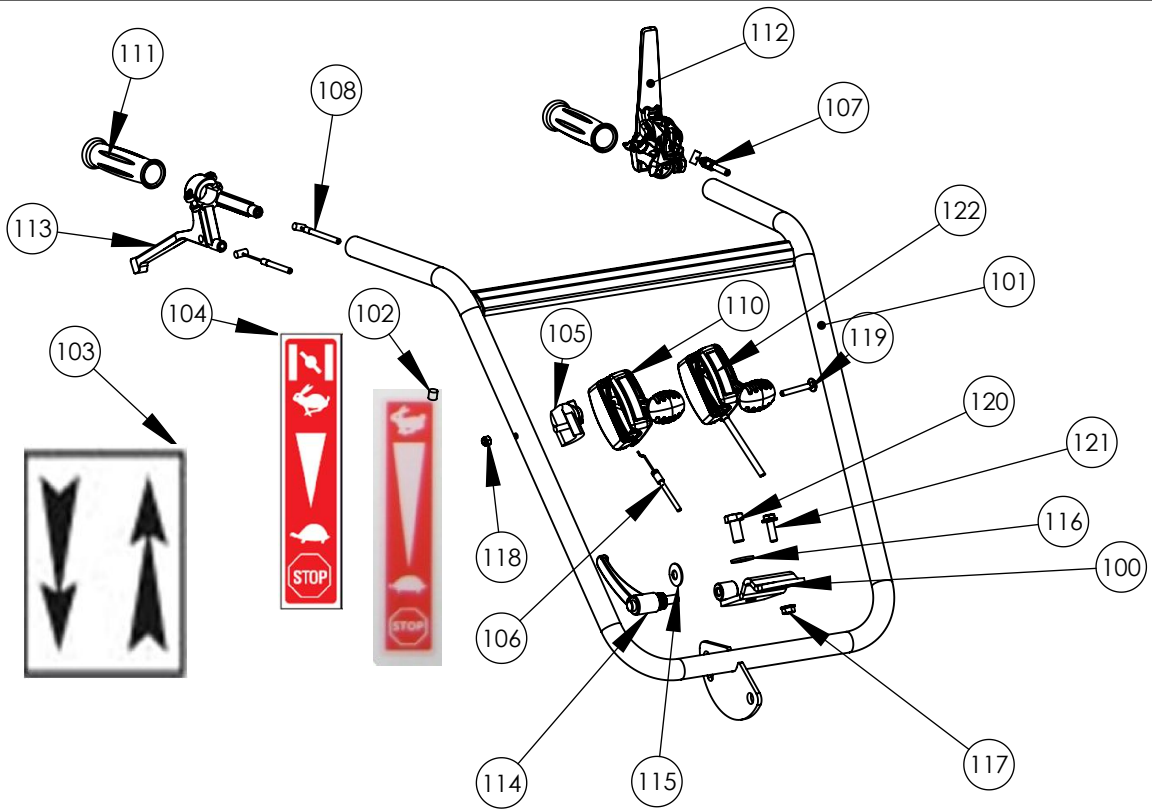
Pièces de rechange Spare parts list

KE0002****



***FAUCHEUSE BROYEUSE
BRUSH CUTTER***

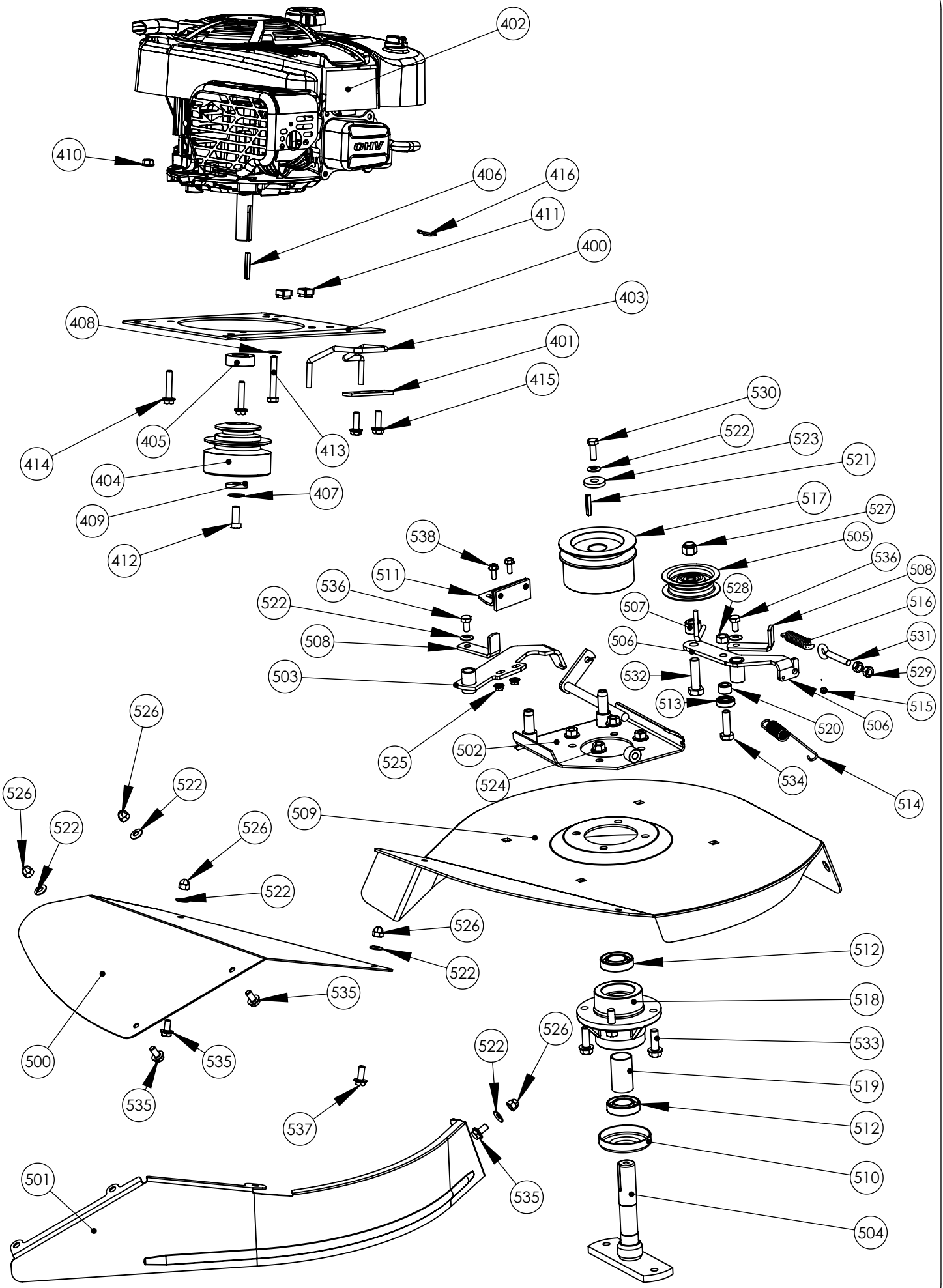
Rep N°	Ref.	Désignation	Description	Qté
1	KE03010003	GALET GORGE PLATE 19 mm	RUNNER 19 mm	1
2	KE02021606	CAPOT INF ARR NOIR	BLACK REAR LOW CARTER	1
3	KE02021402	ENSEMBLE SOUDE TRAIN AVANT GRIS FONCE	DARK GREY FRONT CHASSIS	1
3	KE02021102	ENSEMBLE SOUDE TRAIN AVANT GRIS CLAIR	LIGHT GREY FRONT CHASSIS	1
4	KE02021401	PORTE ROUE AVANT GRIS FONCE	DARK GREY FRONT WHEEL SUPPORT	2
4	KE02021101	PORTE ROUE AVANT GRIS CLAIR	LIGHT GREY FRONT WHEEL SUPPORT	2
5	KE02020802	TENDEUR DE COUPOLE JAUNE	YELLOW PLATE FOR BLADE GUARD	1
5	KE02010603	TENDEUR DE COUPOLE ROUGE	PLATE FOR BLADE GUARD	1
6	KE02020801	CAPOT AVANT JAUNE	YELLOW FRONT CARTER	1
6	KE02020601	CAPOT AVANT ROUGE	RED FRONT CARTER	1
7	KE02020201	PLAQUE SUPPORT PORTE ROUE	PLATE FOR FRONT WHEEL SUPPORT	4
8	KE02011619	CARTER DE CHAINE NOIR	BLACK CHAIN CARTER	1
9	KE02011612	LEVIER DE RELEVAGE NOIR	WORK LEVEL SELECTION TOOL	1
10	KE02011604	CAPOT ARR SUP NOIR	BLACK HIGH REAR CARTER	1
11	KE02011603	EJECTEUR NOIR	VENTILATING PLATE	1
12	KE02010206	CHAPE ROUE DROITE ZN	RIGHT AXLE FRONT WHEEL	1
13	KE02010202	CHAPE DE ROUE GAUCHE ZN	LEFT AXLE FRONT WHEEL	1
14	K503000023-	AUTOCOLLANT HAUTEUR DE COUPE	STICKER "WORK LEVEL"	1
15	K503000015-	AUTOCOLLANT LIRE LA NOTICE	STICKER " READ THE MANUAL BEFORE USE"	1
16	K503000003-	AUTOCOLLANT DISTANCE DE SECURITE	STICKER "SECURITY DISTANCE"	1
17	K503000002-	AUTOCOLLANT DANGER SECTIONNEMENT	STICKER "CAUTION : CUTTING PARTS"	1
18	K341000005	CAPSULE PLASTIQUE	PLASTIC CAP	1
19	K341000003	BOULE PLASTIQUE 40 * 10 NOIRE	BLACK PLASTIC BALL 40 * 10	1
20	K320020010	LAME DE 53 CM	BLADE	1
21	K309000026	CHAMBRE A AIR DE 350	AIR TUBE	2
21	K309000024	ROUE DE 350 GAUCHE	LEFT BACK WHEEL	1
21	K309000002	PNEU DE 350	TYRE	2
22	K309000019	ROUE DE 350 DROITE	RIGHT BACK WHEEL	1
23	K309000008	ROUE DE 200	FRONT WHEEL	2
24	K306030027	COURROIE DE LAME	BLADE V-BELT	1
25	K306030014	COURROIE Z MBL 25.5	V-BELT Z MBL 25.5	1
26	K302020023	ENTRETOISE 20 x 12.2 x 5.5 ZN	SPACER 20 x 12.2 x 5.5 ZN	1
27	K302020017	ENTRETOISE ARTICULATION	ROUND SPACER	2
28	K302000005	BUTEE D'ENTRAINEMENT DE ROUE	3/4 TURN NUT	2
29	K302000001	RONDELLE PROTECTION AXE ROUE AVANT	PROTECT WASHER	4
30	K301060001	COLLIER PLASTIQUE	COLLAR	3
31	K301050001	CLIPS DE 8 x 40	CIRCLIPS 8 X 40	2
32	K301000005	PASSE FIL	WIRE PROTECT	2
33	K300441001	RONDELLE EVENTAIL AZ 10 ZN	WASHER AZ 10 ZN	2
34	K300440801	RONDELLE AZ 8	WASHER AZ 8	4
35	K300431001	RONDELLE CONTACT M 10	WASHER M10	8
36	K300401204	RONDELLE PLATE 40 x12.5 x 2.5 ZN	PLATE WASHER 40 x 12.5 x 2.5 ZN	2
37	K300211001	ECROU FREIN M10	BLOCKING NUT M10	2
38	K300201201	ECROU HU M12 ZN	NUT HU M12 ZN	1
39	K300201001	ECROU HU M10	NUT HU M10	8
40	K300200801	ECROU HU M8	NUT HU M8	4
41	K300081002	BOULON TRCC 10 x 20	SCREW TRCC 10 x 20	4
42	K300011205	VIS TH 12 x 35 ZN	SCREW TH 12 X 35 ZN	1
43	K300011014	VIS TH 10 x 70 ZN	SCREW TH 10 X 70 ZN	1
44	K300011013	VIS TH 10 x 60 ZN	SCREW H 10 X 60	2
45	K300011011	VIS HM 10 x 40	SCREW H 10 X 40	1
46	K300011010	VIS HM 10 x 35	SCREW HM 10 x 35	2
47	K300010824	VIS H 8 x 55	SCREW H 8 X 55	4
48	K300010814	VIS H M8 x 16	SCREW H M8 X 16	4
49	K300010802	VIS EMB CR 8 x 20	SCREW H NOTCHED SHOULDER 8 X 20	5
50	K300010617	VIS H 6 x 10 EMB CR	SCREW H 6 X 10 NOTCHED SHOULDER	8
51	K300010601	VIS H 6 x 16 EMB CR	SCREW H NOTCHED SHOULDER 6 X 16	3



Rep N°	Ref.	Désignation	Description	Qté	
100	KE02011617	PLAQUE SERRAGE MANCHERON	HANDLEBAR CLAMP PLATE	1	
101	KE02011109	MANCHERON GRIS	GREY HANDLEBAR	1	
101	KE02010801	MANCHERON JAUNE	YELLOW HANDLEBAR	1	
102	K503000031-	AUTOCOLLANT ACCELERATEUR STOP SANS STARTER	STICKER "ENGINE SPEED VARIATION" WITHOUT STARTER	1	BS 850 SERIES
103	K503000011-	AUTOCOLLANT INVERSION MARCHE	STICKER "SPEED INVERSION"	1	
104	K503000005-	AUTOCOLLANT ACCELERATEUR STOP + STARTER	STICKER "SPEED VARIATION" WITH STARTER	1	KAWA / HONDA SUBARU
105	K330030202-	SWITCH MOTEUR SUBARU	SWITCH SUBARU ENGINE	1	
106	K308040011	CABLE COMMANDE DES GAZ	THROTTLE CABLE	1	
107	K308020011	CABLE EMBR DE LAME	BLADE CLUTCH CABLE	1	
108	K308010013	CABLE EMBR AR ORION R	REVERSE CLUTCH CABLE	1	
109	K308010011	CABLE EMBR AVANCE	FORWARD SPEED CLUTCH CABLE	1	
110	K307020010	POIGNEE GAZ	THROTTLE LEVER	1	KAWA/GSV190/ SUBARU/BS
111	K307020005	POIGNEE CAOUTCHOUC DIAM 25	GRIP	2	
112	K307010014	LEVIER AVEC SECURITE	BLADE CLUTCH LEVER	1	
113	K307010011	LEVIER DOUBLE	DOUBLE LEVER	1	
114	K307010006	POIGNEE DEBRAYABLE M10	HANDLE FOR HANDLEBAR LEVEL SELECTION	1	
115	K300431002	RONDELLE CONTACT LARGE DE 10	WASHER D 10	1	
116	K300401201	RONDELLE PLATE 27 x 12.5 x 2.5	WASHER 27 x 12.5 x 2.5	1	
117	K300260801	ECROU H M8 EMB CR	NUT H M8 NOTCHED SHOULDER	1	
118	K300210601	ECROU FREIN H M6	BLOCKING NUT M6	1	
119	K300080603	BOULON TRCC 6 x 45	SCREW TRCC 6 X 45	1	
120	K300011204	VIS TH 12 x 25 ZN	SCREW TH 12 X 25 ZN	1	
121	K300010801	VIS H EMB CR 8 x 25	SCREW H NOTCHED SHOULDER 8 X 25	1	
122	K308060032	CABLE GAZ + MANETTE LG :1051	THROTTLE LEVER + CABLE	1	GCVX200

Rep N°	Ref.	Désignation	Description	Qté	
200	KE04010018	VIS DE BIELETTE EMBRAY. BOITIER	CLUTCH SCREW	1	
201	KE04010011	PIGNON 8 DENTS	SPROCKET 8 TEETH	1	
202	KE02021605	SUPPORT BOITIER REDUCTEUR NOIR	BLACK GEARBOX SUPPORT	1	
203	K306040002	BOITIER 1 MARCHE AVT/1MARCHE ARR	FORWARD / REVERSE GEARBOX	1	
204	K306010010	PALIER FLASQUE TOLE DIAM 12	SELF-ALIGNING BEARING UNIT	1	
205	K301090003	GOUPILLE ROULEE 4 x 20	ROLLED COTTER 4 X 20	1	
206	K300230602	ECROU RAPID M6 C 4806 C	NUT RAPID M6 C 4806C	1	

Rep N°	Ref.	Désignation	Description	Qté	
300	KE02020210	EQUERRE FIXATION CABLE MARCHE ARR ZN	REVERSE CABLE FIXATION ZINGUE	1	
301	KE02011618	SUPPORT MANCHERON NOIR	BLACK HANDLEBAR SUPPORT	1	
302	KE02011602	CREMAILLE HAUTEUR DE COUPE ZN	CUT ADJUST LEVEL RACK	1	
303	KE02010803	FLANC DROIT JAUNE	YELLOW RIGHT CARTER	1	
303	KE02010602	FLANC DROIT ROUGE	RED RIGHT CARTER	1	
304	KE02010802	FLANC GAUCHE JAUNE	YELLOW LEFT CARTER	1	
304	KE02010601	FLANC GAUCHE ROUGE	RED LEFT CARTER	1	
305	KE02010207	ARBRE - PIGNON TRANSMISSION	AXLE	1	
306	KE01010001	PALIER AVEC RLT. DE 25 ASSEMBLE	BEARING Ø 25	2	
307	K306020005	CHAINE 12.7 56 MAILLONS	CHAIN 12.7 56 LINKS	1	
308	K301070007	CIRCLIPS EXTERIEUR DE 25	External retaining ring 25	2	
309	K300260801	ECROU H M8 EMB CR	NUT H M8 NOTCHED SHOULDER	12	
310	K300260601	ECROU H M6 Z EMB CR	NUT H M6 Z NOTCHED SHOULDER	6	
311	K300230801	ECROU RAPID M8 C 4808 A	NUT RAPID M8 C 4808 A	4	
312	K300230601	ECROU RAPID M 6 C 4806B	NUT RAPID M6 C 4806B	11	
313	K300210801	ECROU FREIN H M8	NUT,NYLOC M8	2	
314	K300200801	ECROU HU M8	NUT HU M8	1	
315	K300020801	VIS CHC 8 x 16	sCREW CHC 8 X 16	1	
316	K300010817	VIS TH 8 x 25 ZN	SCREW TH 8 X 25 ZN	1	
317	K300010802	VIS EMB CR 8 x 20	SCREW H NOTCHED SHOULDER 8 X 20	11	
318	K300010801	VIS H EMB CR 8 x 25	SCREW H NOTCHED SHOULDER 8 X 25	1	
319	K300010601	VIS H 6 x 16 EMB CR	SCREW H NOTCHED SHOULDER 6 X 16	6	



Rep N°	Ref.	Désignation	Description	Qty	
400	KE02021602	SUPPORT MOTEUR KAWA NOIR	BLACK KAWA ENGINE SUPPORT	1	KAWA
400	KE02021607	SUPPORT MOTEUR HONDA NOIR	BLACK HONDA ENGINE SUPPORT	1	HONDA
400	KE02021601	SUPPORT MOTEUR B&S NOIR	BLACK B&S ENGINE SUPPORT	1	BS / SUBARU
401	KE02020211	PLAT FIXATION PLAQUE DE DEB FIL LASER	BELT GUIDE PLAT FIXATION	1	
402	K330030106-	MOTEUR SUBARU EA190V*	SUBARU ENGINE EA190V*	1	
402	K330020108	MOTEUR SANS FREIN BS 850 SERIES*	MOTOR WITHOUT BRAKE BS 850 SERIES*	1	
402	K330050101	MOTEUR KAWASAKI FJ180 V*	KAWASAKI FJ180 V ENGINE*	1	
402	K330010104	MOTEUR HONDA GSV190 SANS FREIN*	ENGINE HONDA GSV190	1	
402	0330011050	HONDA GCVx200 xNOIRx		1	
403	K305030002	PLAQUE DE DEBRAYAGE	CLUTCH PLATE	1	
404	K302030024	POULIE MOTEUR	MOTOR PULLEY	1	
405	K302020031	ENTRETOISE POULIE MOTEUR HONDA	ROUND SPACER FOR ENGINE PULLEY	1	HONDA
406	K301040002	CLAVETTE B.DROIT 4.76 x 4.76 x 37	KEY 4.76 X 4.76 X 37	1	
407	K300431001	RONDELLE CONTACT M 10	WASHER M10	5	
408	K300430801	RONDELLE CONTACT M8	WASHER M8	1	BS 850 SERIES
409	K300401103	RONDELLE PLATE 30 x 11 x 5 ZN	WASHER 30 X 11 X 5 ZN	1	
410	K300260801	ECROU H M8 EMB CR	NUT H M8 NOTCHED SHOULDER	4	HD / BS / SUB
411	K300230802	ECROU ' RAPID' DE 8 C4808 B	NUT RAPID M8 C 4808B	2	
412	K300060302	VIS TH3/8 UNF1 ZING	SCREW TH 3/8 UNF1 ZN	1	
413	K300010825	VIS TH 8 x 60	SCREW TH 8 X 60	1	BS 850 SERIES
413	K300021004	VIS CHC 10 x 16	SCREW CHC 10 X 16	4	KAWA
414	K300010803	VIS H EMB CR 8 x 40	SCREW H NOTCHED SHOULDER 8 X 40	4	HD / BS / SUB
415	K300010801	VIS H EMB CR 8 x 25	SCREW H NOTCHED SHOULDER 8 X 25	2	
416	K305000063	FIL OUVERTURE FREIN	BRAKE OPENING WIRE	1	GCVX200

*Le service après vente : s'adresser au réseau motoriste concerné
For the engine's spare parts, please contact the motor's retailers network

Rep N°	Ref	Désignation	Description	Qté
500	KN02011903	TÔLE ENDAINEUR GRIS RAL 7021	GREY RAL 7021 SIDE DEFLECTOR	1
501	KN02011902	BANDEAU TONDEUSE GRIS RAL 7021	GREY RAL 7021 FRONT DEFLECTOR	1
502	KF02010209	PLATINE EMBRAYAGE FREIN DE LAME	SUPPORT BRAKE & CLUTCH	1
503	KF02010208	LEVIER PORTE FREIN SOUPLE SOUDE ZN	BRAKE LEVER	1
504	KE04020025	ARBRE PORTE LAME OR AP CLAVETE	BLADE SHAFT	1
505	KE03020001	GALET GORGE PLATE LARGEUR 24	RUNNER	1
506	KE02020213	LEVIER EMBRAYAGE FREIN SOUPLE SOUDE ZN	CLUTCH & BRAKE LEVER ZN	1
507	KE02020207	ENTRETOISE GALET D'EMBR	SPACER	1
508	KE02020203	PATTE GUIDAGE EMBRAYAGE ZN	CLUTCH ALIGNER	2
509	KE02011901	COUPOLE GRIS ANTHACITE RAL7021	BLADE GUARD GREY RAL 7021	1
510	KE02010208	RONDELLE EMBOUTIE PROTECTION MOYEU DE LAME	PROTECTION WASHER	1
511	KE01020014	GARNITURE FREIN RIVETEE	BRAKE	1
512	K306010016	ROULEMENT 6005 2 RS 25 x 47 x 12	BEARING 6005 2 RS	2
513	K306010014	ROULEMENT 6000 2 RS	BEARING 6000 2 RS	1
514	K305010010	RESSORT FREIN DE LAME	SPRING FOR BRAKE	1
515	K305010009	RESSORT DE RAPPEL	SPRING	1
516	K305010008	RESSORT DE TRACTION	SPRING	1
517	K302030085	POULIE FREIN USINEE CLAVETEE DIAM 110	BRAKE PULLEY DIAM 110	1
518	K302030012	PALIER DE LAME	BLADE BEARING	1
519	K302020085	TUBE ENTRETOISE PALIER LAME	TUBE SPACER	1
520	K302020028	ENTRETOISE	SPACER	1
521	K301040014	CLAVETTE 5 x 5 x 30	KEY 5 X 5 X 30	1
522	K300430801	RONDELLE CONTACT M8	WASHER M8	8
523	K300401103	RONDELLE PLATE 30 x 11 x 5 ZN	WASHER 30 X 11 X 5 ZN	1
524	K300261001	ECROU H M10 EMB CR	NUT H M10 NOTCHED SHOULDER	4
525	K300260601	ECROU H M6 Z EMB CR	NUT H M6 Z NOTCHED SHOULDER	2
526	K300220802	ECROU BORGNE M8	NUT M8	5
527	K300211201	ECROU FREIN M12	NUT BRAKE M10	1
528	K300201001	ECROU HU M10	NUT HU M10	1
529	K300200801	ECROU HU M8	NUT HU M8	2
530	K300090804	VIS A GAUCHE 8 x 25	SCREW Z 8 X 25	1
531	K300090801	PITON A OEIL	SCREW	1
532	K300011206	VIS H12 x 45	SCREW H 12 X 45	1
533	K300011026	VIS H 10 x 30 EMB CR	Screw HM 10x30 Z Emb cr	4
534	K300011010	VIS HM 10 x 35	SCREW HM 10 x 35	1
535	K300010830	VIS H 8 x 16 EMB CR	SCREW H 8 x 16 NOTCHED SHOULDER	4
536	K300010814	VIS H M8 x 16	SCREW H M8 X 16	2
537	K300010802	VIS EMB CR 8 x 20	SCREW H NOTCHED SHOULDER 8 X 20	1
538	K300010601	VIS H 6 x 16 EMB CR	SCREW H NOTCHED SHOULDER 6 X 16	2