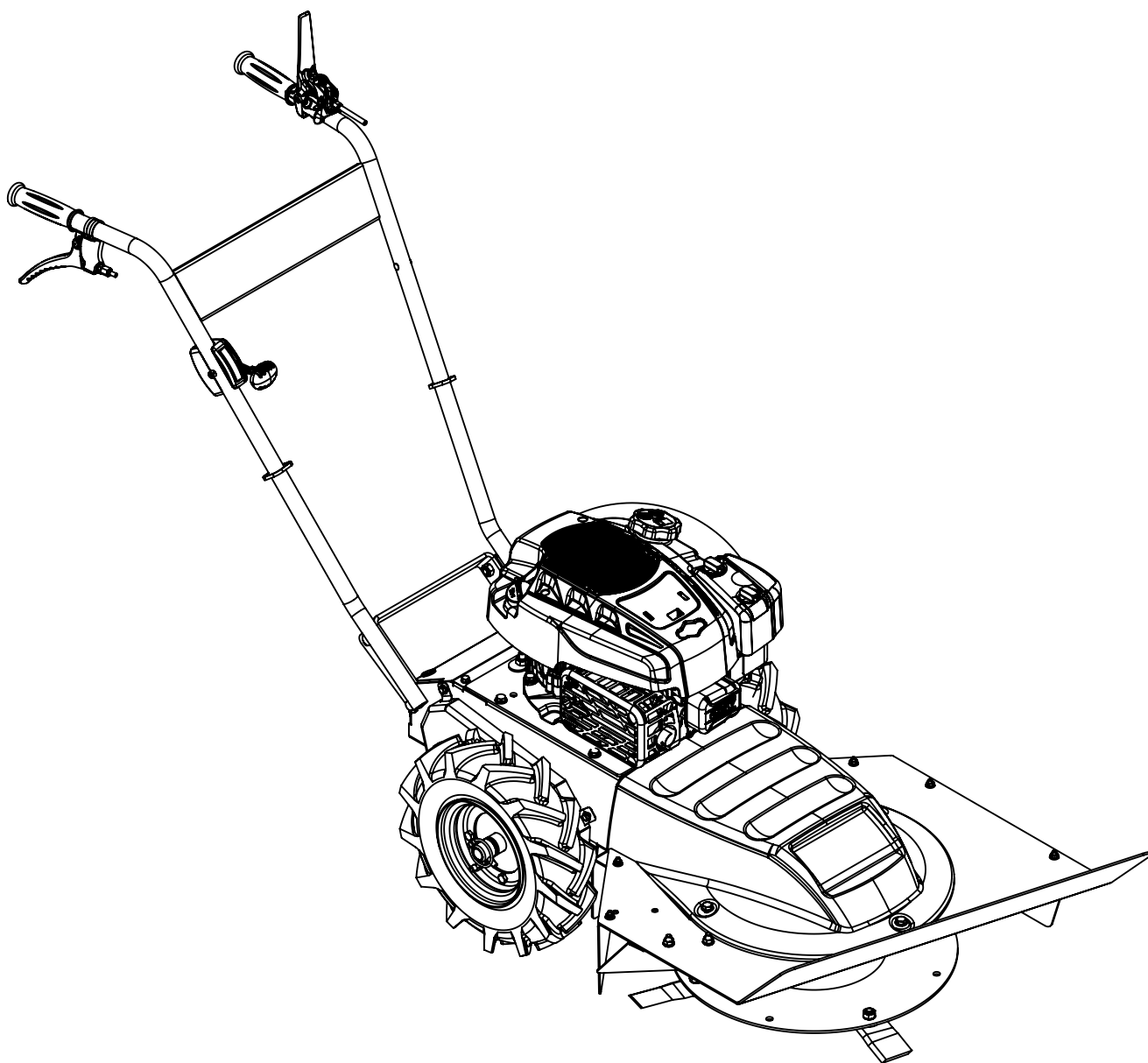
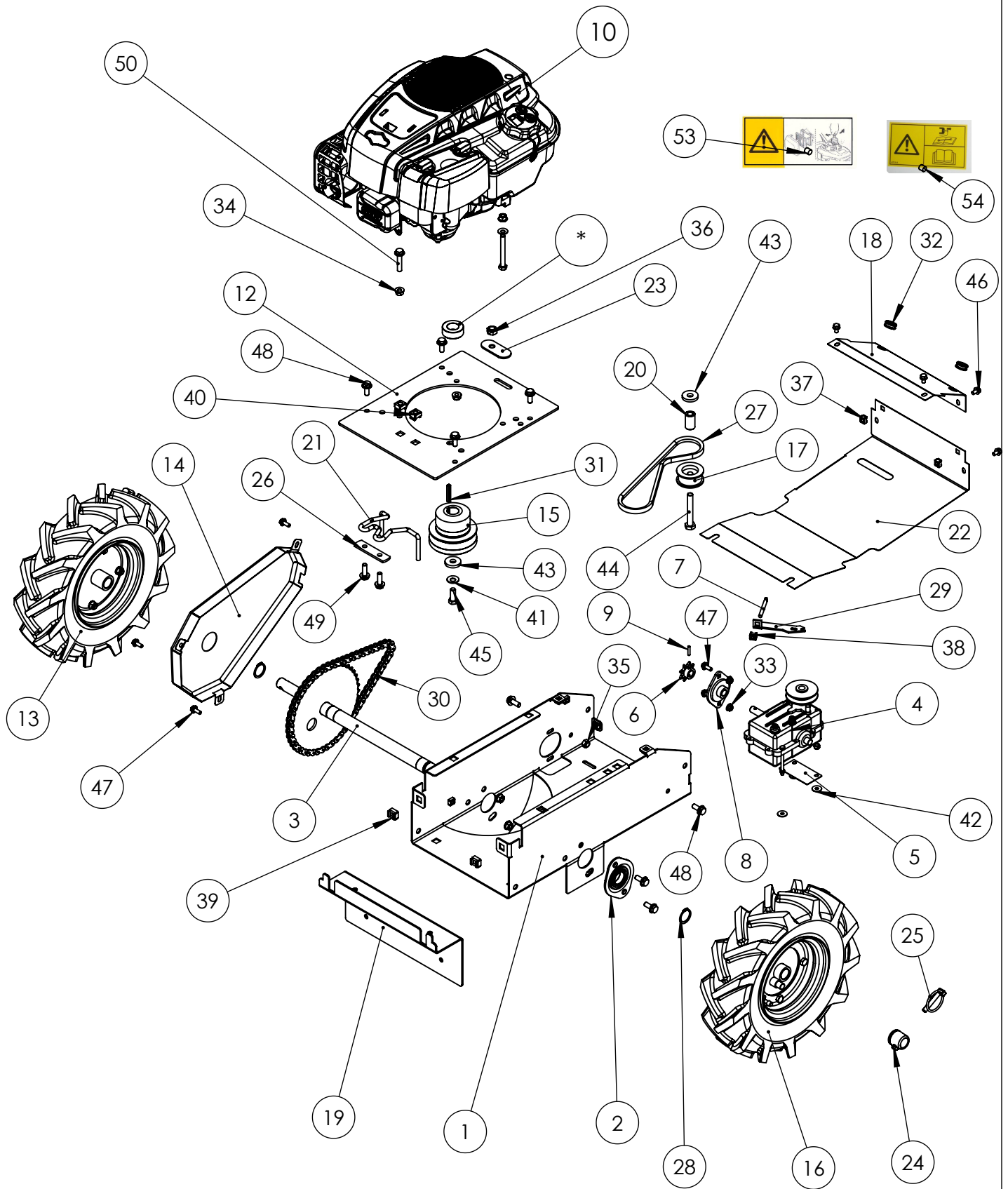


Pièces de rechange Spare parts list

KJ0003****

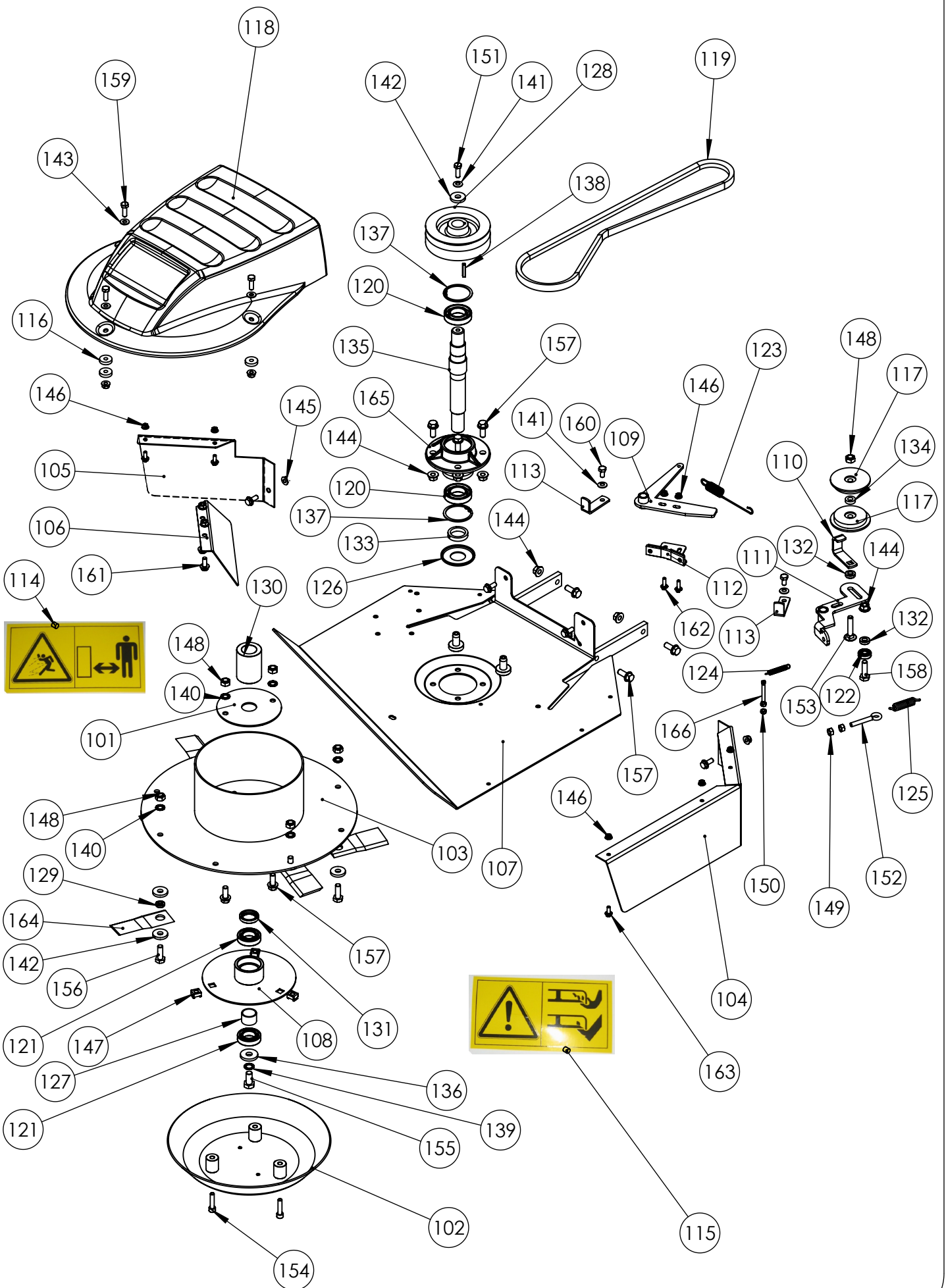


***DEBROUSSAILLEUSE ROTATIVE
ROTARY BRUSH CUTTER***

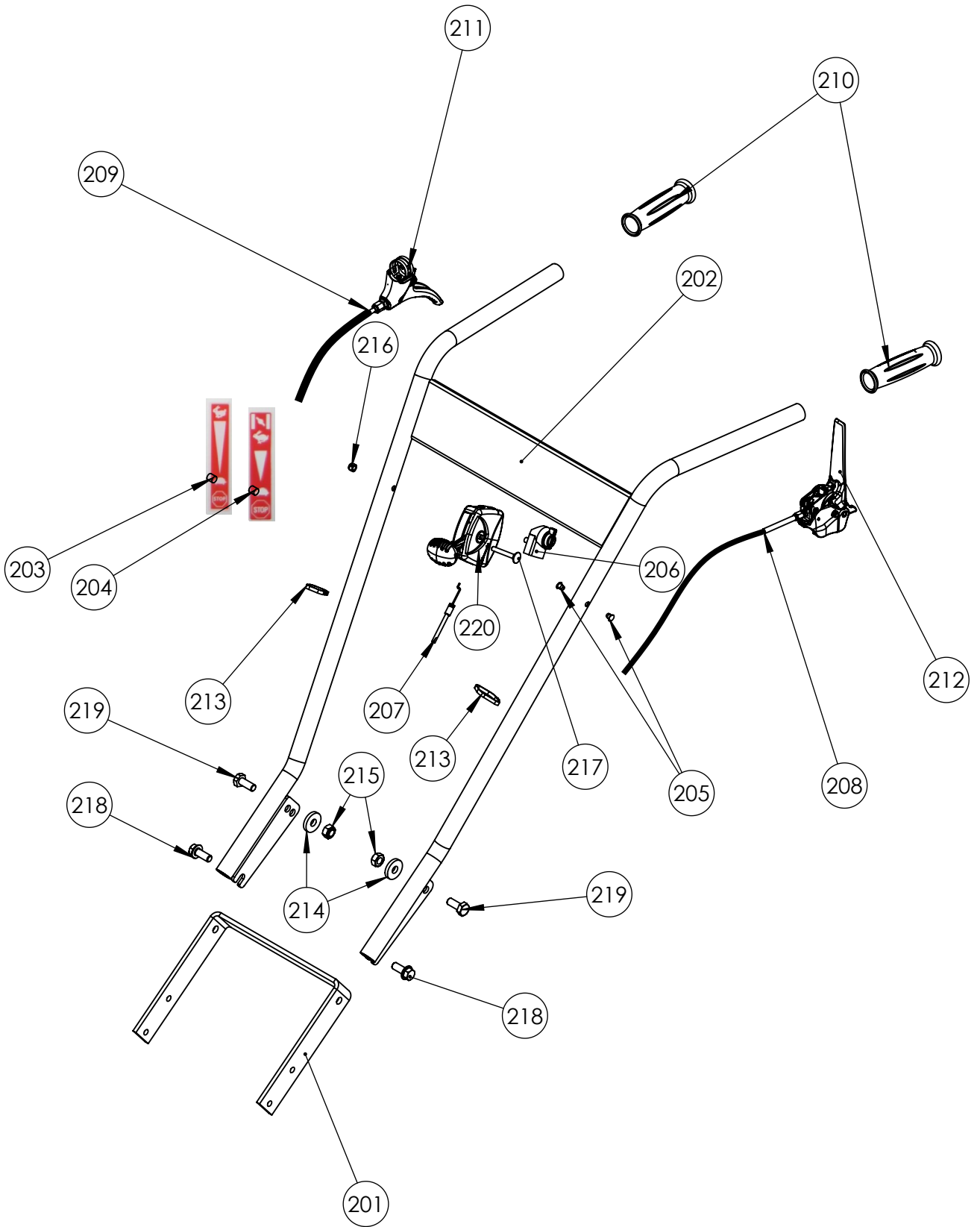


| REP N° | Ref. | Désignation | Description | B&S 850 | HONDA | EA190V | RV225 |
|--------|-------------|------------------------------------|---------------------------------------|------------|-------|--------|-------|
| 1 | KJ02030802 | CHASSIS JAUNE | YELLOW BASE | 1 | 1 | 1 | 1 |
| 1 | KJ02031402 | CHASSIS GRIS RAL8120 | GREY RAL8120 BASE | 1 | 1 | 1 | 1 |
| 1 | KJ02032601 | CHASSIS ORANGE | ORANGE BASE | 1 | 1 | 1 | 1 |
| 1 | KJ02030601 | CHASSIS ROUGE | RED BASE | 1 | 1 | 1 | 1 |
| 2 | KE01010001 | PALIER AVEC RLT. DE 25 ASSEMBLE | BEARING Ø 25 | 2 | 2 | 2 | 2 |
| 3 | KE02010207 | ARBRE - PIGNON TRANSMISSION | AXLE | 1 | 1 | 1 | 1 |
| 4 | K306040006 | BOITIER REDUCTEUR | GEARBOX | 1 | 1 | 1 | 1 |
| 5 | KE02011605 | CALE BOITIER REDUCTEUR NOIR | GEARBOX SUPPORT | 1 | 1 | 1 | 1 |
| 6 | KE04010011 | PIGNON 8 DENTS | SPROCKET 8 TEETH | 1 | 1 | 1 | 1 |
| 7 | KE04010018 | VIS DE BIELETTE EMBRAY.BOITIER | CLUTCH SCREW | 1 | 1 | 1 | 1 |
| 8 | K306010010 | PALIER FLASQUE TOLE DIAM 12 | SELF-ALIGNING BEARING UNIT | 1 | 1 | 1 | 1 |
| 9 | K301090003 | GOUPILLE ROULEE 4 x 20 | ROLLED COTTER 4 X 20 | 1 | 1 | 1 | 1 |
| 10 | K330030106- | MOTEUR SUBARU EA190V* | SUBARU ENGINE EA190V* | - | - | 1 | - |
| 10 | 0330011052 | HONDA GCVx200 xNOIRx Vol Lourd | | - | 1 | - | - |
| 10 | 0330091010 | RV225 | | - | - | - | 1 |
| 10 | K330010104 | MOTEUR HONDA GSV190 SANS FREIN* | ENGINE HONDA GSV190 | - | 1 | - | - |
| 10 | 0330021039 | BS850 SERIES | | 1 | - | - | - |
| 11 | K302020031 | ENTRETOISE POULIE MOTEUR HONDA | ROUND SPACER FOR ENGINE PULLEY | - | 1 | - | - |
| 12 | KJ02031609 | SUPPORT MOTEUR NOIR | ENGINE SUPPORT | 1 | 1 | 1 | 1 |
| 13 | K309000019 | ROUE DE 350 DROITE | RIGHT BACK WHEEL | 1 | 1 | 1 | 1 |
| 13 | K309000002 | PNEU DE 350 | TYRE | 2 | 2 | 2 | 2 |
| 13 | K309000026 | CHAMBRE A AIR DE 350 | AIR TUBE | 2 | 2 | 2 | 2 |
| 14 | KJ02031602 | CARTER DE CHAINE NOIR | CHAIN BONNET | 1 | 1 | 1 | 1 |
| 15 | K302030071 | POULIE MOTEUR | ENGINE PULLEY | 1 | 1 | 1 | 1 |
| 16 | K309000024 | ROUE DE 350 GAUCHE | LEFT BACK WHEEL | 1 | 1 | 1 | 1 |
| 17 | K306010001 | GALET EMBRAYAGE | CLUTCH PULLEY | 1 | 1 | 1 | 1 |
| 18 | KJ02031607 | CAPOT ARRIERE NOIR | BACK HATCH | 1 | 1 | 1 | 1 |
| 19 | KJ02031606 | TOLE PROTECTION ARRIERE NOIR | BACK PROTECT CARTER | 1 | 1 | 1 | 1 |
| 20 | K302020017 | ENTRETOISE ARTICULATION | ROUND SPACER | 1 | 1 | 1 | 1 |
| 21 | K305030014 | PLAQUE DE DEBRAYAGE | CLUTCH PLATE | 1 | 1 | 1 | 1 |
| 22 | KJ02031608 | TOLE ARR INF NOIR | DOWNSIDE BACK BONNET | 1 | 1 | 1 | 1 |
| 23 | KJ02030401 | RONDELLE OBLONG ZN NOIR | WASHER | 1 | 1 | 1 | 1 |
| 24 | K302000005 | BUTEE D'ENTRAINEMENT DE ROUE | 3/4 TURN NUT | 2 | 2 | 2 | 2 |
| 25 | K301050001 | CLIPS DE 8 x 40 | CIRCLIPS 8 X 40 | 2 | 2 | 2 | 2 |
| 26 | KE02020211 | PLAT FIXATION PLAQUE DE DEB FIL ZN | CLUTCH PLATE SUPPORT | 1 | 1 | 1 | 1 |
| 27 | K306030012 | COURROIE Z 21.5 10 x 550 LI | V BELT Z 21.5 10 X 550 LI | 1 | 1 | 1 | 1 |
| 28 | K301070007 | CIRCLIPS EXTERIEUR DE 25 | External retaiting ring 25 | 2 | 2 | 2 | 2 |
| 29 | KE02010209 | LEVIER EMBRAYAGE ZN | CLUTCH PLATE | 1 | 1 | 1 | 1 |
| 30 | K306020005 | CHAINE 12.7 56 MAILLONS | CHAIN 12.7 56 LINKS | 1 | 1 | 1 | 1 |
| 31 | K301040002 | CLAVETTE B.DROIT 4.76 x 4.76 x 37 | KEY 4.76 X 4.76 X 37 | 1 | 1 | 1 | 1 |
| 32 | K301000005 | PASSE FIL | WIRE PROTECT | 2 | 2 | 2 | 2 |
| 33 | K300260601 | ECROU H M6 Z EMB CR | NUT H M6 Z NOTCHED SHOULDER | 2 | 2 | 2 | 2 |
| 34 | K300260801 | ECROU H M8 EMB CR | NUT H M8 NOTCHED SHOULDER | 7 | 8 | 8 | 6 |
| 35 | K300210801 | ECROU FREIN H M8 | NUT,NYLOC M8 | 2 | 2 | 2 | 2 |
| 36 | K300211001 | ECROU FREIN M10 | BLOCKING NUT M10 | 1 | 1 | 1 | 1 |
| 37 | K300230601 | ECROU RAPID M 6 C 4806B | NUT RAPID M6 C 4806B | 9 | 9 | 9 | 9 |
| 38 | K300230602 | ECROU RAPID M6 C 4806 C | NUT RAPID M6 C 4806C | 1 | 1 | 1 | 1 |
| 39 | K300230802 | ECROU ' RAPID' DE 8 C4808 B | NUT RAPID M8 C 4808B | 8 | 8 | 8 | 8 |
| 40 | K300230803 | ECROU RAPID M8 C 4808 C | NUT RAPID M8 C 4808C | 2 | 2 | 2 | 2 |
| 41 | K300431001 | RONDELLE CONTACT M 10 | WASHER M10 | 1 | 1 | 1 | 1 |
| 42 | K300400601 | RONDELLE PLATE 18 x 6.25 x 1.2 ZN | WASHER 18 X 6.25 X 1.2 ZN | 3 | 3 | 3 | 3 |
| 43 | K300401103 | RONDELLE PLATE 30 x 11 x 5 ZN | WASHER 30 X 11 X 5 ZN | 2 | 2 | 2 | 2 |
| 44 | K300011014 | VIS TH 10 x 70 ZN | SCREW TH 10 X 70 ZN | 1 | 1 | 1 | 1 |
| 45 | K300060302 | VIS TH3/8 UNF1 ZING | SCREW TH 3/8 UNF1 ZN | 1 | 1 | 1 | 1 |
| 46 | K300010617 | VIS H 6 x 10 EMB CR | SCREW H 6 X 10 NOTCHED SHOULDER | 6 | 6 | 6 | 6 |
| 47 | K300010601 | VIS H 6 x 16 EMB CR | SCREW H NOTCHED SHOULDER 6 X 16 | 5 | 5 | 5 | 5 |
| 48 | K300010802 | VIS EMB CR 8 x 20 | SCREW H NOTCHED SHOULDER 8 X 20 | 12 | 12 | 12 | 14 |
| 49 | K300010801 | VIS H EMB CR 8 x 25 | SCREW H NOTCHED SHOULDER 8 X 25 | 2 | 2 | 2 | 2 |
| 50 | K300010803 | VIS H EMB CR 8 x 40 | SCREW H NOTCHED SHOULDER 8 X 40 | 2 | 4 | 4 | 2 |
| 51 | K300430801 | RONDELLE CONTACT M8 | WASHER M8 | 1 | - | - | - |
| 52 | 0300010822 | VIS H 8x70/22 Z CL8.8 DIN 931 | Screw HM8x70z DIN 931 - ISO 4014 | 1 | - | - | - |
| 53 | K503000047- | AUTOCOLLANT NETTOYAGE DU MOTEUR | STICKER "ENGINE CLEANING" | 1 | 1 | 1 | 1 |
| 54 | K503000015- | AUTOCOLLANT LIRE LA NOTICE | STICKER " READ THE MANUAL BEFORE USE" | 1 | 1 | 1 | 1 |

* Le service après vente: s'adresser au réseau motoriste concerné
For the engine's spare parts, please contact the motor's retailer network



| Rep N° | Ref. | Désignation | Description | Qté |
|--------|-------------|--|-----------------------------------|-----|
| 101 | KJ02031610 | RENFORT TAMBOUR NOIR | STRENGTH WASHER FOR THE DISK | 1 |
| 102 | KJ02031603 | BOL NOIR | BLADE PLATE | 1 |
| 103 | KJ02031601 | DISQUE SUPPORT COUTEAUX NOIR | DISK | 1 |
| 104 | KJ02031106 | BANDEAU GAUCHE GRIS RAL7021 | GREY RAL7021 LEFT SIDE DEFLEC. | 1 |
| 104 | KJ02031405 | BANDEAU GAUCHE GRIS RAL8120 | GREY RAL8120 LEFT SIDE DEFLEC. | 1 |
| 105 | KJ02031105 | BANDEAU DROIT GRIS RAL7021 | GREY RAL7021 RIGHT SIDE DEFLE. | 1 |
| 105 | KJ02031404 | BANDEAU DROIT GRIS RAL8120 | GREY RAL8120 RIGHT SIDE DEFLE. | 1 |
| 106 | KJ02031103 | DEFLECTEUR GRIS RAL7021 | GREY RAL7021 BACK DEFLECTOR | 1 |
| 106 | KJ02031403 | DEFLECTEUR GRIS RAL8120 | GREY RAL8120 BACK DEFLECTOR | 1 |
| 107 | KJ02031102 | SUPPORT PALIER GRIS RAL7021 | GREY RAL7021 BLADE AXLE SUPPO. | 1 |
| 107 | KJ02031401 | SUPPORT PALIER GRIS RAL8120 | GREY RAL8120 BLADE AXLE SUPPO. | 1 |
| 108 | KJ02030205 | PALIER FIXATION BOL SOUDE ZINGUE | BLADE PLATE HUB | 1 |
| 109 | KJ02030203 | LEVIER PORTE FREIN SOUDE ZINGUE | BRAKE SUPPORT LEVER | 1 |
| 110 | KJ02030202 | PLAT GALET DE TENSION DE COURROIE RM PLIE ZN | CLUTCH PULLEY SUPPORT | 1 |
| 111 | KJ02030201 | LEVIER EMBRAYAGE SOUDE ZINGUE | CLUTCH PLATE | 1 |
| 112 | KJ01030016 | GARNITURE FREIN RIVETEE | BRAKE | 1 |
| 113 | KE02020203 | PATTE GUIDAGE EMBRAYAGE ZN | CLUTCH ALIGNER | 2 |
| 114 | K503000003- | AUTOCOLLANT DISTANCE DE SECURITE | STICKER "SECURITY DISTANCE" | 1 |
| 115 | K503000002- | AUTOCOLLANT DANGER SECTIONNEMENT | STICKER "CAUTION : CUTTING PARTS" | 1 |
| 116 | K342000007 | CAOUTCHOUC SUPPORT CAPOT | BONNET SUPPORT (RUBBER) | 4 |
| 117 | K340000017 | GALET EMBRAYAGE | CLUTCH PULLEY | 2 |
| 118 | K340000015 | CAPOT COURROIE ROUGE | RED BONNET | 1 |
| 118 | K340000027 | CAPOT COURROIE JAUNE | YELLOW BONNET | 1 |
| 118 | K340000061 | CAPOT COURROIE VERT | GREEN BONNET | 1 |
| 118 | 0340040008 | CAPOT COURROIE ORANGE | ORANGE BELT COVER | 1 |
| 119 | K306030036 | COURROIE LB50 | V BELT LB50 | 1 |
| 120 | K306010024 | ROULEMENT 6006 2 RS 30 x 55 x 13 | BEARING 6006 2RS 30 x 55 x 13 | 2 |
| 121 | K306010015 | ROULEMENT 6005 2 RS 25 x 47 x 12 | BEARING 6005 2 RS 25 X 47 X 12 | 2 |
| 122 | K306010014 | ROULEMENT 6000 2 RS | BEARING 6000 2 RS | 1 |
| 123 | K305010010 | RESSORT FREIN DE LAME | SPRING FOR BRAKE | 1 |
| 124 | K305010009 | RESSORT DE RAPPEL | SPRING | 1 |
| 125 | K305010008 | RESSORT DE TRACTION | SPRING | 1 |
| 126 | K303030016 | RONDELLE PROTECTION ARBRE | PROTECT WASHER | 1 |
| 127 | K302030070 | TUBE ENTRETOISE PALIER | ROUND SPACER FOR BLADE PLATE HUB | 1 |
| 128 | K302030068 | POULIE DE LAME | BLADE PULLEY | 1 |
| 129 | K302020068 | ENTRETOISE COUTEAUX | ROUND SPACER FOR KNIFE | 4 |
| 130 | K302020066 | ENTRETOISE ARBRE PORTE LAME | ROUND SPACER FOR THE BLADE AXLE | 1 |
| 131 | K302020065 | ENTRETOISE SERRAGE DISQUE | ROUND SPACER FOR THE DISK | 1 |
| 132 | K302020064 | ENTRETOISE | ROUND SPACER | 2 |
| 133 | K302020055 | RONDELLE EP 8 | WASHER HEIGHT 8 | 1 |
| 134 | K302020051 | ENTRETOISE 10 x 20 x 6 | ROUND SPACER 10 X 20 X 6 | 1 |
| 135 | K302010068 | ARBRE PORTE LAME ROTOMAX | BLADE AXLE | 1 |
| 136 | K302000084 | RONDELLE SERRAGE DISQUE | WASHER FOR THE DISK | 1 |
| 137 | K301070014 | CIRCLIPS INTERIEUR DE 55 DIN | CIRCLIPS INT 55 DIN | 2 |
| 138 | K301040014 | CLAVETTE 5 x 5 x 30 | KEY 5 X 5 X 30 | 1 |
| 139 | K300441201 | RONDELLE EVENTAIL AZ 12 ZN | WASHER AZ 12 ZN | 1 |
| 140 | K300441001 | RONDELLE EVENTAIL AZ 10 ZN | WASHER AZ 10 ZN | 6 |
| 141 | K300430801 | RONDELLE CONTACT M8 | WASHER M8 | 3 |
| 142 | K300401103 | RONDELLE PLATE 30 x 11 x 5 ZN | WASHER 30 X 11 X 5 ZN | 9 |
| 143 | K300400802 | RONDELLE PLATE 18 x 8 x 1.5 | WASHER 18 X 8 X 1.5 | 3 |
| 144 | K300261001 | ECROU H M10 EMB CR | NUT H M10 NOTCHED SHOULDER | 9 |
| 145 | K300260801 | ECROU H M8 EMB CR | NUT H M8 NOTCHED SHOULDER | 7 |
| 146 | K300260601 | ECROU H M6 Z EMB CR | NUT H M6 Z NOTCHED SHOULDER | 7 |
| 147 | K300230802 | ECROU ' RAPID' DE 8 C4808 B | NUT RAPID M8 C 4808B | 3 |
| 148 | K300211001 | ECROU FREIN M10 | BLOCKING NUT M10 | 7 |
| 149 | K300200801 | ECROU HU M8 | NUT HU M8 | 2 |
| 150 | K300200602 | ECROU HU M6 | NUT HU M6 | 2 |
| 151 | K300090804 | VIS A GAUCHE 8 x 25 | SCREW Z 8 X 25 | 1 |
| 152 | K300090801 | PITON A OEIL | SCREW | 1 |
| 153 | K300081004 | VIS TRCC 10 x 50 | SCREW TRCC 10 X 50 | 1 |
| 154 | K300020804 | VIS CHC 8 x 35 ZN | SCREW CHC 8 X 35 ZN | 3 |
| 155 | K300011204 | VIS TH 12 x 25 ZN | SCREW TH 12 X 25 ZN | 1 |
| 156 | K300011028 | VIS TH 10 x 30 8.8 ZN | SCREW TH 10 X 30 8.8 ZN | 4 |
| 157 | K300011025 | VIS H 10 x 25 EMB CR | SCREW H NOTCHED SHOULDER 10 X 25 | 10 |
| 158 | K300011010 | VIS HM 10 x 35 | SCREW HM 10 x 35 | 1 |
| 159 | K300010817 | VIS TH 8 x 25 ZN | SCREW TH 8 X 25 ZN | 3 |
| 160 | K300010814 | VIS H M8 x 16 | SCREW H M8 X 16 | 2 |
| 161 | K300010802 | VIS EMB CR 8 x 20 | SCREW H NOTCHED SHOULDER 8 X 20 | 6 |
| 162 | K300010619 | VIS H 6 x 20 EMB CR | SCREW H NOTCHED SHOULD. 6 X 20 | 2 |
| 163 | K300010601 | VIS H 6 x 16 EMB CR | SCREW H NOTCHED SHOULDER 6 X 16 | 5 |
| 164 | K003050036 | COUTEAU | KNIFE | 4 |
| 165 | K302030067 | PALIER COUPELLE | Blade guard bearing | 1 |
| 166 | KC04010022 | VIS BIELETTE EMBRAYAGE | CLUTCH SCREW | 1 |



| Rep N° | Ref. | Désignation | Description | Qté | |
|--------|-------------|--|--|-----|-----------------------|
| 201 | KJ02031605 | SUPPORT MANCHERON NOIR | BLACK HANDLEBAR BASE | 1 | |
| 202 | KJ02031406 | MANCHERON GRIS RAL8120 | GREY RAL8120 HANDLEBAR | 1 | |
| 202 | KJ02031104 | MANCHERON GRIS ALU | ALU GREY HANDLEBAR | 1 | |
| 202 | KJ02031604 | MANCHERON NOIR | BLACK HANDLEBAR | 1 | |
| 202 | KJ02030801 | MANCHERON JAUNE | YELLOW HANDLEBAR | 1 | |
| 203 | K503000031- | AUTOCOLLANT ACCELERATEUR STOP SANS STARTER | STICKER "ENGINE SPEED VARIATION" WITHOUT STARTER | 1 | B&S RV225 |
| 204 | K503000005- | AUTOCOLLANT ACCELERATEUR STOP + STARTER | STICKER "SPEED VARIATION" WITH STARTER | 1 | HONDA |
| 205 | K341000011 | OBTURATEUR 10 x 7 x 6.5 | CAP 10 X 7 X 6.5 | 2 | |
| 206 | K330030202- | SWITCH MOTEUR SUBARU | SWITCH SUBARU ENGINE | 1 | EA190V |
| 207 | K308040011 | CABLE COMMANDE DES GAZ | THROTTLE CABLE | 1 | B&S HONDA RV225 |
| 208 | K308020007 | CABLE EMBRAYAGE DE LAME | BLADE CLUTCH CABLE | 1 | |
| 209 | K308010018 | CABLE AVANCE | FORWARD CLUTCH CABLE | 1 | |
| 210 | K307020005 | POIGNEE CAOUTCHOUC DIAM 25 | GRIP | 2 | |
| 211 | K307010023 | LEVIER SIMPLE | CLUTCH LEVER | 1 | |
| 212 | K307010014 | LEVIER AVEC SECURITE | BLADE CLUTCH LEVER | 1 | |
| 213 | K301060001 | COLLIER PLASTIQUE | COLLAR | 2 | |
| 214 | K300401103 | RONDELLE PLATE 30 x 11 x 5 ZN | WASHER 30 X 11 X 5 ZN | 2 | |
| 215 | K300211001 | ECROU FREIN M10 | BLOCKING NUT M10 | 2 | |
| 216 | K300210601 | ECROU FREIN H M6 | BLOCKING NUT M6 | 1 | |
| 217 | K300080603 | BOULON TRCC 6 x 45 | SCREW TRCC 6 X 45 | 1 | |
| 218 | K300011025 | VIS H 10 x 25 EMB CR | SCREW H NOTCHED SHOULDER 10 X 25 | 2 | |
| 219 | K300011009 | VIS TH 10 x 25 ZN | SCREW TH 10 X 25 ZN | 2 | |
| 220 | K307020010 | POIGNEE GAZ | THROTTLE LEVER | 1 | B&S HONDA RV225 |