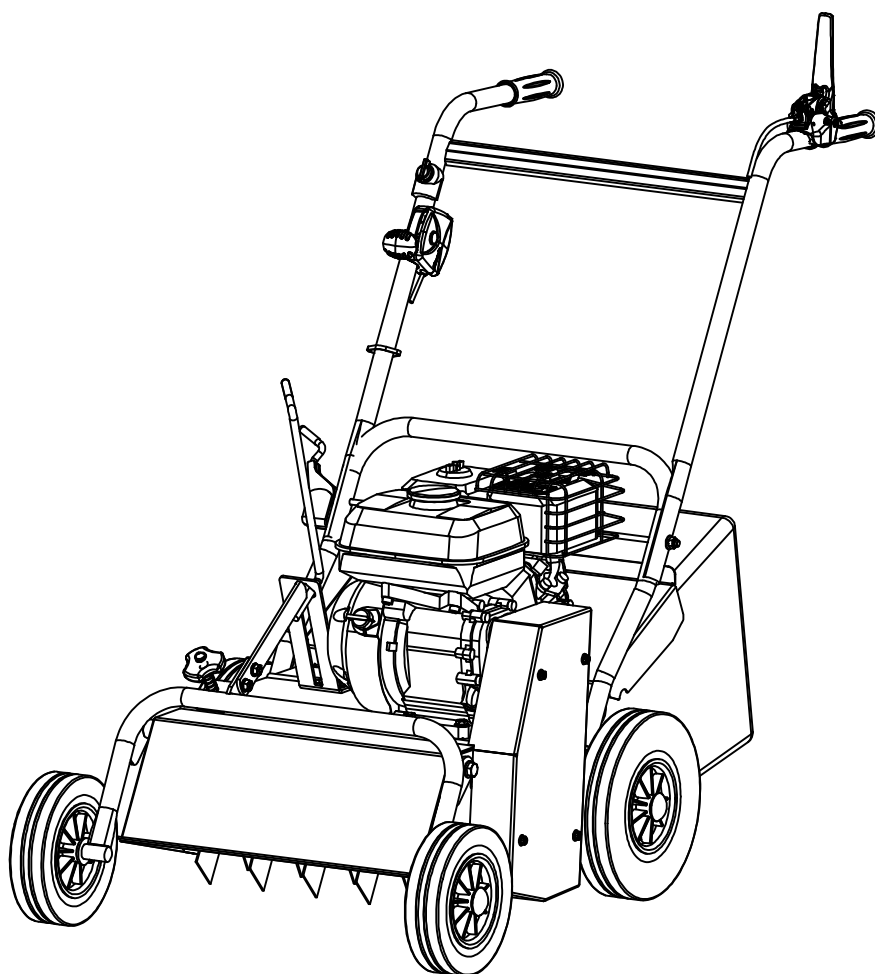
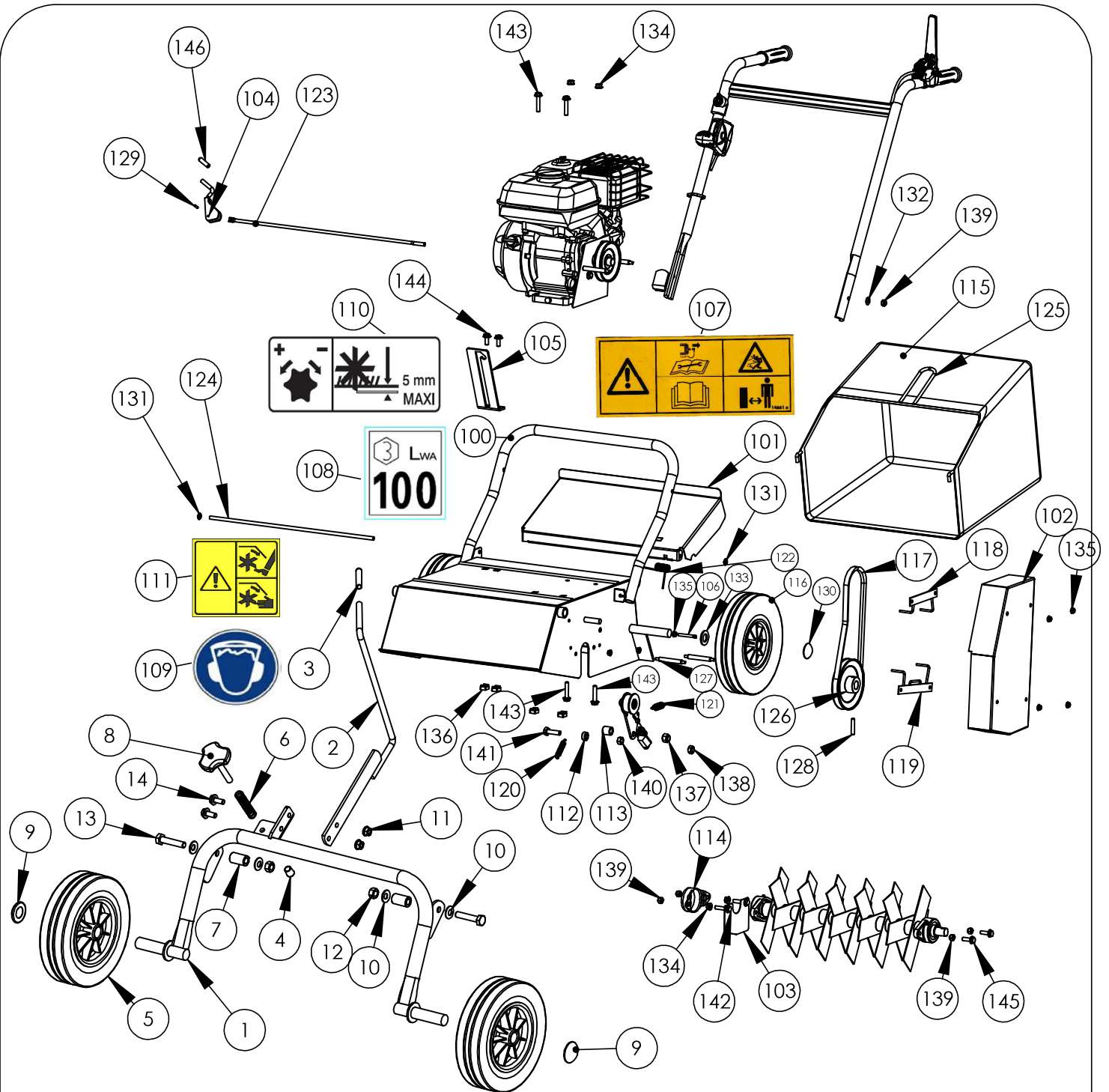


Pièces de rechange Spare parts list

K10001****

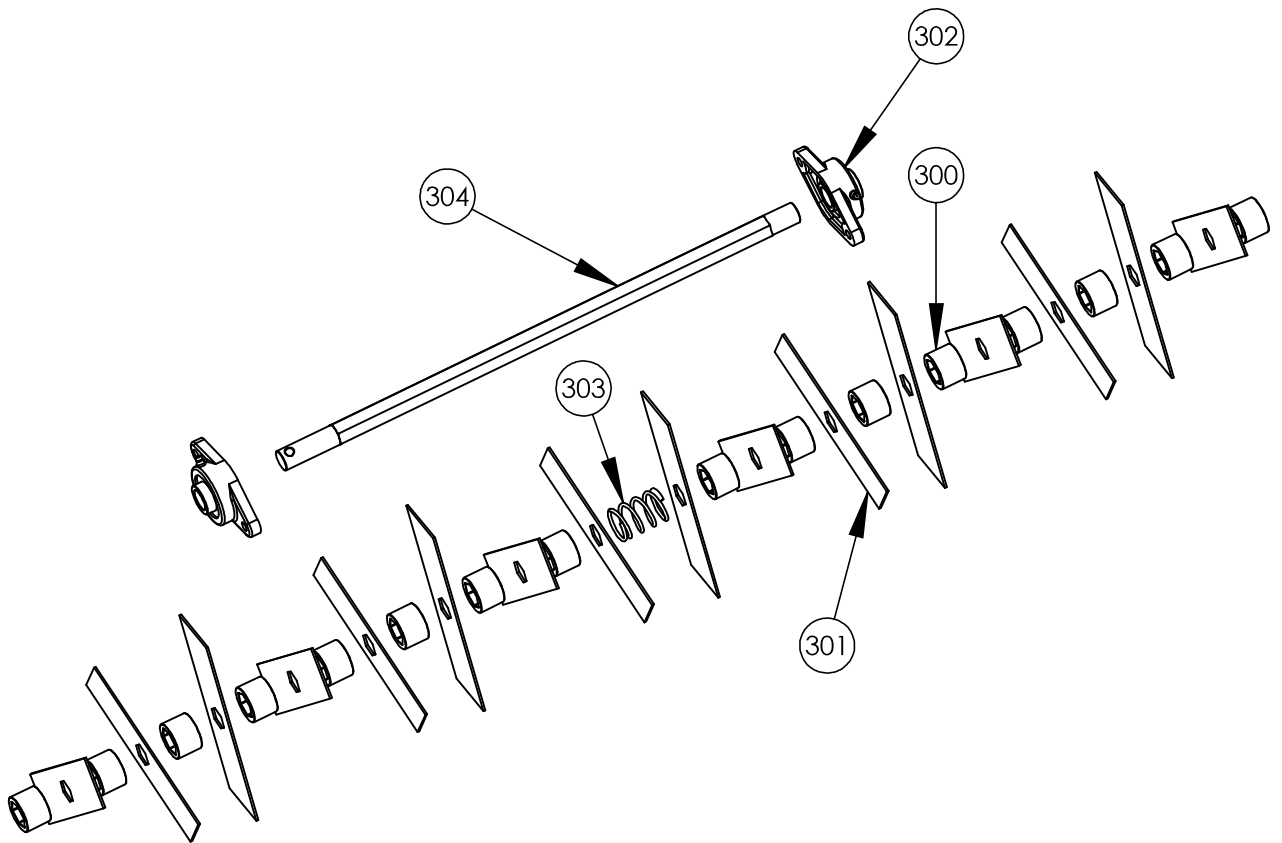
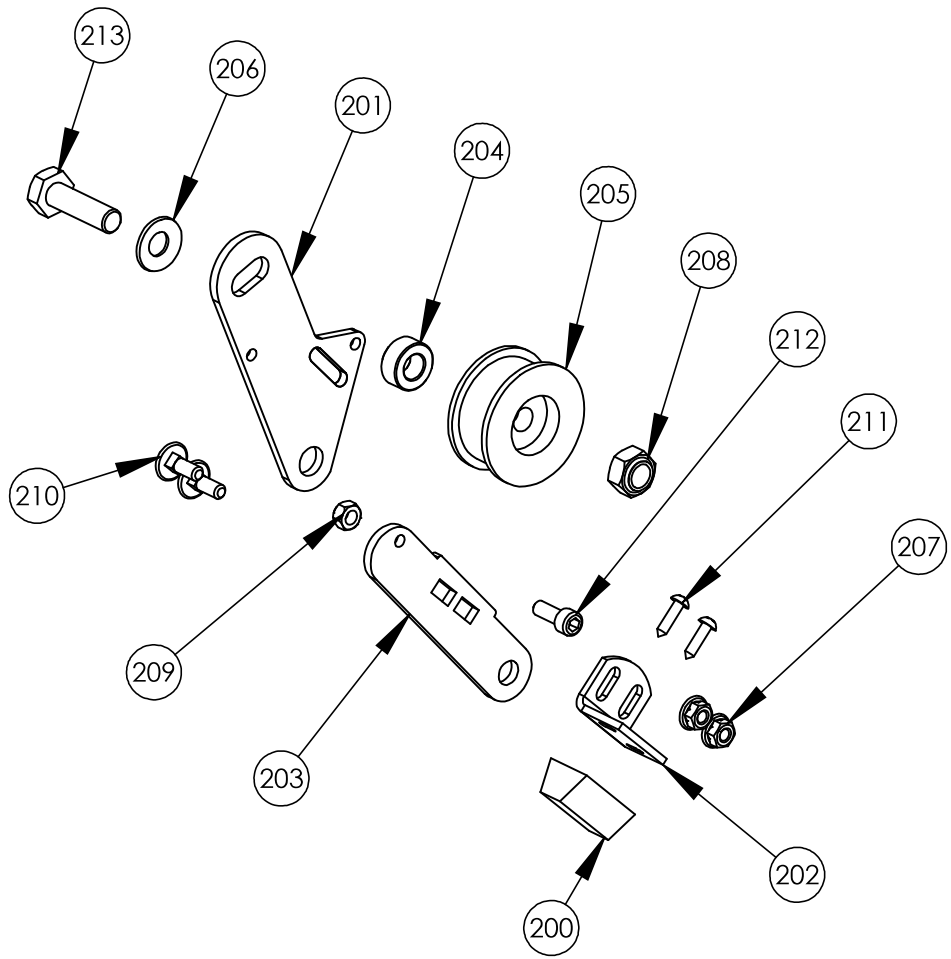


**SCARIFICATEUR
SCARIFIER**



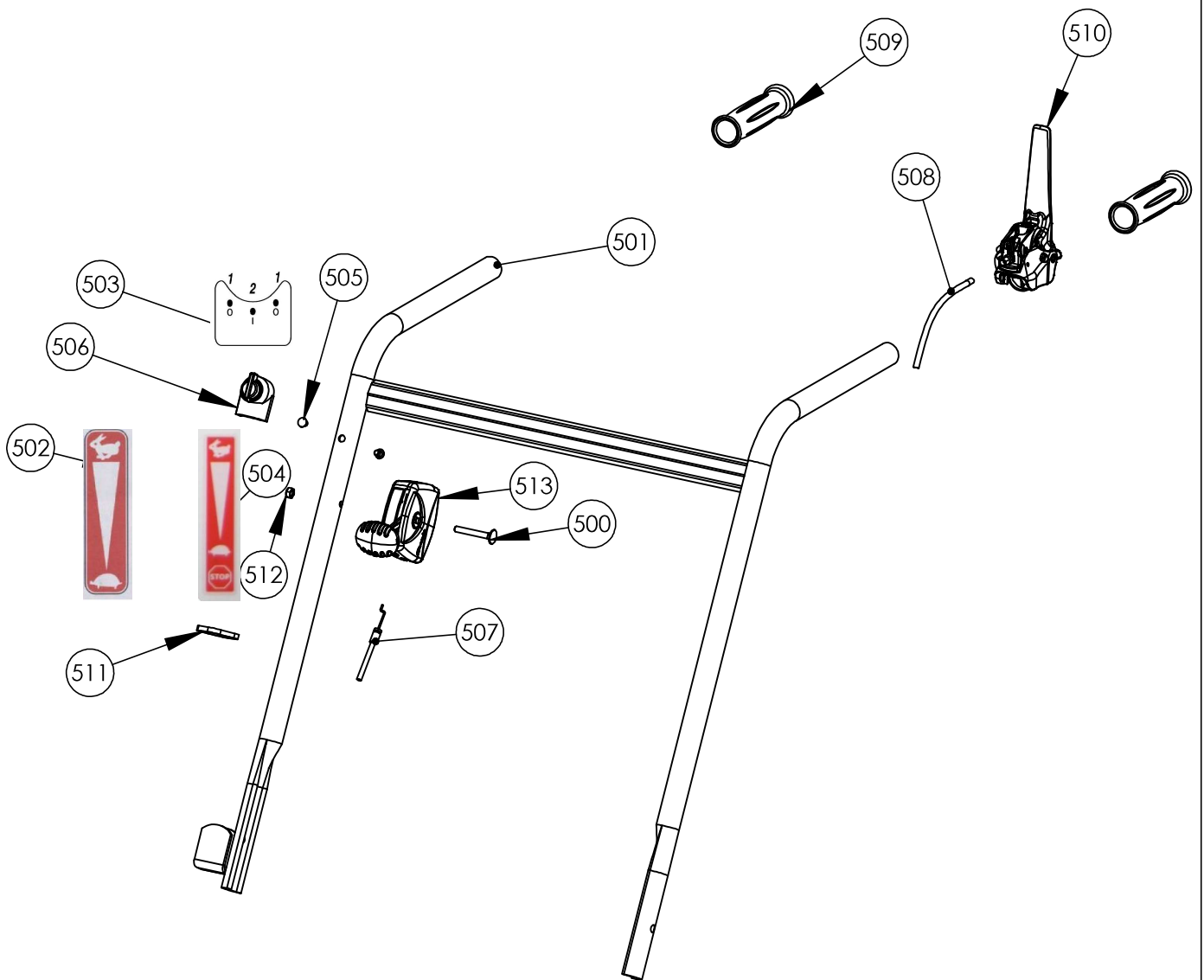
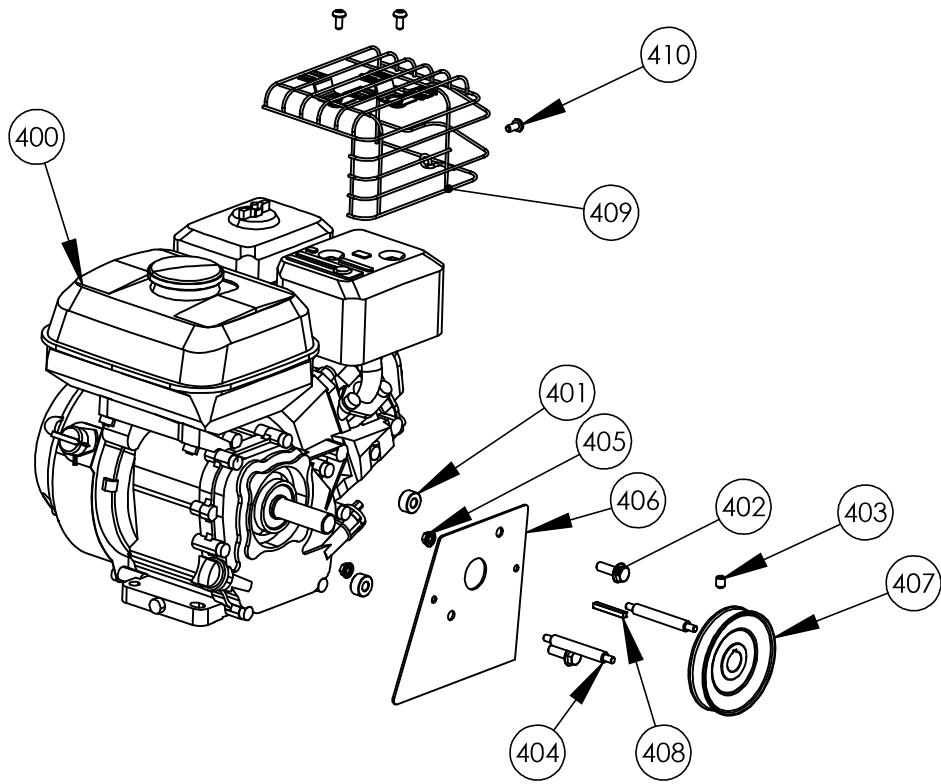
Rep N°	Ref.	Désignation	Description	Qté
1	KI02011603	TRAIN AVANT SCARIF 40 NOIR	BLACK FRONT AXLE	1
1	KI02011101	TRAIN AVANT SCARIF 40 GRIS ALU	ALU GRAY FRONT AXLE	1
1	KI02011201	TRAIN AVT SCARIF40 GRIS FONCE	DARK GRAY FRONT AXLE	1
2	KI02010202	LEVIER DE RELEVAGE SCARIF SOUDE	LIFT HANDLE	1
3	K341000012	EMBOU PLASTIQUE DIAMETRE 9 x 50	END PIECE LENGTH : 50	1
4	K341000006	EMBOU ROND ENVELOPPANT	PLASTIC CAP	1
5	K309000011	ROUE DIAM 200	WHEEL DIAM 200	2
6	K305020005	RESSORT POIGNEE REGLAGE HAUT	SPRING	1
7	K302020017	ENTRETOISE ARTICULATION	ROUND SPACER	2
8	K300801001	MOLETTE REGLAGE HAUT. M10	HEIGHT LEVEL ADJUSTMENT	1
9	K300702001	ENJOLIVEUR Ø20	TRIM STOPPER	2
10	K300431001	RONDILLE CONTACT M 10	WASHER M10	4
11	K300260801	ECROU H M8 EMB CR	NUT H M8 NOTCHED SHOULDER	2
12	K300201001	ECROU HU M10	NUT HU M10	2
13	K300011012	VIS TH 10 x 50 ZN	SCREW TH 10 X 50 ZN	2
14	K300010802	VIS EMB CR 8 x 20	SCREW H NOTCHED SHOULDER 8 X 20	2

Rep N°	Ref.	Désignation	Description	Qté
100	KI02013602	CARTER SCARIF SOUDE BLEU	BLUE SCARIF CARTER	1
100	KI02012101	CARTER SCARIF SOUDE VERT	GREEN SCARIF CARTER	1
100	KI02010702	CARTER SCARIF SOUDE ROUGE RAL 3000	RED RAL 3000 SCARIF CARTER	1
100	KI02010602	CARTER SCARIF SOUDE ROUGE RAL 3002	RED RAL 3002 SCARIF CARTER	1
100	KI02012602	CARTER SCARIF SOUDE ORANGE	ORANGE SCARIF CARTER	1
101	KI02011604	VOLET NOIR	BLACK BACK SHUTTER	1
102	KI02011601	CAPOT COURROIE SCARIF NOIR	BLACK BELT CARTER SCARIF	1
103	KI02010402	PROTECTION CARTER SCARIF ZN NOIR	BLACK PROTECTIVE CARTER	1
104	KI02010209	LEVIER VERROUILLAGE MANCHERON	HANDLEBAR LOCKING LEVER	1
105	KI02010204	SELECTEUR HAUTEUR SCARIF ZN	WORK LEVEL SELECTION TOOL	1
106	KC04010022	VIS BIELETTE EMBRAYAGE	CLUTCH SCREW	1
107	K503000029-	AUTOCOLLANT PRECAUTION D'EMPLOI	STICKER "CAUTION OF USE"	1
108	K503000019-	AUTOCOLLANT 100 D.B.A.	STICKER 100 D.B.A.	1
109	K503000012-	AUTOCOLLANT CASQUE	STICKER "EARMUFF"	1
110	K503000008-	AUTOCOLLANT REGLAGE HAUTEUR DE COUPE	STICKER "HEIGHT ADJUSTMENT"	1
111	K503000007-	AUTOCOLLANT DANGER SECTIONNEMENT	STICKER "DANGER"	1
112	K341000010	ENTRETOISE PLASTIQUE FREIN SCARIF	ROUND SPACER FOR BRAKES	1
113	K341000009	ENTRETOISE LEVIER EMBRAYAGE SCARIF	ROUND SPACER	1
114	K340000044	CACHE PALIER	BEARING COVER	1
115	K320070001	PANIER SCARIFICATEUR	BAG	1
116	K309000012	ROUE DIAM 250	WHEEL DIAM 250	2
117	K306030028	COURROIE LA33	BELT LA33	1
118	K305030009	PLAQUE DEBRAYAGE SUPERIEURE SCARIF	UPPER DECLUTCHING PLATE	1
119	K305030006	PLAQUE DE DEBRAYAGE INFERIEURE	LOWER DECLUTCHING PLATE	1
120	K305010011	RESSORT RAPPEL LEVIER EMBRAYAGE	SPRING	1
121	K305010006	RESSORT DE RAPPEL	SPRING	1
122	K305010004	RESSORT DE VOLET	SPRING FOR BACK SHUTTER	1
123	K305000017	TIGE FILETEE VERROUILLAGE MANCHERON SCARIF 40	HANDLEBAR LOCKING AXLE	1
124	K305000003	AXE DE FIXATION VOLET SCARIFICATEUR	AXLE OF BACK SHUTTER	1
125	K305000002	ARMATURE PANIER SCARIF NOIR	BAG SKELETON	1
126	K303020011	POULIE ROTOR SCARIF 40	ROTOR'S PULLEY	1
127	K302010022	AXE EPAULE FIXATION CAPOT	CARTER INSTALLATION AXLE	2
128	K301020005	GOUPILLE ROULEE 8 X 40	COTTER PIN 8x40 HBK	1
129	K301020003	GOUPILLE HBK 4 X 16	COTTER PIN 4x16 HBK	1
130	K300702001	ENJOLIVEUR Ø20	TRIM STOPPER	2
131	K300460801	RONDELLE STARLOCK DIAM 8	WASHER STARLOCK DIAM 8	2
132	K300430801	RONDELLE CONTACT M8	WASHER M8	1
133	K300402001	RONDELLE PLATE 20 X 36 X 3	PLATE WASHER 20 X 36 X 3	2
134	K300260801	ECROU H M8 EMB CR	NUT H M8 NOTCHED SHOULDER	4
135	K300260601	ECROU H M6 Z EMB CR	NUT H M6 Z NOTCHED SHOULDER	8
136	K300230802	ECROU ' RAPID' DE 8 C4808 B	NUT RAPID M8 C 4808B	4
137	K300211201	ECROU FREIN M12	NUT BRAKE M10	1
138	K300211001	ECROU FREIN M10	BLOCKING NUT M10	1
139	K300210801	ECROU FREIN H M8	NUT,NYLOC M8	5
140	K300201001	ECROU HU M10	NUT HU M10	1
141	K300011010	VIS HM 10 x 35	SCREW HM 10 x 35	1
142	K300010831	Vis HM 8x35 EMB CR	SCREW HM 8x35 notched shoulder	2
143	K300010803	VIS H EMB CR 8 x 40	SCREW H NOTCHED SHOULDER 8 X 40	4
144	K300010802	VIS EMB CR 8 x 20	SCREW H NOTCHED SHOULDER 8 X 20	2
145	K300010801	VIS H EMB CR 8 x 25	SCREW H NOTCHED SHOULDER 8 X 25	2
146	0341000125	EMBOUIT TYPE A-Ø 7.5 x 35	CAP Ø 7.5 x 35	1



Rep N°	Ref.	Désignation	Description	Qté
200	KI04010016	FREIN ROTOR SCARIF	ROTOR'S BRAKE	1
201	KI02010208	LEVIER EMBRAYAGE SCARIF ZN	CLUTCH LEVER	1
202	KI02010207	EQUERRE FIXATION COURROIE DE FREIN PLIEE	FIXING BRAKE CARPENTER'S SQUARE	1
203	KI02010206	LEVIER FIXATION FREIN SCARIF TARAUDE	FIXING BRAKE PLATE	1
204	K341000013	ENTRETOISE 10.5 x 20 x 9	ROUND SPACER 10.5 x 20 x 9	1
205	K306010001	GALET EMBRAYAGE	CLUTCH PULLEY	1
206	K300431001	RONDELLE CONTACT M 10	WASHER M10	1
207	K300260601	ECROU H M6 Z EMB CR	NUT H M6 Z NOTCHED SHOULDER	2
208	K300211001	ECROU FREIN M10	BLOCKING NUT M10	1
209	K300200602	ECROU HU M6	NUT HU M6	1
210	K300080601	VIS TRCC 6 x 16	SCREW TRCC 6 x 16	2
211	K300070401	VIS TOLE TCL POZ 4.2 x 15.9 ZN	SCREW POZI DRIVE 4.2 x 15.9	2
212	K300020603	VIS CHC 6 x 16 ZN	SCREW CHC 6 X 16 ZN	1
213	K300011010	VIS HM 10 x 35	SCREW HM 10 x 35	1

Rep N°	Ref.	Désignation	Description	Qté
300	K340000038	ENTRETOISE PLAST HEXA 22.7 x 35.75 X 25	SPACER H 22.7 x 35.75 x 25	16
301	K320020002	COUTEAUX FIXES SCARIFICATEUR	KNIFE	16
302	K306010011	PALIER FONTE DIAM=20	SELF ALIGNING BEARING UNIT	2
303	K305020006	RESSORT ROTOR	ROTOR SPRING	1
304	K302010005	ARBRE ROTOR COUTEAUX FIXES SCARIF 40	ROTOR AXLE	1



Rep N°	Ref	Désignation	Description	GX120 Qté	BS550 Qté	GP160 Qté	BS CR750 Qté	BS XR750 Qté	GX160 Qté
400	K330020110	BS 550 SERIES *	BS 550 SERIES *	-	1	-	-	-	-
400	0330021024	(BS 750 series - HORIZONTAL)		-	-	-	-	1	-
400	0330021040	BRIGGS CR750 DUAL ELEMENT	BRIGGS CR750 DUAL ELEMENT	-	-	-	1	-	-
400	0330011043	HONDA GP 160		-	-	1	-	-	-
400	K330010105	MOTEUR HONDA GX120 *	HONDA GX120 ENGINE *	1	-	-	-	-	-
400	0330011045	HONDA GX160 BLACK		-	-	-	-	-	1
401	K302020034	ENTRETOISE TOLE PROTECTION SCARIF	ROUND SPACER	2	2	2	2	2	2
402	0300060503	VIS 5/16 TH24 UNF1"(LG25)EMB	SCREW 5/16 TH24 UNF LG 25	2	2	2	-	-	2
402	0300010838	VIS H 8x25 Z EMB CR DIN 6921	SCREW H 8x25 Z DIN 6921	-	-	-	2	2	-
403	0300040803	VIS STHC 8 X 10 BT Cuvette	Screw ST HC M8x10z (cup point)	1	1	1	1	1	1
404	K302010022	AXE EPAULE FIXATION CAPOT	CARTER INSTALLATION AXLE	2	2	2	2	2	2
405	0300260601	ECROU HM 6 ZEMB CR DIN 6923	NUT H M6 Z NOTCHED SHOULDER	2	2	2	2	2	2
406	KI02011602	TOLE PROTECTION POULIE MOTEUR SCARIF NOIR	CARTER FOR ENGINE'S PULLEY	1	1	1	1	1	1
407	K303020010	POULIE MOTEUR SCARIF	ENGINE'S PULLEY	1	1	1	1	1	1
408	K301040002	CLAVETTE B.DROIT 4.76 x 4.76 x 37	KEY 4.76 X 4.76 X 37	1	1	1	1	1	1
409	0330012009	GRILLE ECHAP GP160	EXHAUST GRILL GP160	-	-	1	-	-	1
409	K330010201	GRILLE ECHAP GX120/GX160	EXHAUST GRILL GX120/GX160	1	-	-	-	-	-
410	0300080602	VIS TOLE TCB POZI 6,3 X 13 Z	POZIDRIVE SCREW M6x13Z	3	-	3	-	-	3

* Le service après vente moteur : S'adresser au réseau motoriste concerné.

* Obvious guarantee : Contact the motorist sales network

Rep N°	Ref.	Désignation	Description	Qté	
501	KI02011102	MANCHERON SCARIF 40 GRIS ALU	ALU GRAY HANDLEBAR	1	
501	KI02011202	MANCHERON SCARIF 40 GRIS FONCE	DARK GRAY HANDLEBAR	1	
501	KI02011605	MANCHERON SCARIF 40 SOUDE NOIR	BLACK HANDLEBAR	1	
502	K503000037-	ETIQU. GAZ (SS STOP SS START)	STICKER THROTTLE	1	HONDA-XR750
503	K503000032-	AUTOCOLLANT SWITCH	SWITCH STICKER	1	HONDA
504	K503000031-	AUTOCOLLANT ACCELERATEUR STOP SANS STARTER	STICKER "ENGINE SPEED VARIATION" WITHOUT STARTER	1	
505	K341000011	OBTURATEUR 10 x 7 x 6.5	CAP 10 X 7 X 6.5	2	
506	K330020201-	CONTACTEUR BS XR750	SWITCH BS XR750 ENGINE	1	XR750
506	K330010203	SWITCH MOTEUR HONDA	SWITCH HONDA ENGINE	1	HONDA
507	K308040012	CABLE COMMANDE DES GAZ	THROTTLE CABLE	1	
508	K308020009-	CABLE EMBRAYAGE	CLUTCH CABLE	1	
509	K307020005	POIGNEE CAOUTCHOUC DIAM 25	GRIP	2	
510	K307010018	LEVIER EMBRAYAGE	CLUTCH LEVER	1	
511	0301060020	COLLIER PLASTIQUE CORLING	COLLAR	4	
511	0301060021	COLLIER PLASTIQUE CORLING	TIE-CABLE	4	
512	0300210602	ECROU FREIN M 6 Z DIN 985-8	BLOCKING NUT M 6 Z	1	
513	K307020010	POIGNEE GAZ	THROTTLE LEVER	1	