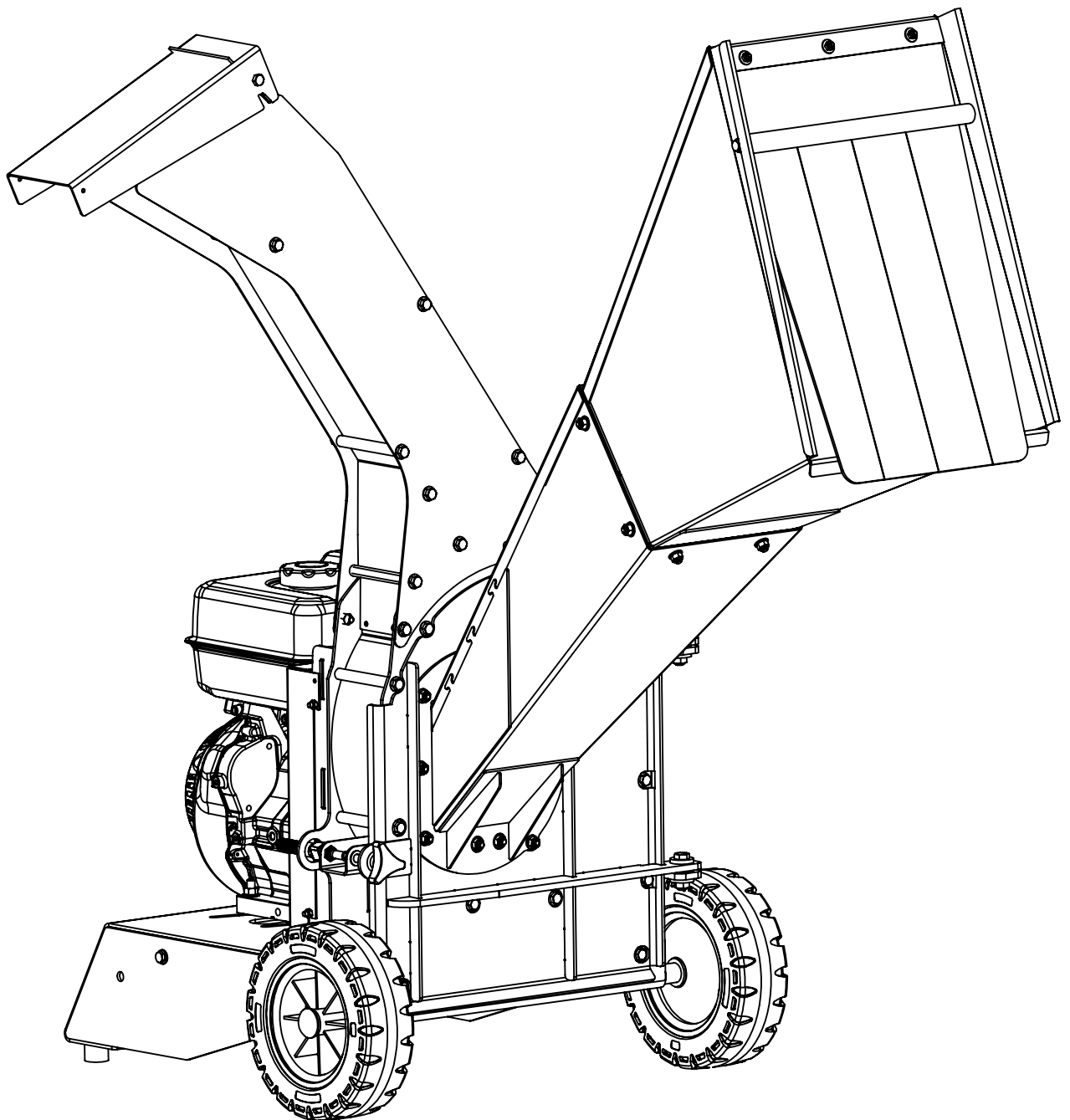
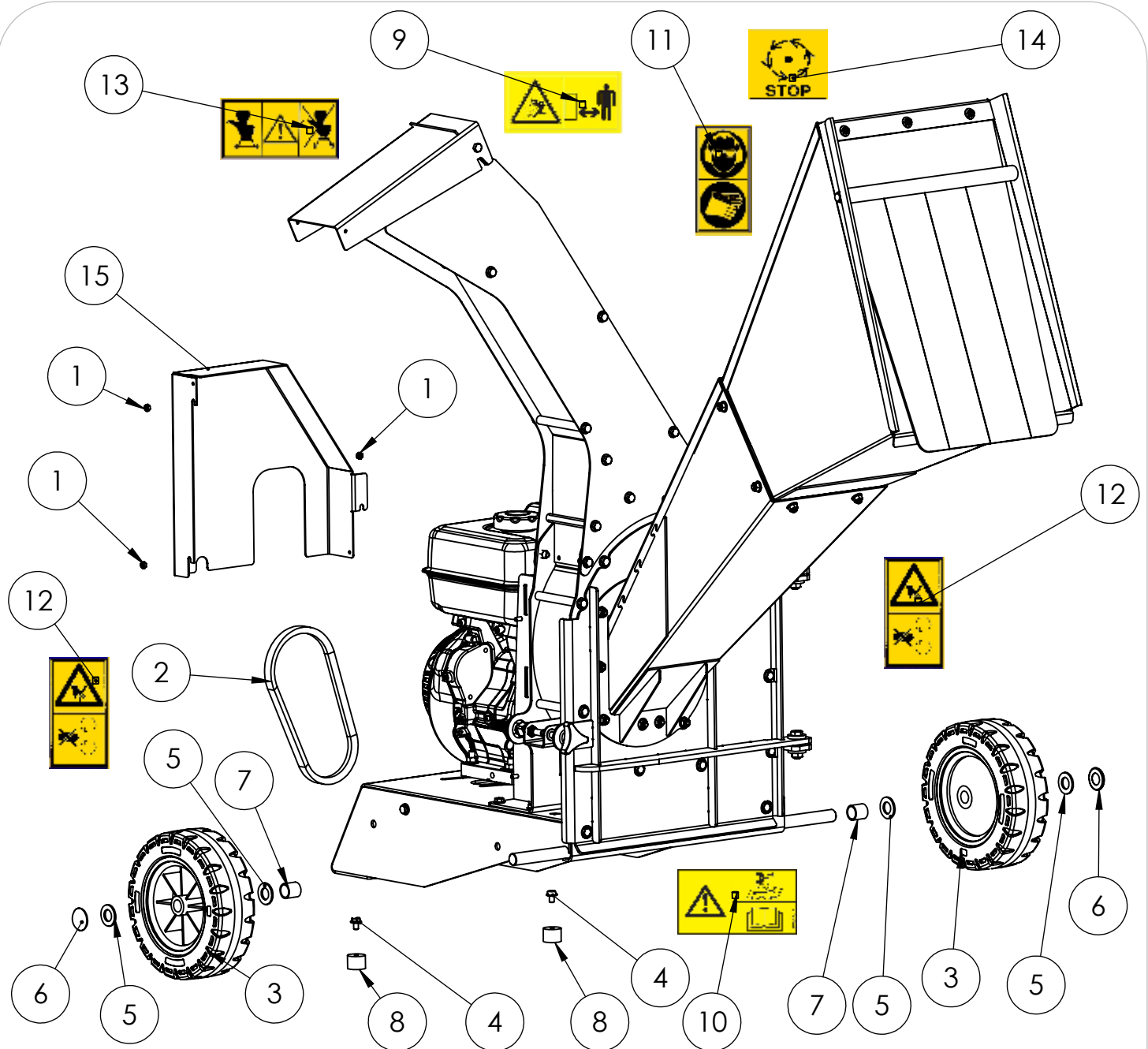


# Pièces de rechange Spare parts list

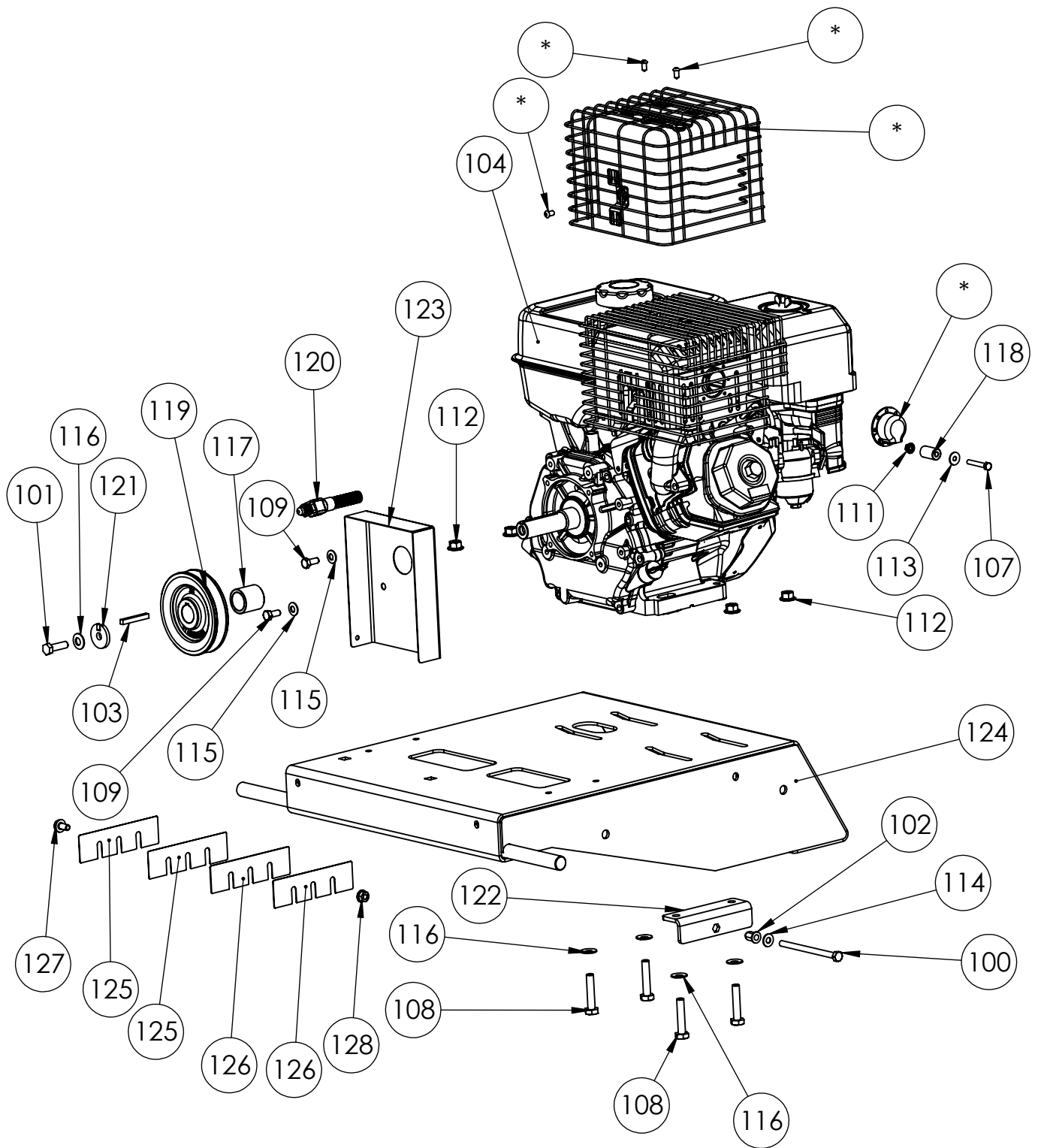
## **KL00\*\*06\*\***



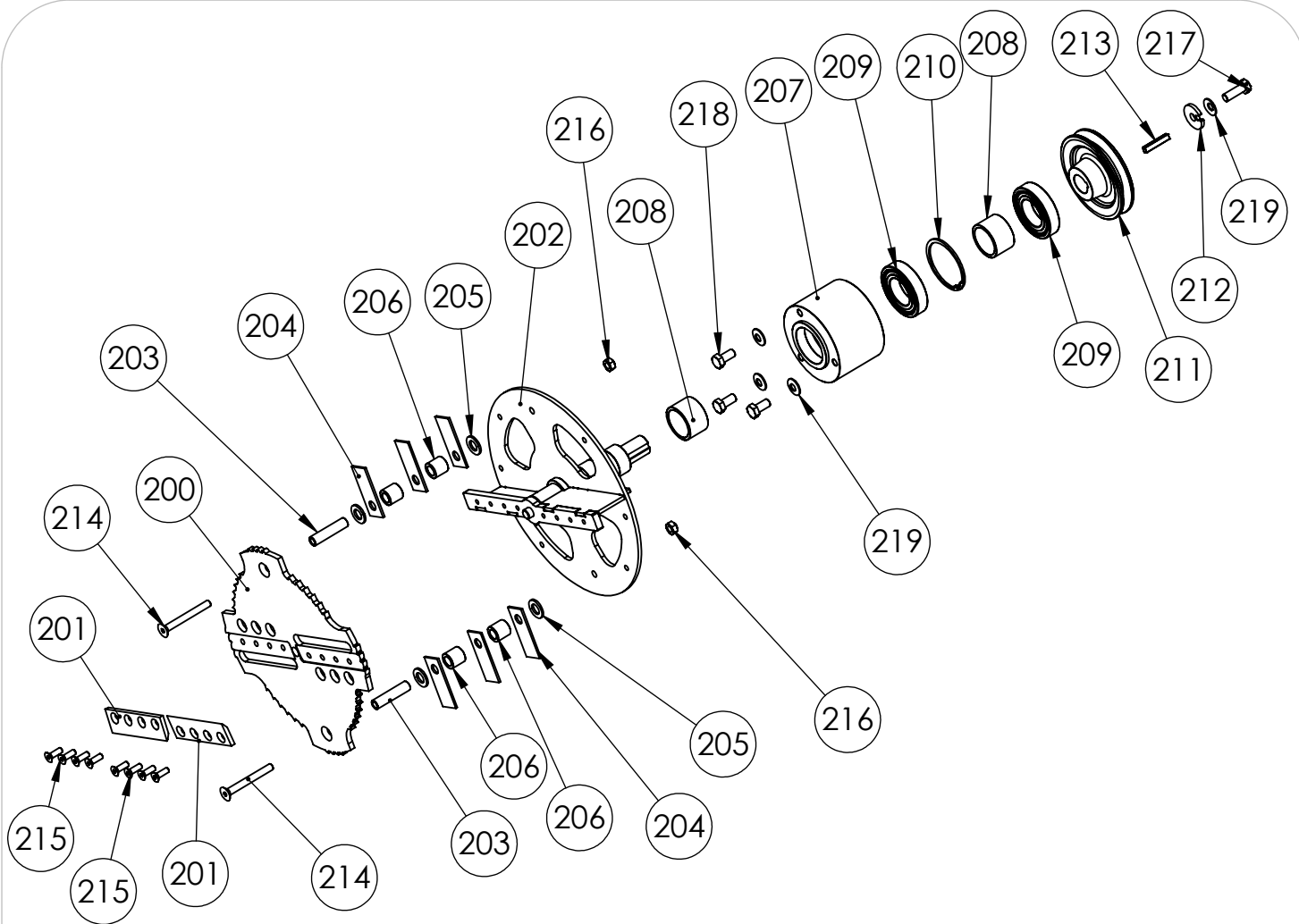
*BROYEUR DE VEGETAUX  
GARDEN SHREDDER*



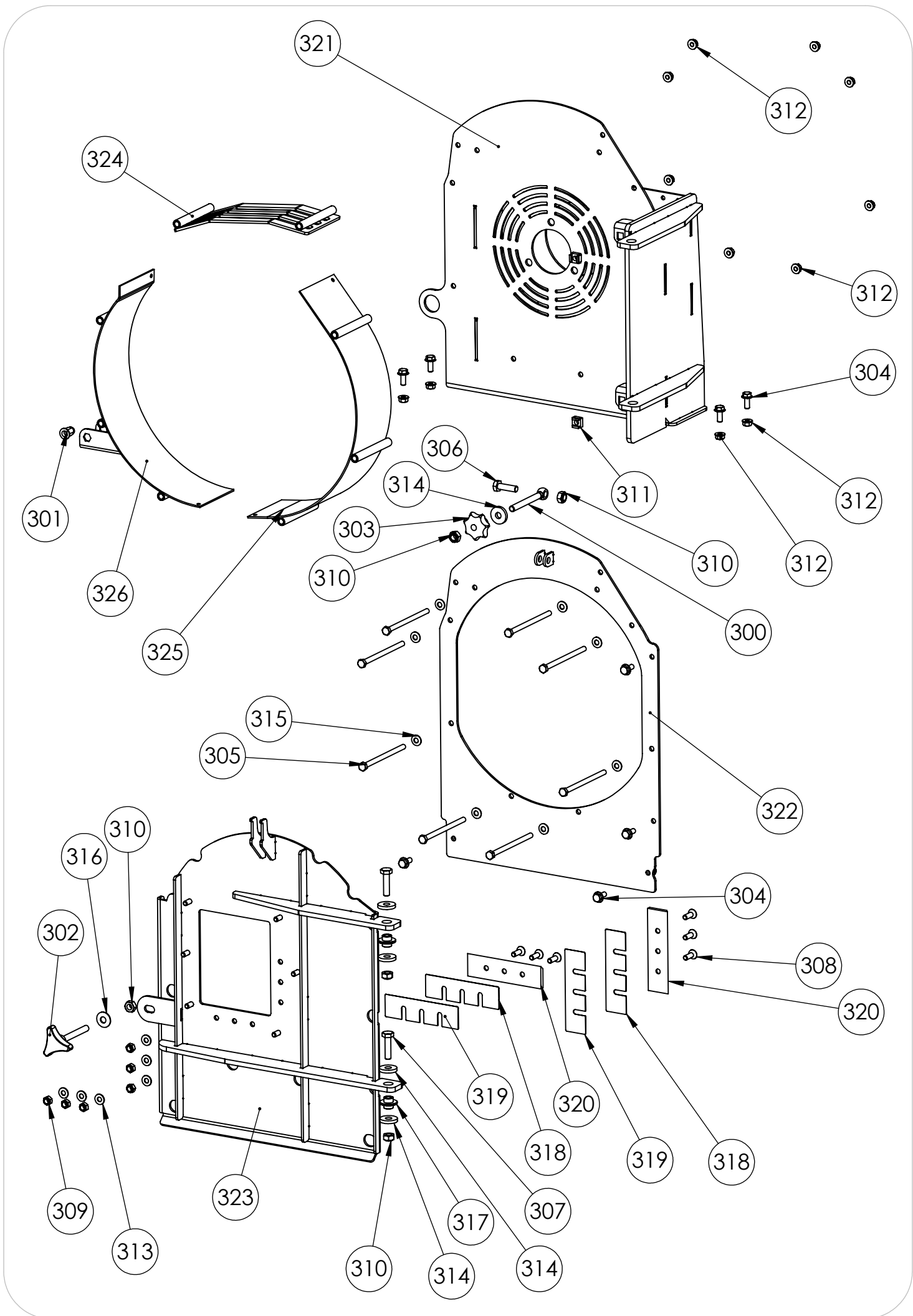
Rep N°	Ref.	Désignation	Description	Qté
1	0300210602	ECROU FREIN M 6 Z DIN 985-8	BLOCKING NUT M 6 Z	3
2	0306030103	COURROIE B25.5	BELT B25.5	1
3	0309000069	ROUE DIAM250 ALS 20 NOIR	RT WHEEL Ø250 BORE 20	2
4	K300010829	VIS EMB CR 8 x 12 ZN	SCREW HM 8x12 NOTCHED SHOULDER	2
5	K300402001	RONDELLE PLATE 20 X 36 X 3	PLATE WASHER 20 X 36 X 3	4
6	K300702001	ENJOLIVEUR Ø20	TRIM STOPPER	2
7	K302020133	ENTRETOISE 21 x 25 x 25	ROUND SPACER 21 x 25 x 25	2
8	K342000017	PIED SILENTBLOC Ø30 H22	ANTIVIBRATION BASE Ø 30 H22	2
9	K503000003-	AUTOCOLLANT DISTANCE DE SECURITE	STICKER "SECURITY DISTANCE"	1
10	K503000015-	AUTOCOLLANT LIRE LA NOTICE	STICKER " READ THE MANUAL BEFORE USE"	1
11	K503000059-	AUTOCOLLANT LUNETTE DE PROTECTION CASQUE + GANTS	STICKER " PROTECTIVE EYE WEAR+HELMETT +GLOVES"	1
12	K503000060-	AUTOCOLLANT DANGER LAME EN ROTATION	STICKER "CAUTION ROTATING BLADE "	2
13	K503000061-	AUTOCOLLANT NE PAS DEMONTER LE VOLET	STICKER " DON'T DISASSEMBLE HATCH"	1
14	K503000066-	AUTOCOLLANT ATTENDRE L'ARRET DES COMPOSANTS DU BROYEUR	STICKER "WAIT THE STOP OF ROTATING TOOL "	1
15	KL02061611	CAPOT COURROIE NOIR	BLACK BELT COVER	1



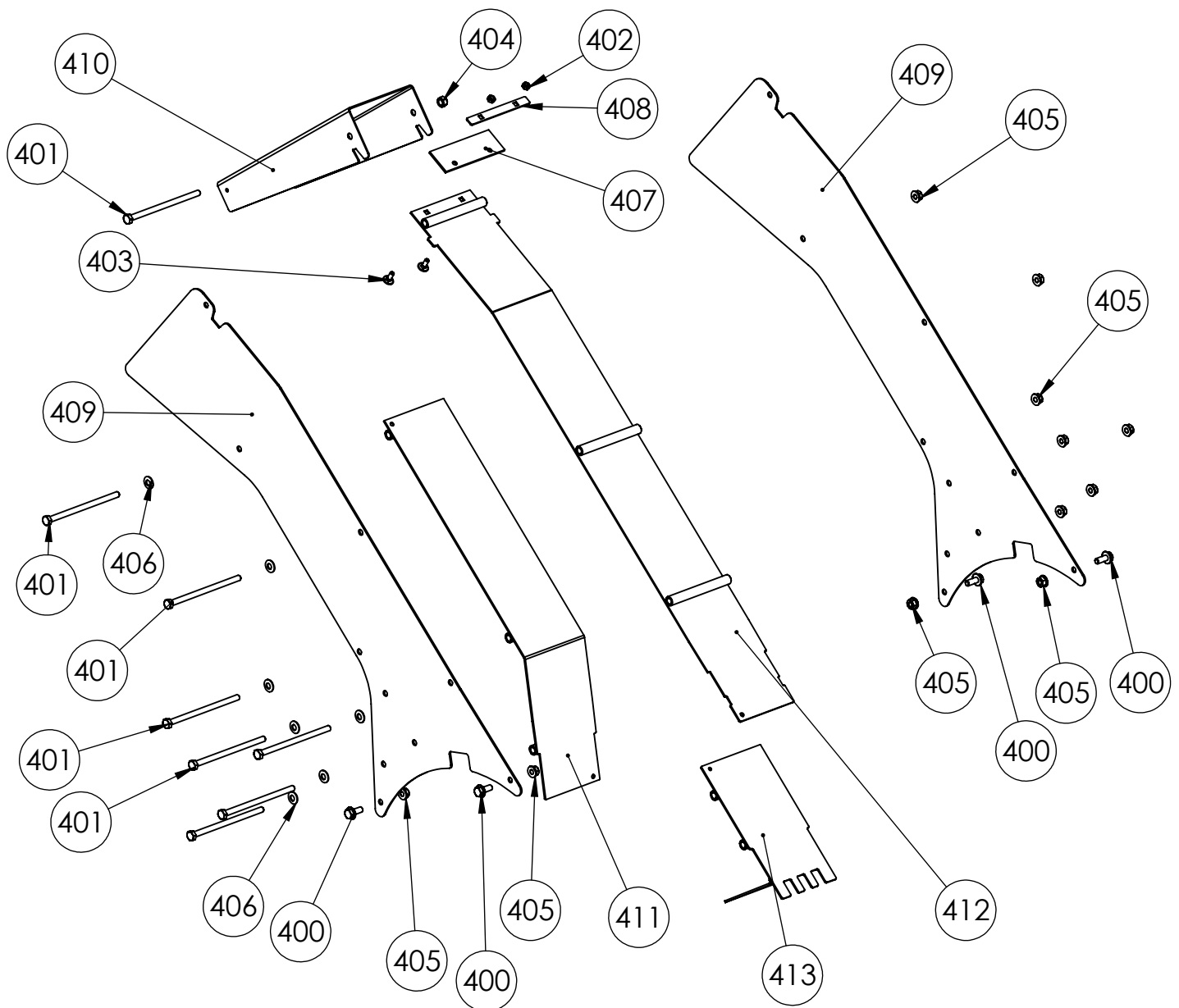
Rep N°	Ref	Désignation	Description	Qté/ GX390	Qté/ R390
100	0300011040	VIS TH 8 x 120 ZN ISO 4017	SCREW TH 8 x 120	1	1
101	0300060307	VIS TH UNF 3/8 x 1"1/4 CL8.8	"SCREW TH UNF 3/8 X 1"1/4	1	1
102	0300600802	INSERT A SERTIR HEX M8 OUVERT	Insert M8	1	1
103	0301040046	CLAVETTE DROIT 6.35 x 6.35 x48	KEY RIGHT END 6.35 X 6.35 X 48	1	1
104	0330011051	MOTEUR HONDA GX390 *	HONDA GX390 ENGINE *	1	-
104	0330091014	MOTEUR R390	ENGINE R390	-	1
105	0330012008	Déflexeur d'échappement GX	GX Exhaust deflector	1	-
106	0330012013	GRILLE ECHAP GX390	EXHAUST GRILL GX390	1	-
107	K300010623	VIS HM 6 x 40 ZN	SCREW HM 6 x 40	-	1
108	K300011012	VIS TH 10 x 50 ZN	SCREW TH 10 X 50 ZN	4	4
109	K300060503	VIS TH 5/16 UNF 3/4	SCREW TH 5/16 UNF 3/4	2	2
110	K300070601	VIS TOLE TCL POZ 6.3 x 13 ZN	SCREW TCL POZ 6.3 X 13 ZN	3	-
111	K300260601	ECROU H M6 Z EMB CR	NUT H M6 Z NOTCHED SHOULDER	-	1
112	K300261001	ECROU H M10 EMB CR	NUT H M10 NOTCHED SHOULDER	4	4
113	K300400601	RONDELLE PLATE 18 x 6.25 x 1.2 ZN	WASHER 18 X 6.25 X 1.2 ZN	-	1
114	K300400802	RONDELLE PLATE 18 x 8 x 1.5	WASHER 18 X 8 X 1.5	1	1
115	K300430801	RONDELLE CONTACT M8	WASHER M8	2	2
116	K300431001	RONDELLE CONTACT M 10	WASHER M10	5	5
117	K302020132	ENTRETOISE 26 x 35 x 34.2	SPACER 26 x 35 x 34.2	1	1
118	K302020137	ENTRETOISE Ø 6.2 x 16 x 27	SPACER Ø 6.2 x 16 x 27	-	1
119	K302030116	POULIE Ø PRIM 112	PULLEY Ø PRIM 112	1	1
120	K308060034	FAISCEAU COUPE CIRCUIT	ELECTRIC BRAKER	1	-
120	K308060035	FAISCEAU COUPE CIRCUIT	ELECTRIC BRAKER	-	1
121	KL02060202	RONDELLE POULIE MOTEUR	ENGINE PULLEY WASHER	1	1
122	KL02060203	TENDEUR DE COURROIE PLIE	BELT TENSIONER	1	1
123	KL02061601	CARTER CAPOT COURROIE NOIR	BLACK COVER	1	1
124	KL02061602	CHASSIS NOIR	BLACK FRAME	1	1
125	K304000657	CALE CONTRE COUTEAUX EP 0.5	WEDGE THICKNESS 0.5	2	2
126	K304000656	CALE CONTRE COUTEAUX EP1	WEDGE THICKNESS 1	2	2
127	K300010830	VIS H 8 x 16 EMB CR	SCREW H 8 x 16 NOTCHED SHOULDER	1	1
128	K300260801	ECROU H M8 EMB CR	NUT H M8 NOTCHED SHOULDER	1	1



Rep N°	Ref	Désignation	Description	Qté
200	KL03060002	DISQUE SUP COUTEAUX FRAISE	KNIFE SUPPORT DISC	1
201	K320020033	COUTEAU	KNIFE	2
202	KL03060001	ROTOR + ARBRE	SHAFT AND ROTOR	1
203	K302010110	AXE COUTEAUX	KNIVES AXLE	2
204	K304000634	COUTEAU ARRIERE ROTOR	ROTOR REAR KNIFE	6
205	0300401602	RONDELLE PLAT 17 x 30 x 3 ZN	WASHER 17 x 30 x 3	4
206	K302020130	ENTRETOISE 15.2 x 25 x 24.1	SPACER 15.2 x 25 x 24.1	4
207	K302030114	PALIER	BEARING HUB	1
208	K302020131	ENTRETOISE 45.2 x 55 x 35	SPACER 45.2 x 55 x 35	2
209	0306010075	ROULEMENT 6209-2RS	BEARING 6209-2RS	2
210	0301070040	CIRCLIPS INTERIEUR DE 85	EXTERNAL RETAITING RING 85	1
211	K302030115	POULIE Ø PRIM 132	PULLEY Ø PRIM 132	1
212	KL02060201	RONDELLE POULIE ROTOR ZN	ROTOR PULLEY WASHER	1
213	0301040045	CLAVETTE B. DROIT 8 x 7 x 45	KEY 8 x 7 x 45	1
214	0300031003	VIS TFHC M10 x 90 10.9	SCREW TFHC M10X90	2
215	K300030801	VIS TF HC M8 x 25 10.9	SCREW TF HC M8 x 25 10.9	8
216	K300211001	ECROU FREIN M10	BLOCKING NUT M10	2
217	0300091202	VIS A GAUCHE TH 12 x 35 8.8ZN	SCREW TH 12 X 35 ZN LH	1
218	K300011204	VIS TH 12 x 25 ZN	SCREW TH 12 X 25 ZN	3
219	K300431201	RONDELLE CONTACT M12 NFE 25-511 ZN	Elastic washer 12 Bic	4

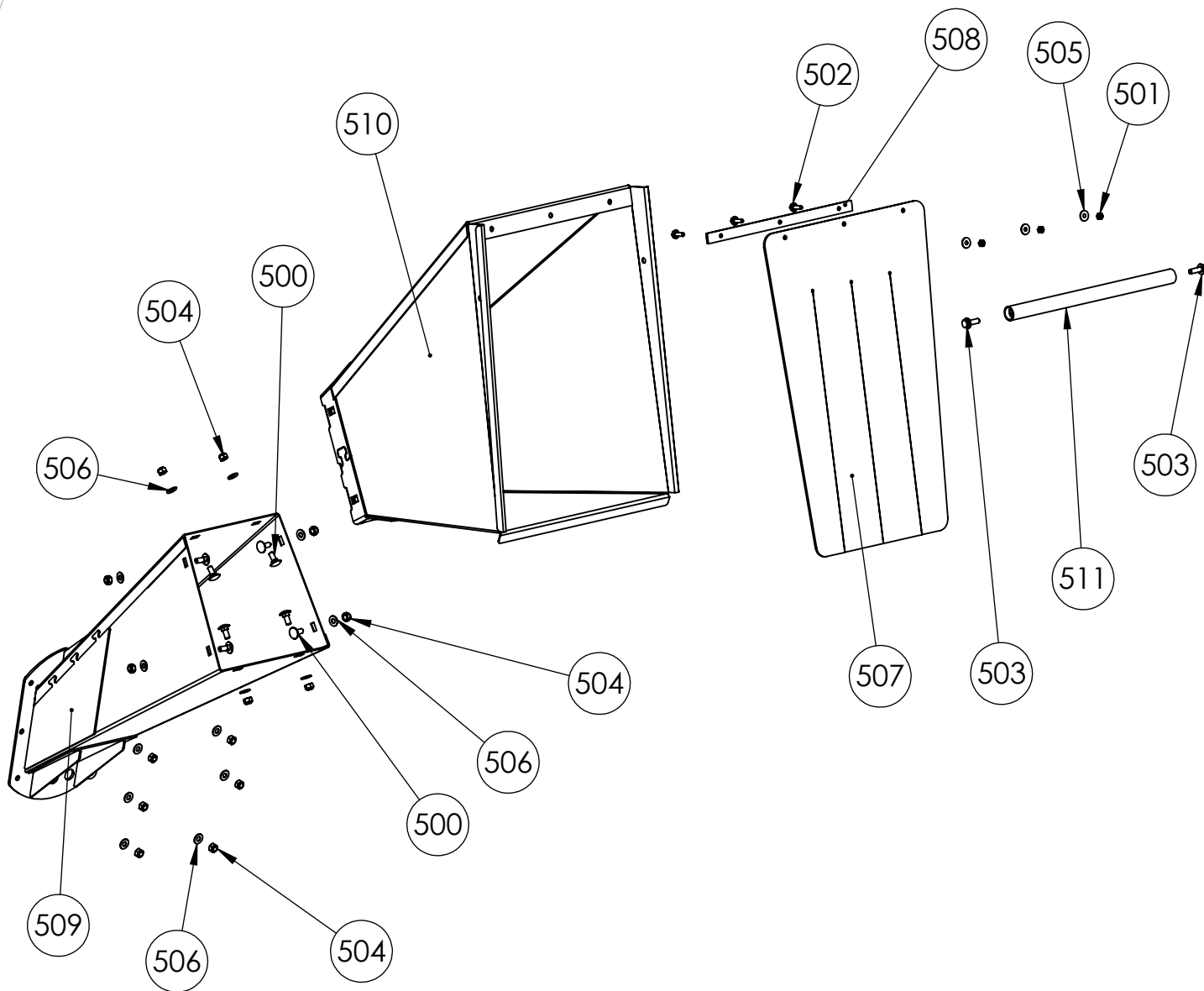


Rep N°	Ref	Désignation	Description	Qté
300	0300091005	BOULON A OEIL M10 x 100	EYE BOLT M10 x 100	1
301	0300601001	INSERT HEXAGONAL M10	SOCKET HEXAGONAL M10 FLAT HEAD	1
302	0300801002	MOLETTE REGLAGE HAUT. M10 x 82	HEIGHT LEVEL ADJUSTMENT M10	1
303	0300801003	MOLETTE M10	HANDLE M10	1
304	0300010816	VIS H 8x20 Z EMB CR	SCREW H M8X20 Z	8
305	K300010834	VIS TH 8 x 130 ZN	SCREW TH 8 x 130 ZN	8
306	K300011010	VIS HM 10 x 35	SCREW HM 10 x 35	1
307	K300011011	VIS HM 10 x 40	SCREW H 10 X 40	2
308	K300030801	VIS TF HC M8 x 25 10.9	SCREW TF HC M8 x 25 10.9	6
309	K300210801	ECROU FREIN H M8	NUT,NYLOC M8	6
310	K300211001	ECROU FREIN M10	BLOCKING NUT M10	5
311	K300230802	ECROU ' RAPID' DE 8 C4808 B	NUT RAPID M8 C 4808B	2
312	K300260801	ECROU H M8 EMB CR	NUT H M8 NOTCHED SHOULDER	14
313	K300400802	RONDELLE PLATE 18 x 8 x 1.5	WASHER 18 X 8 X 1.5	6
314	K300401103	RONDELLE PLATE 30 x 11 x 5 ZN	WASHER 30 X 11 X 5 ZN	5
315	K300430801	RONDELLE CONTACT M8	WASHER M8	8
316	K300431002	RONDELLE CONTACT LARGE DE 10	WASHER D 10	1
317	K302020134	ENTRETOISE PORTE	DOOR SPACER	2
318	K304000656	CALE CONTRE COUTEAUX EP1	WEDGE THICKNESS 1	2
319	K304000657	CALE CONTRE COUTEAUX EP 0.5	WEDGE THICKNESS 0.5	2
320	K320020034	CONTRE COUTEAU	CONTRA ROTATIONG KNIVES	2
321	KL02060601	CARTER ARRIERE ROUGE RAL3002	RED RAL3002 REAR HOUSING	1
322	KL02060602	CARTER AVANT ROUGE RAL3002	RED RAL3002 FRONT HOUSING	1
323	KL02060606	PORTE ROUGE RAL3002	RED RAL3002 DOOR	1
324	KL02061607	GRILLE EJECTION NOIRE	BLACK EJECTMENT GATE	1
325	KL02061608	2 e FLANC CARTER NOIRE	BLACK 2ND PART	1
326	KL02061609	1 E PARTIE FLANC CARTER NOIRE	BLACK 1ST PART	1



Rep N°	Ref	Désignation	Description	Qté
400	0300010816	VIS H 8x20 Z EMB CR	SCREW H M8X20 Z	4
401	0300010860	VIS TH 8 x 130 ZN	SCREW TH 8 x 140 ZN	8
402	0300210602	ECROU FREIN M 6 Z DIN 985-8	BLOCKING NUT M 6 Z	2
403	K300080601	VIS TRCC 6 x 16	SCREW TRCC 6 x 16	2
404	K300210801	ECROU FREIN H M8	NUT,NYLOC M8	1
405	K300260801	ECROU H M8 EMB CR	NUT H M8 NOTCHED SHOULDER	11
406	K300430801	RONDELLE CONTACT M8	WASHER M8	7
407	K342000018	BAVETTE EJECTION	EJECTION FLAP	1
408	KL02060205	BRIDE BAVETTE EJECTION ZN	FLAP FLANGE	1
409	KL02060603	FLANC EJECT. ROUGE RAL3002	RED EJECTMENT DISCHARGE SPOUT	2
410	KL02061603	VOLET GOULOTTE EJECTION NOIR	BLACK SHUTTER	1
411	KL02061604	PARTIE INF GOULOT. EJEC. NOIRE	BLACK LOWER PART	1
412	KL02061605	PARTIE SUP GOULOT EJEC. NOIRE	BLACK HIGHER PART	1
413	KL02061606	TOLE DEVIATION EJECTION NOIRE	BLACK DRIFT EJECTION PART	1





Rep N°	Ref	Désignation	Description	Qté
500	0300080804	VIS TRCC 8 X 20 Z DIN603	Screw TRCC M8x0 z DIN 603	8
501	0300210602	ECROU FREIN M 6 Z DIN 985-8	BLOCKING NUT M 6 Z	3
502	K300010619	VIS H 6 x 20 EMB CR	SCREW H NOTCHED SHOULD. 6 X 20	3
503	K300010801	VIS H EMB CR 8 x 25	SCREW H NOTCHED SHOULDER 8 X 25	2
504	K300210801	ECROU FREIN H M8	NUT,NYLOC M8	14
505	K300400601	RONDELLE PLATE 18 x 6.25 x 1.2 ZN	WASHER 18 X 6.25 X 1.2 ZN	3
506	K300400802	RONDELLE PLATE 18 x 8 x 1.5	WASHER 18 X 8 X 1.5	14
507	K342000019	BAVETTE GOULOTTE	FLAP	1
508	KL02060206	BRIDE DE BAVETTE ZN	FLAP FLANGE	1
509	KL02060604	GOULOT. PART.INF ROUGE RAL3002	RED LOWER PART DISCHARGE SPOUT	1
510	KL02060605	GOULOT.PART. SUP ROUGE RAL3002	RED UPPER PART DISCHARGE SPOUT	1
511	KL02061610	TUBE POIGNEE NOIR	BLACK HANDLE TUBE	1