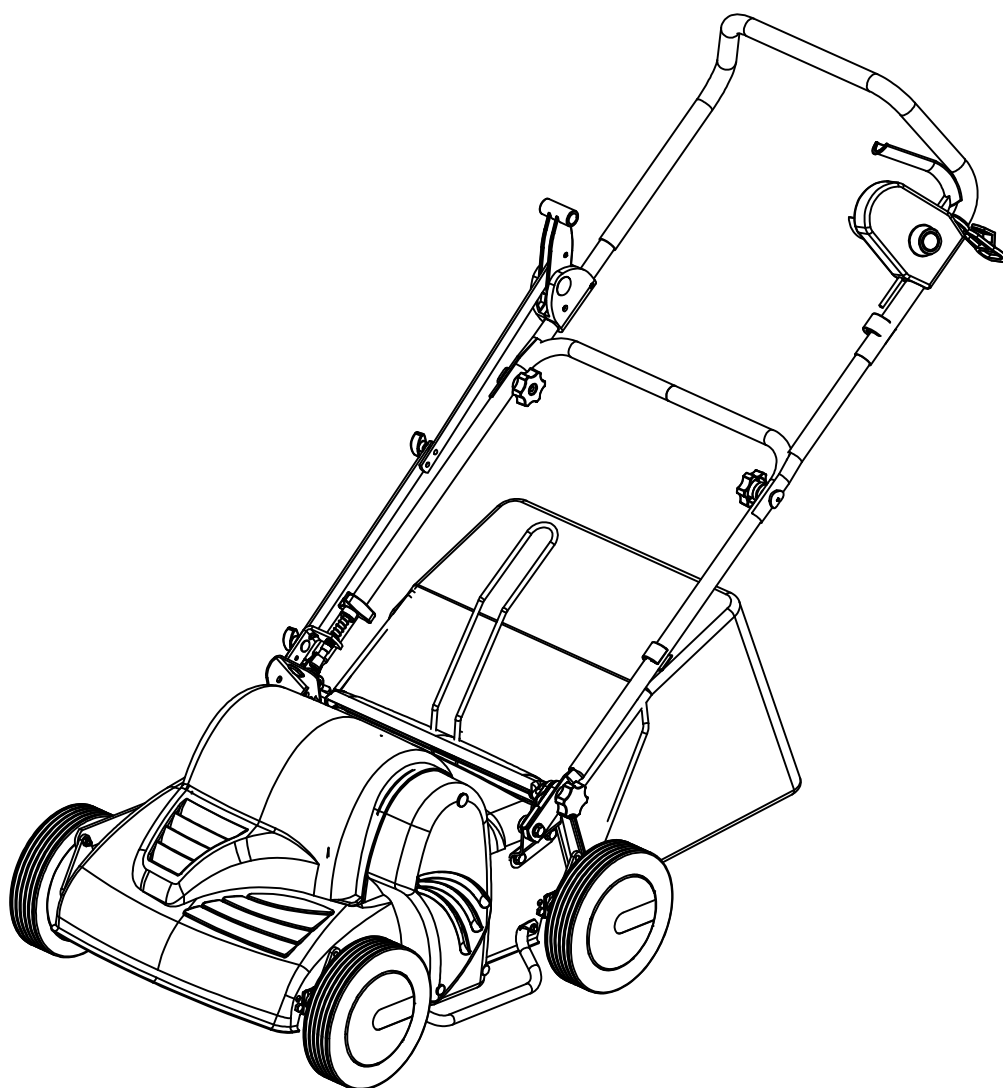
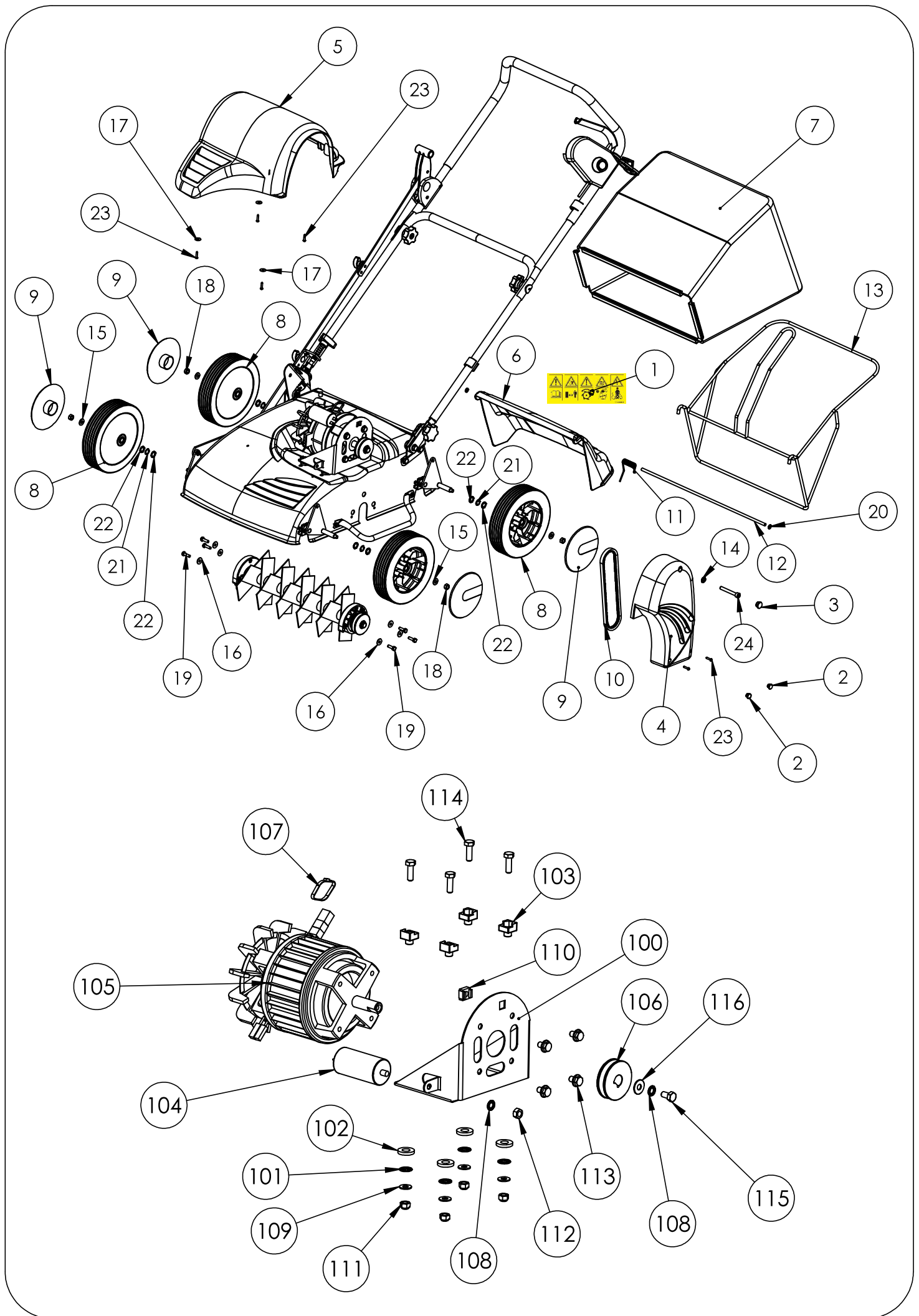


Pièces de rechange Spare parts list

K10007****

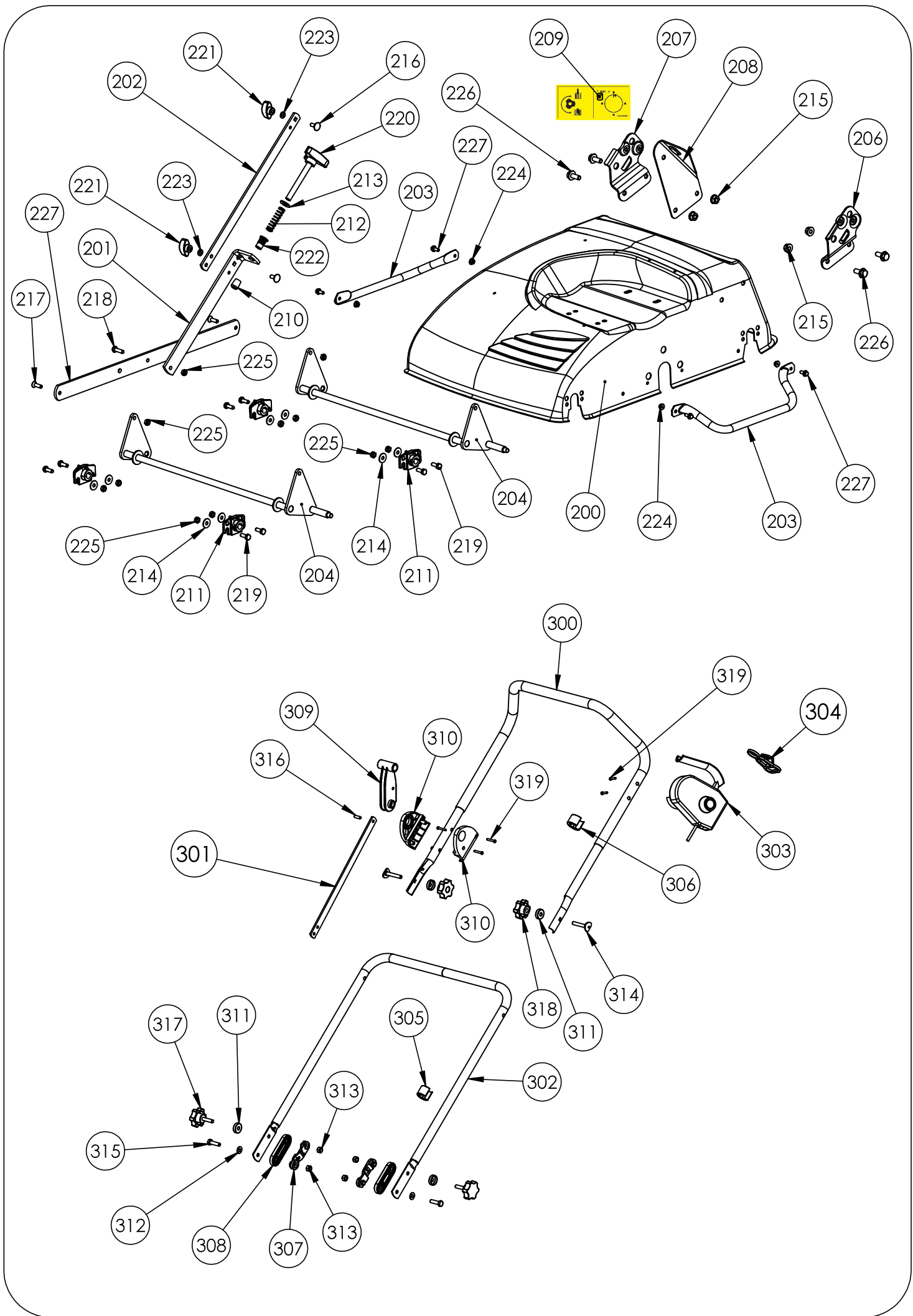


**SCARIFICATEUR
SCARIFIER**



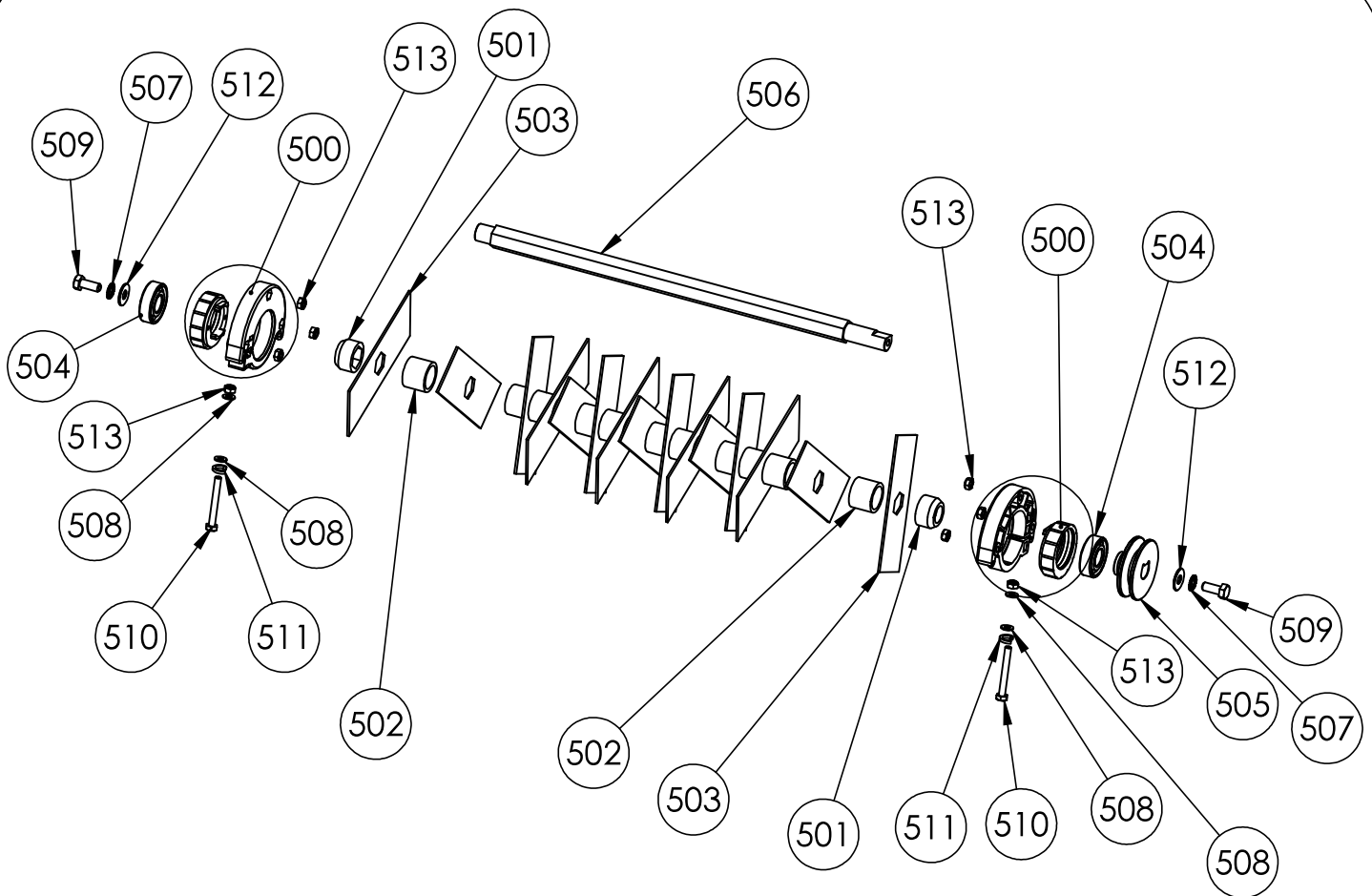
Rep N°	Ref	Désignation	Description	Qté
1	K503000070	AUTOCOLLANT SECURITE	SAFETY STICKER	1
2	K340000088	CACHE CAPOT COURROIE Ø9.5	COVER BELT COVER Ø9.5	2
3	K340000087	CACHE CAPOT COURROIE Ø14.5	COVER BELT COVER Ø14.5	1
4	K340000086	CAPOT COURROIE	BELT COVER	1
5	K340000085	CAPOT MOTEUR ST	BOX MOTOR ST	1
6	K340000084	VOLET SCARIF 38	FLAP SCARIF 38	1
7	K320070006	PANIER	GRASS BAG	1
8	K309000045	ROUE Ø 200	WHEEL Ø 200	4
9	K309000016	ENJOLIVEUR BLANC Ø133	WHITE TRIM Ø133	4
9	K309000034	ENJOLIVEUR ROUGE Ø133	RED TRIM Ø133	4
9	K309000017	ENJOLIVEUR NOIR Ø133	BLACK TRIM Ø133	4
9	K309000048	ENJOLIVEUR VERT Ø133	GREEN TRIM Ø133	4
10	K306030048	COURROIE OPTIBELT VB Z562	BELT VB Z562	1
11	K305010024	RESSORT VOLET	SPRING FOR BACK SHUTTER	1
12	K305000056	AXE VOLET	AXLE FOR BACK SHUTTER	1
13	K305000055	ARMATURE PANIER	FRAME	1
14	K300440801	RONDELLE AZ 8	WASHER AZ 8	1
15	K300400802	RONDELLE PLATE 18 x 8 x 1.5	WASHER 18 X 8 X 1.5	4
16	K300400601	RONDELLE PLATE 18 x 6.25 x 1.2 ZN	WASHER 18 X 6.25 X 1.2 ZN	6
17	K300400501	RONDELLE PLATE 16X5.25X1	PLATE WASHER 16X5.25X1	3
18	K300200801	ECROU HU M8	NUT HU M8	4
19	K300010613	VIS TH 6 x 20 ZN	SCREW TH 6 x 20	6
20	0300460701	RONDELLE GRIFFE Ø7	CLAW WASHER Ø7	2
21	0300421202	RONDELLE ELASTIQUE ONDULEE	WASHER WAVY	4
22	0300411302	RONDELLE SERRAGE 12X18X1	SHIM 12X18X1	8
23	0300070301	VIS TOLE 3.9 x 19	SCREW 3.9 x 19	6
24	0300020809	VIS CHC 8 X 60 Z DIN 912 8.8	SCREW CHC 8 X 60 Z DIN 912 8.8	1

Rep N°	Ref	Désignation	Description	Qté
100	KI02071601	SUPPORT MOTEUR NOIR	BLACK MOTOR SUPPORT	1
101	K340000094	RONDELLE MOTEUR	WASHER MOTOR	4
102	K340000076	RONDELLE ISOLANTE MOTEUR	WASHER INSULATING ENGINE	4
103	K340000075	RONDELLE ISOLANTE CARRE	WASHER ISOLATING SQUARE	4
104	K331020201	CONDENSATEUR 25µF 450V	CAPACITOR 25µF 450V	1
105	K331020101	MOTEUR ELECTRIQUE 1800 W	ELECTRIC ENGINE 1800 W	1
106	K302030105	POULIE	PULLEY	1
107	K301060002	COLLIER PLASTIQUE NOIR	TIE-CABLE	1
108	K300440801	RONDELLE AZ 8	WASHER AZ 8	2
109	K300400802	RONDELLE PLATE 18 x 8 x 1.5	WASHER 18 X 8 X 1.5	4
110	K300230802	ECROU ' RAPID' DE 8 C4808 B	NUT RAPID M8 C 4808B	1
111	K300210801	ECROU FREIN H M8	NUT,NYLOC M8	4
112	K300200801	ECROU HU M8	NUT HU M8	1
113	K300010829	VIS EMB CR 8 x 12 ZN	SCREW HM 8x12 NOTCHED SHOULDER	4
114	K300010817	VIS TH 8 x 25 ZN	SCREW TH 8 X 25 ZN	4
115	K300010814	VIS H M8 x 16	SCREW H M8 X 16	1
116	0300400803	RONDELLE LARGE M8 8x22x1.5 Z	FENDER WASHER 8x22x1.5 ZN	1



Rep N°	Ref	Désignation	Description	Quantité
200	KI02073601	CARTER BLEU ST PANT 301	BLUE DECK ST PANT 301	1
200	KI02072601	CARTER ORANGE ST RAL 2004	ORANGE DECK ST RAL 2004	1
200	KI02060601	CARTER ROUGE ST RAL 3002	RED DECK ST RAL 3002	1
200	KI02072101	CARTER VERT ST RAL 6029	GREEN DECK ST RAL 6029	1
200	KI02070901	CARTER JAUNE ST RAL 1021	YELLOW DECK ST RAL 1021	1
201	KI02061613	BARRE DE RELEVAGE INF NOIRE	BLACK LOWER LIFTING BAR	1
202	KI02061612	BARRE DE RELEVAG.INTER. NOIRE	BLACK MIDDLE LIFTING BAR	1
203	KI02061610	TUBE PROTECTION LATERAL NOIR	BLACK SIDE PROTECTION	2
204	KI02061607	ESSIEU NOIR	BLACK AXLE	2
227	KI02061606	BARRE DE RELEVAGE ESSIEU NOIRE	BLACK LIFTING AXLE BAR	1
206	KI02061603	SUPPORT DE GUIDON GAUCHE NOIR	BLACK LEFT HANDLEBAR SUPPORT	1
207	KI02061602	SUPPORT DE GUIDON DROIT NOIR	BLACK RIGHT HANDLEBAR SUPPORT	1
208	KI02061601	BUTEE REGLAGE HAUTEUR NOIR	BLACK STOP HEIGHT ADJUSTMENT	1
209	K503000069	AUTOCOLLANT REGLAGE HAUTEUR	HEIGHT SETTING STICKER	1
210	K341000006	EMBOUT ROND ENVELOPPANT	PLASTIC CAP	1
211	K340000081	PALIER ESSIEU	BEARING AXLE	4
212	K305020012	RESSORT MOLETTE REGLAG.HAUTEUR	HEIGHT ADJUST SPRING	1
213	K300401004	RONDELLE PLATE 10 x 20 x 2 ZN	PLATE WASHER 10 x 20 x 2	1
214	K300400601	RONDELLE PLATE 18 x 6.25 x 1.2 ZN	WASHER 18 X 6.25 X 1.2 ZN	8
215	K300260801	ECROU H M8 EMB CR	NUT H M8 NOTCHED SHOULDER	4
216	K300080601	VIS TRCC 6 x 16	SCREW TRCC 6 x 16	2
217	K300030604	VIS TF HC M6 x 20 10.9	SCREW TF HC M6 x 20 10.9	2
218	K300010613	VIS TH 6 x 20 ZN	SCREW TH 6 x 20	1
219	K300010605	VIS H M6 x 16 ZN	SCREW HM 6 x 16	8
220	0300801002	MOLETTE REGLAGE HAUT. M10 x 82	HEIGHT LEVEL ADJUSTEMENT M10	1
221	0300800601	MOLETTE DE SERRAGE M6	KNOB M6	2
222	0300601002	ECROU A SERTIR M10	INSERT M10	1
223	0300440601	RONDELLE EVENTAIL 6 Z	TOOTH LOCKWASHER 6Z	2
224	0300260501	ECROU HM 5 ZEMB CR DIN 6923-8	NUT H M5 Z NOTCHED SHOULDER	4
225	0300210602	ECROU FREIN M 6 Z DIN 985-8	BLOCKING NUT M 6 Z	11
226	0300010816	VIS H 8x20 Z EMB CR	SCREW H M8X20 Z	4
227	0300010505	VIS H 5 x 12 EMB CR	SCREW H NOTCHED SHOULDER 5x12	4

Rep N°	Ref	Désignation	Description	Qté
300	KI02071602	GUIDON SUPERIEUR ISOLE	UPPER HANDLE ISOLATED	1
301	KI02061611	BARRE RELEVAGE SUPERIEUR NOIR	BLACK SUPERIOR LIFTING BAR	1
302	KI02061609	GUIDON INFERIEUR NOIR	BLACK LOWER HANDLE	1
303	K350000004	LEVIER ELECTRIQUE + CABLE	ELECTRIC LEVER + CABLE	1
304	K341000031	ACCROCHE RALLONGE ELECTRIQUE	GRIP EXTENSION ELECTRIC	1
305	K340000092	ACCROCHE FIL Ø22	CLAMP CABLE Ø22	1
306	K340000091	ACCROCHE FIL Ø25	CLAMP CABLE Ø25	1
307	K340000090	PLAQUE ISOLANTE INTERIEURE	INTERIOR INSULATING PLATE	2
308	K340000089	PLAQUE ISOLANTE EXTERIEURE	OUTER INSULATING PLATE	2
309	K340000083	POIGNEE RELEVAGE HAUTEUR	HANDLE LIFT HEIGHT	1
310	K340000082	SUPPORT POIGNEE RELEVAGE	LEVEL SUPPORT	2
311	K300410802	RONDELLE MOLETTE GUIDON	RING WHEEL HANDLEBAR	4
312	K300400802	RONDELLE PLATE 18 x 8 x 1.5	WASHER 18 X 8 X 1.5	2
313	K300210801	ECROU FREIN H M8	NUT,NYLOC M8	4
314	K300090803	VIS TP PLI22 M8 X 50/27 ZN	SCREW TP PLI22 M8 X 50/27 ZN	2
315	K300010818	VIS H M8 x 30	SCREW TH M8X30	2
316	0301090008	GOUPILLE ELASTIQUE 6 x 18	COTTER PIN 6 x 18	1
317	0300800804	MOLETTE M8x32	HANDLE M8x32	2
318	0300800803	MOLETTE AVEC ECROU M8	HANDLE WITH NUT M8	2
319	0300090407	VIS TBC PLASTIQUE 4 x 25	SCREW TBC PLASTIC 4 x 25	6



Rep N°	Ref	Désignation	Description	Qté
500	KZ01080001	SUPPORT + EXCENTRIQUE ROTOR	BUSHING + BEARING HOUSING	2
501	K340000078	ENTRETOISE HEXAGONALE ROTOR	HEXAGONAL ROTOR SPACER	2
502	K340000077	ENTRETOISE ROTOR	SPACER ROTOR	14
503	K320020029	COUTEAUX	KNIVES	15
504	K306010019	ROULEMENT 6203 2 RS	BEARING 6203 2 RS	2
505	K302030105	POULIE	PULLEY	1
506	K302010095	ARBRE ROTOR	ROTOR AXLE	1
507	K300440801	RONDELLE AZ 8	WASHER AZ 8	2
508	K300400603	RONDELLE PLATE 6 x 12 x 1.2 ZN	WASHER 6 x 12 x 1.2 ZN	4
509	K300010815	VIS H M8 x 20 ZN	SCREW HM 8 x 20	2
510	K300010608	VIS TH 6 x 50 ZN ISO 4017	SCREW TH 6 x 50	2
511	0300450601	Rondelle Grower M6	Washer Grower M6	2
512	0300400803	RONDELLE LARGE M8 8x22x1.5 Z	FENDER WASHER 8x22x1.5 ZN	2
513	0300210602	ECROU FREIN M 6 Z DIN 985-8	BLOCKING NUT M 6 Z	8